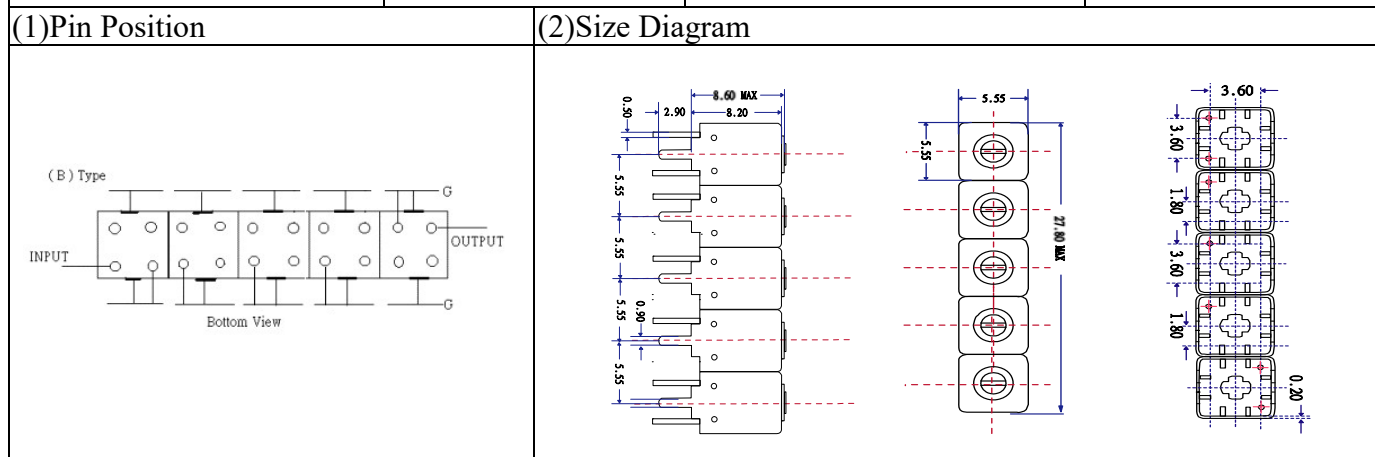


# VHF UHF Helical Filter Specification Sheet

Customer Name		Temwell's Part No.	TVW5415B-1900M
Approval No. /dated		Temwell,s print Name	5415B 1900M
Work Instruction No.	201911076CD	Date	Dec.23.2019



### (3) Electric Characteristic

Item	Specify	Performance	
Center Freq.(Fo) +/- 0.5 %	1900 MHz	1900 MHz	
Insertion Loss	Typ. 7.0 dB	5.97 dB	
-3 dB Bandwidth	Typ. 40 MHz	43.7 MHz	
Sensitivity (Attenuation)	Fo - 100 MHz	Typ. 56 dBc	66 dBc
	Fo + 100 MHz	Typ. 52 dBc	57 dBc
	Fo - ( )MHz	Typ. dBc	dBc
	Fo +( )MHz	Typ. dBc	dBc
Return Loss	Min. 12 dB	20.5 dB	
Ripple	< 1 dB	dB	
Impedance	In / Out : 50 Ω	In / Out : 50 Ω	

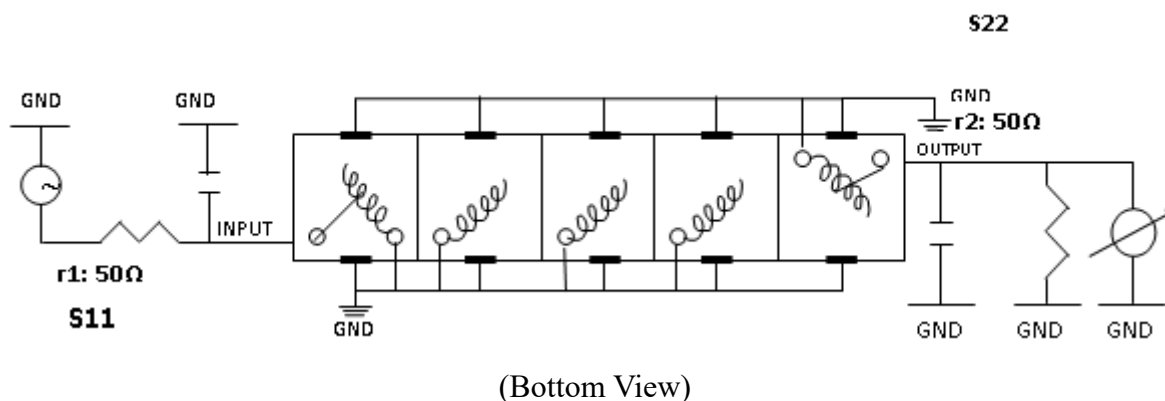
(4) Torque for Tuning Screw > 60gf · cm

### (5) Temperature Condition:

Operating Temperature	0°C ~ +60°C
Storage Temperature	-20°C ~ +70°C

(6) Input Power > 0.5Watt

(7) Measuring Circuit: ※Easy to match Impedance S11/S22 50Ω by parallel with about(- -).



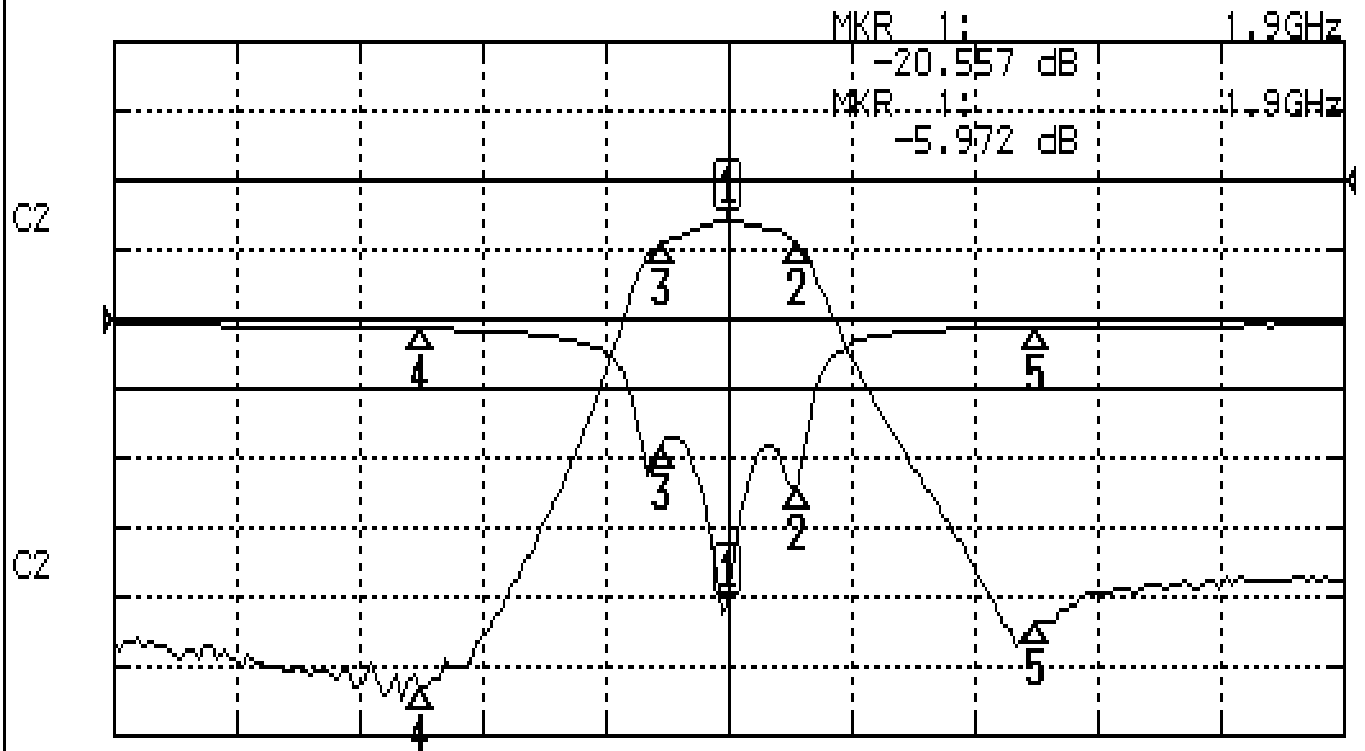
Approval	Supervisor	Designer	Aperture size
C.Y.Chang	C.K.Chang	M.Y.Kang	5W5S(3.8*4.0)(4.04) 5HW046RB3.2 (J1)

TEMWELL CORPORATION

# Performance-TVW5415B-1900M

## 201911076CD

CH1 S11 LOG MAG REF 0.000 dB 5.000 dB/  
CH2 S21 LOG MAG REF 0.000 dB 10.000 dB/



CENTER 1.9GHz

[ 10.00 dBm ]

SPAN 400MHz

### CH1 MARKER LIST

Marker	Freq (GHz)	Mag (dB)
1	1.900000	-20.557
2	1.922450	-11.796
3	1.878700	-9.176
4	1.800000	-0.658
5	2.000000	-0.560

### CH2 MARKER LIST

Marker	Freq (GHz)	Mag (dB)
1	1.900000	-5.972
2	1.922450	-8.960
3	1.878700	-8.938
4	1.800000	-72.739
5	2.000000	-63.779