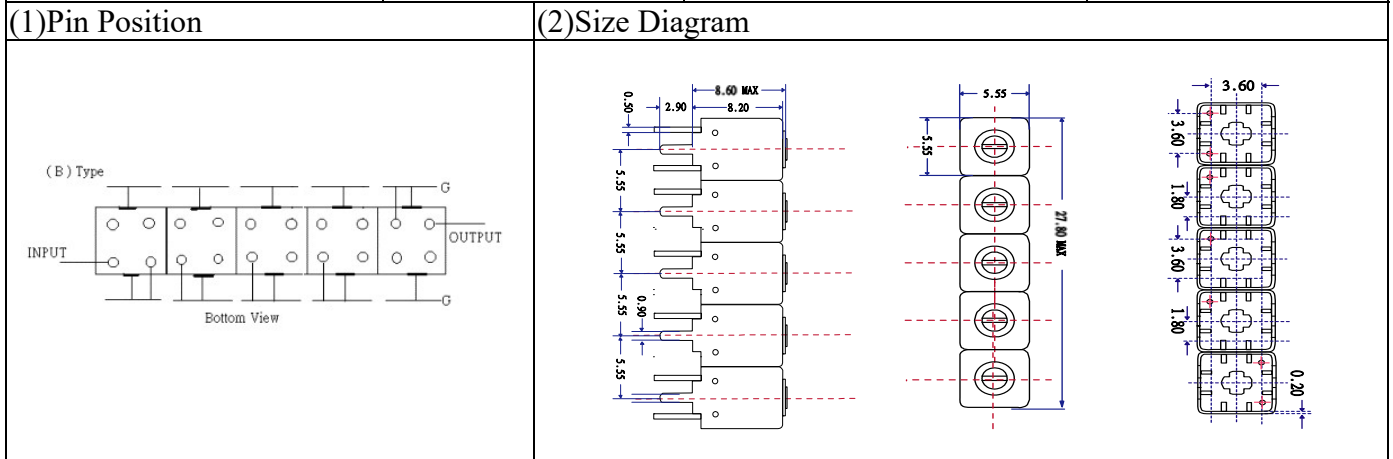


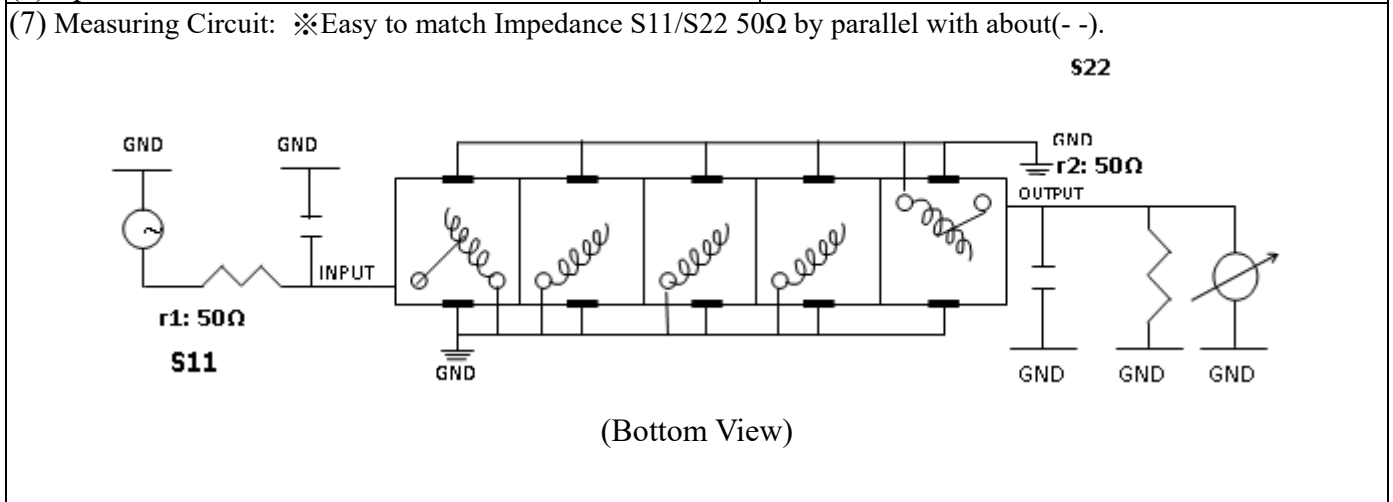
# VHF UHF Helical Filter Specification Sheet

Customer Name		Temwell's Part No.	TVW5413B-1962.5M
Approval No. /dated		Temwell,s print Name	5413B 1962.5M
Work Instruction No.	201911074CD	Date	Dec.11.2019



(3)Electric Charasteric			
Item	Specify	Performance	
Center Freq.(Fo ) +/- 0.5 %	1962.5 MHz	1962.5 MHz	
Insertion Loss	Typ. 5.0 dB	4.12 dB	
-3 dB Bandwidth	Typ. 65 MHz	69.1 MHz	
Sensitivity (Attenuation )	Fo - 100 MHz	Typ. 49 dBc	54 dBc
	Fo + 100 MHz	Typ. 39 dBc	44 dBc
	Fo - ( )MHz	Typ. dBc	dBc
	Fo +( )MHz	Typ. dBc	dBc
Return Loss	Min. 12 dB	30.1 dB	
Ripple	< 1 dB	dB	
Impedance	In / Out : 50 Ω	In / Out : 50 Ω	
(4)Torque for Tuning Screw	> 60gf • cm		

(5)Temperature Condition:	
Operating Temperature	0°C ~ +60°C
Storage Temperature	-20°C ~ +70°C
(6)Input Power	> 0.5Watt



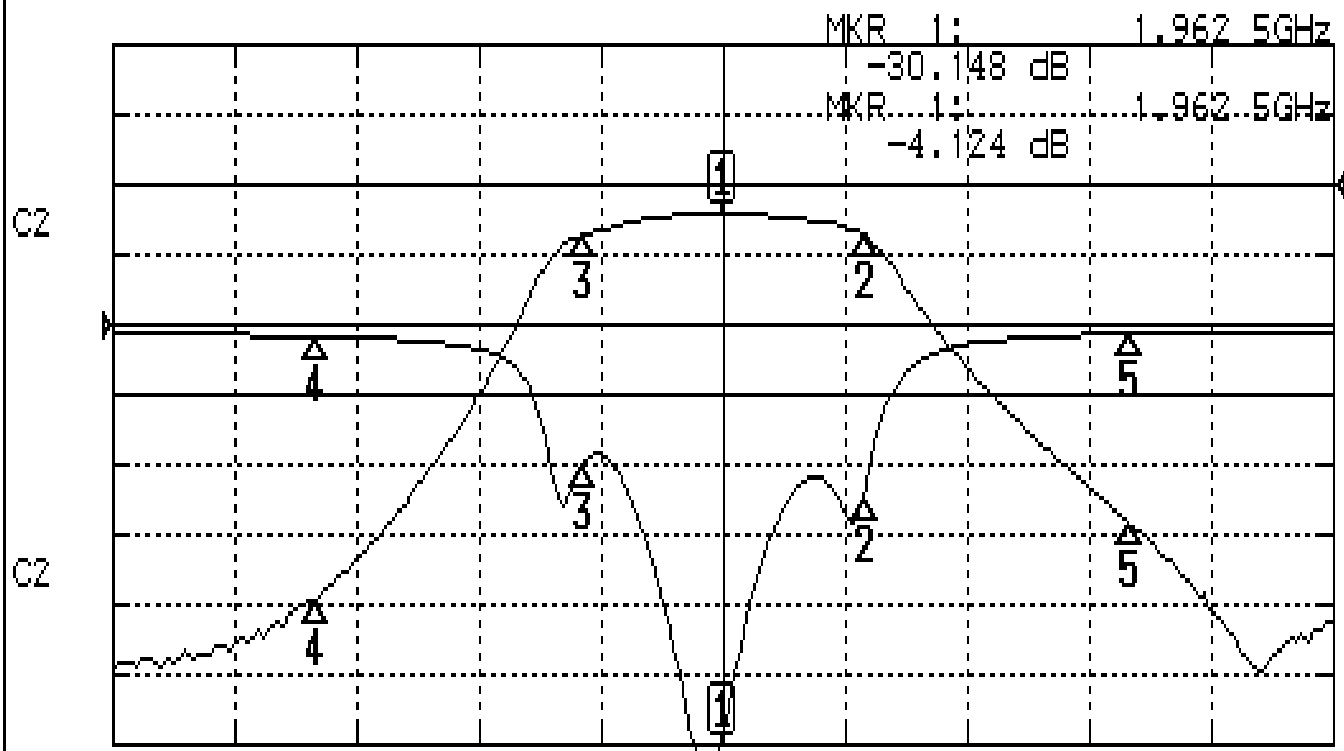
Approval	Supervisor	Designer	Aperture size
C.Y.Chang	C.K.Chang	M.Y.Kang	5W5S(3.8*4.5)(4.52) 5HW046RB3.2 (J1)

TEMWELL CORPORATION

# Performance-TVW5413B-1962.5M

## 201911074CD

**CH1** S11                      LOG MAG                      REF 0.000 dB                      5.000 dB/  
**CH2** S21                      LOG MAG                      REF 0.000 dB                      10.000 dB/



CENTER 1.962 5GHz

[ 10.00 dBm ]

SPAN 300MHz

### CH1 MARKER LIST

1	1.962	500GHz	-30.148	dB
2	1.997	100GHz	-12.172	dB
3	1.928	000GHz	-9.904	dB
4	1.862	500GHz	-0.822	dB
5	2.062	500GHz	-0.649	dB

### CH2 MARKER LIST

1	1.962	500GHz	-4.124	dB
2	1.997	100GHz	-7.170	dB
3	1.928	000GHz	-7.189	dB
4	1.862	500GHz	-58.965	dB
5	2.062	500GHz	-48.201	dB