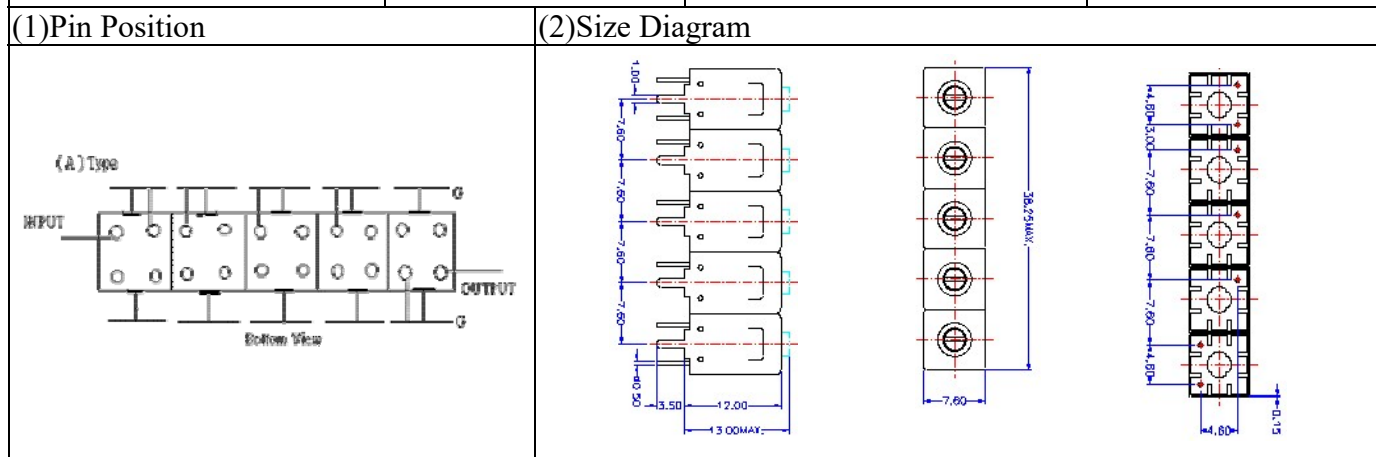


VHF UHF Helical Filter Specification Sheet

Customer Name		Temwell's Part No.	TV70878A-1140M
Approval No. /dated	202002051CD	Temwell's Print Name.	70878A 1140M
Work Instruction No.	202002051CD	Date	Mar.05.2020



(3)Electric Charasteric

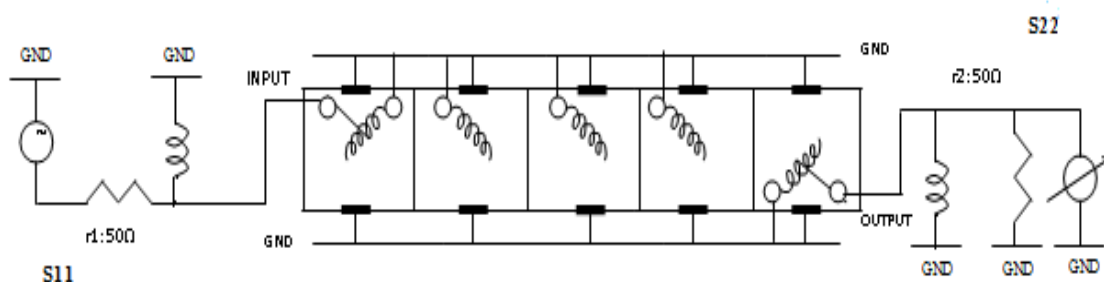
Item	Specify	Performance
Center Freq.(Fo) +/- 0.5 %	1140 MHz	1140 MHz
Insertion Loss	Typ. 4.0 dB	2.96 dB
-3 dB Bandwidth	Typ. 50 MHz	55.7 MHz
Sensitivity (Attenuation)	Fo - 100 MHz	Typ. 64 dBc
	Fo + 100 MHz	Typ. 46 dBc
	Fo - ()MHz	Typ. dBc
	Fo +()MHz	Typ. dBc
Return Loss	Min. 12 dB	25.5 dB
Ripple	< 1 dB	dB
Impedance	In / Out : 50 Ω	In / Out : 50 Ω
(4)Torque for Tuning Screw	> 60gf • cm	

(5)Temperature Condition:

Operating Temperature	0°C ~ +60°C
Storage Temperature	-20°C ~ +70°C

(6)Input Power

(7)Measuring Circuit: ※Easy to match Impedance S11/S22 50Ω by parallel with about(- -).



(Bottom View)

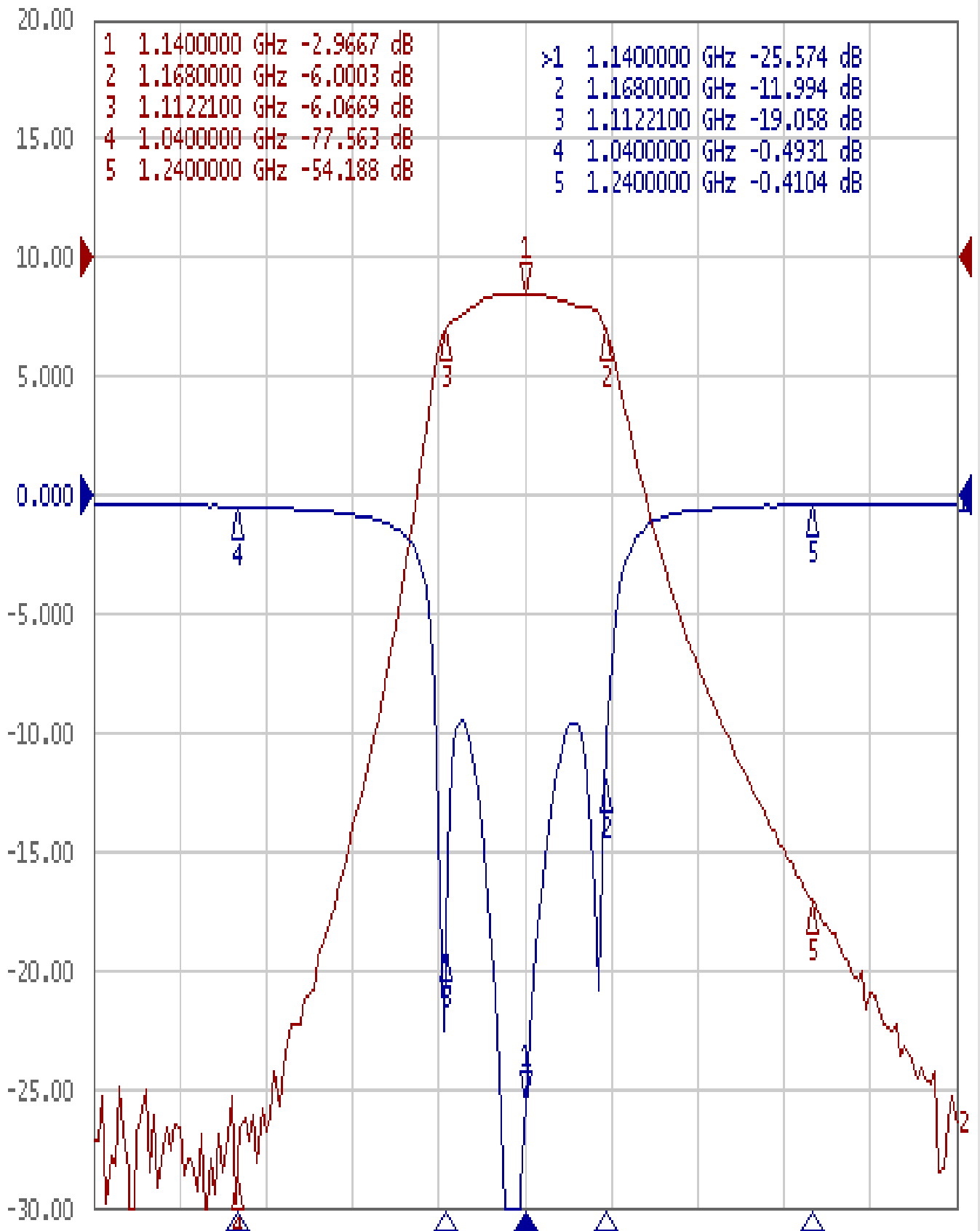
Approval	Supervisor	Designer	Aperture size
C.C.Chang	C.K.Chang	W.W.Wang	7H5S(4*7.35)(7.38) 7H046LB5

TEMWELL CORPORATION

Performance- TV70878A-1140M

202002051CD

Tr1 511 Log Mag 5.000dB/ Ref 0.000dB [F2]
Tr2 521 Log Mag 10.000dB/ Ref 0.000dB [F2]



1 Center 1.14 GHz

IFBW 70 kHz

Span 300 MHz

Cor !