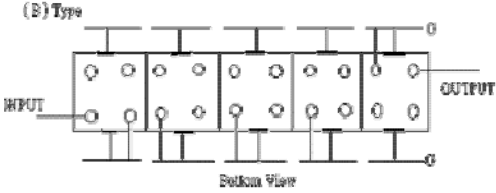
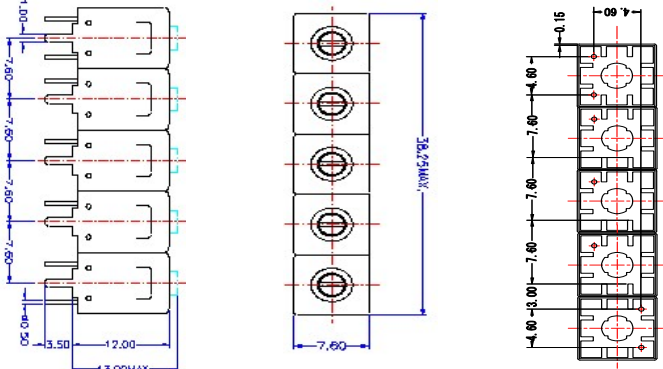
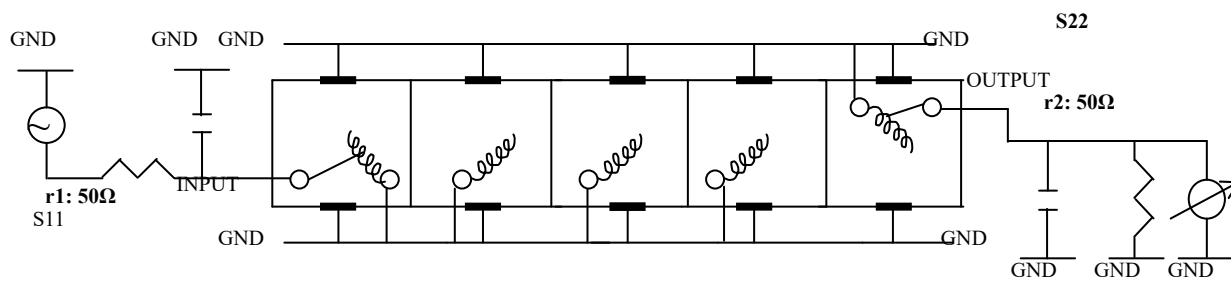


VHF UHF Helical Filter Specification Sheet

| | | | |
|----------------------|-------------|-----------------------|----------------|
| Customer Name | | Temwell's Part No. | TV70697B-293M |
| Approval No. /dated | 201808020CD | Temwell's Print name. | 70697B 293M |
| Work Instruction No. | 201808020CD | Date | Oct.26.2018 |

| | |
|---|--|
| (1) Pin Position | (2) Size Diagram |
|  |  |

| (3) Electric Characteristic | | | |
|--|-----------------|-----------------|-----|
| Item | Specify | Performance | |
| Center Freq.(Fo) +/- 0.5 % | 293 MHz | 293 | MHz |
| Insertion Loss | Typ. 3.0 dB | 2.24 | dB |
| -3 dB Bandwidth | Typ. 20 MHz | 24.2 | MHz |
| Sensitivity (Attenuation) | Fo - 50 MHz | Typ. 67 | dBc |
| | Fo + 50 MHz | Typ. 56 | dBc |
| | Fo - ()MHz | Typ. | dBc |
| | Fo + ()MHz | Typ. | dBc |
| Return Loss | Min. 12 dB | 23.1 | dB |
| Ripple | < 1 dB | | dB |
| Impedance | In / Out : 50 Ω | In / Out : 50 Ω | |
| (4) Torque for Tuning Screw | | > 60gf · cm | |
| (5) Temperature Condition: | | | |
| Operating Temperature | 0°C ~ +60°C | | |
| Storage Temperature | -20°C ~ +70°C | | |
| (6) Input Power | | > 1 Watt | |
| (7) Measuring Circuit: ※Easy to match Impedance S11/S22 50Ω by parallel with about(- -). | | | |



(Bottom View)

| | | | |
|-----------|------------|----------|-------------------------------|
| Approval | Supervisor | Designer | Aperture size |
| C.Y.Chang | C.K.Chang | C.H.Yeh | 7H5S(4*6.8)(6.87) 7H046LB5 |

TEMWELL CORPORATION

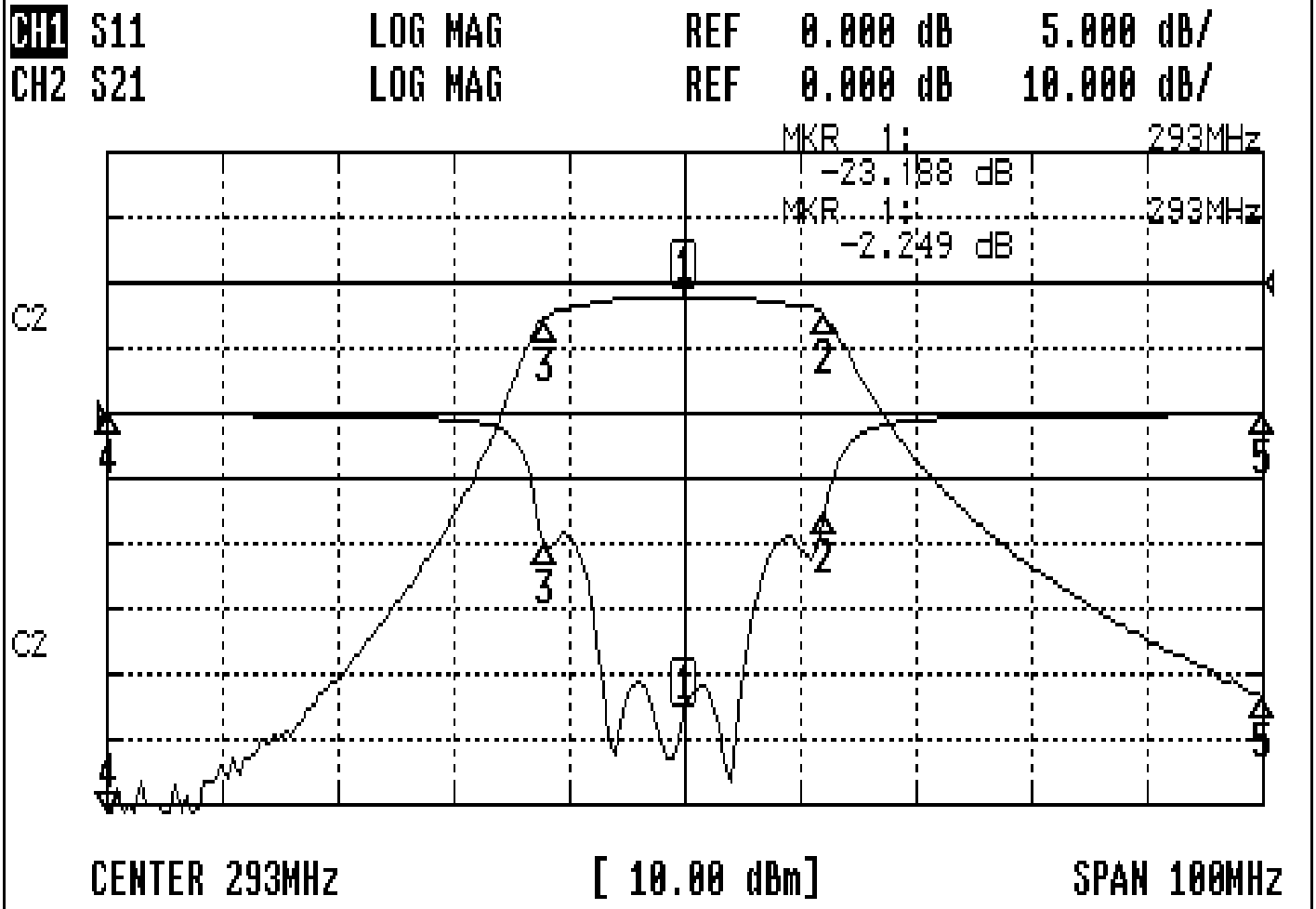
TEMWELL

Form10-7H5B Vision D

RP(C.H.Y)

Performance-TV70697B-293M

201808020CD



CH1 MARKER LIST

| Marker | Frequency (MHz) | Magnitude (dB) |
|--------|-----------------|----------------|
| 1 | 293.000 | -23.188 |
| 2 | 305.166 | -7.696 |
| 3 | 280.916 | -10.112 |
| 4 | 243.000 | -0.113 |
| 5 | 343.000 | -0.119 |

CH2 MARKER LIST

| Marker | Frequency (MHz) | Magnitude (dB) |
|--------|-----------------|----------------|
| 1 | 293.000 | -2.249 |
| 2 | 305.166 | -1.224 |
| 3 | 280.916 | -1.226 |
| 4 | 243.000 | -79.429 |
| 5 | 343.000 | -63.821 |