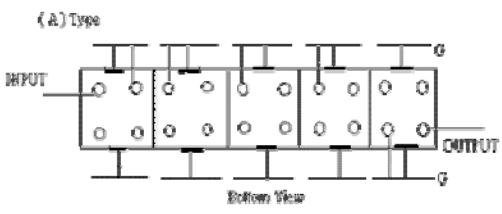
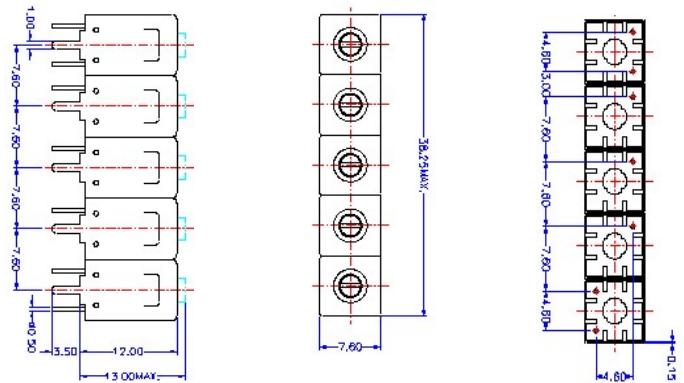


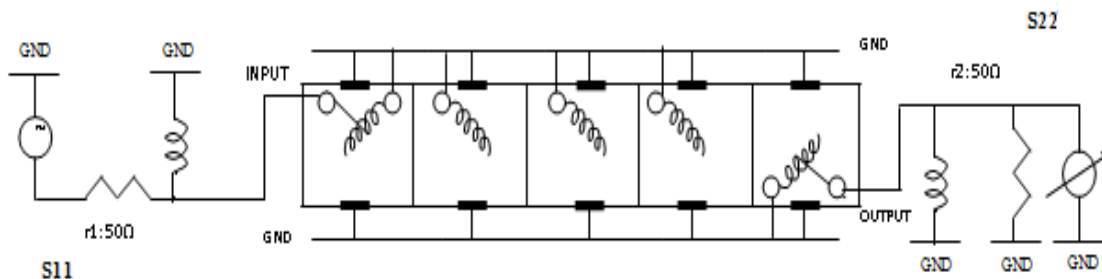
VHF UHF Helical Filter Specification Sheet

Customer Name		Temwell's Part No.	TV70684A-1405M
Approval No. /dated	202002056CD	Temwell's Print Name.	70684A 1405M
Work Instruction No.	202002056CD	Date	Mar.05.2020

(1) Pin Position	(2) Size Diagram
 <p>(A) Type INPUT OUTPUT Bottom View</p>	

(3) Electric Characteristic					
Item		Specify		Performance	
Center Freq.(Fo) +/- 0.5 %		1405 MHz		1405 MHz	
Insertion Loss		Typ. 3.0 dB		1.92 dB	
-3 dB Bandwidth		Typ. 110 MHz		117.0 MHz	
Sensitivity (Attenuation)	Fo - 150 MHz	Typ. 52 dBc		62 dBc	
	Fo + 150 MHz	Typ. 36 dBc		41 dBc	
	Fo - ()MHz	Typ. dBc		dBc	
	Fo +()MHz	Typ. dBc		dBc	
Return Loss		Min. 12 dB		19.3 dB	
Ripple		< 1 dB		dB	
Impedance		In / Out : 50 Ω		In / Out : 50 Ω	
(4) Torque for Tuning Screw		> 60gf · cm			
(5) Temperature Condition:					
Operating Temperature		0°C ~ +60°C			
Storage Temperature		-20°C ~ +70°C			
(6) Input Power		> 1 Watt			

(7) Measuring Circuit: ※Easy to match Impedance S11/S22 50Ω by parallel with about(- -).



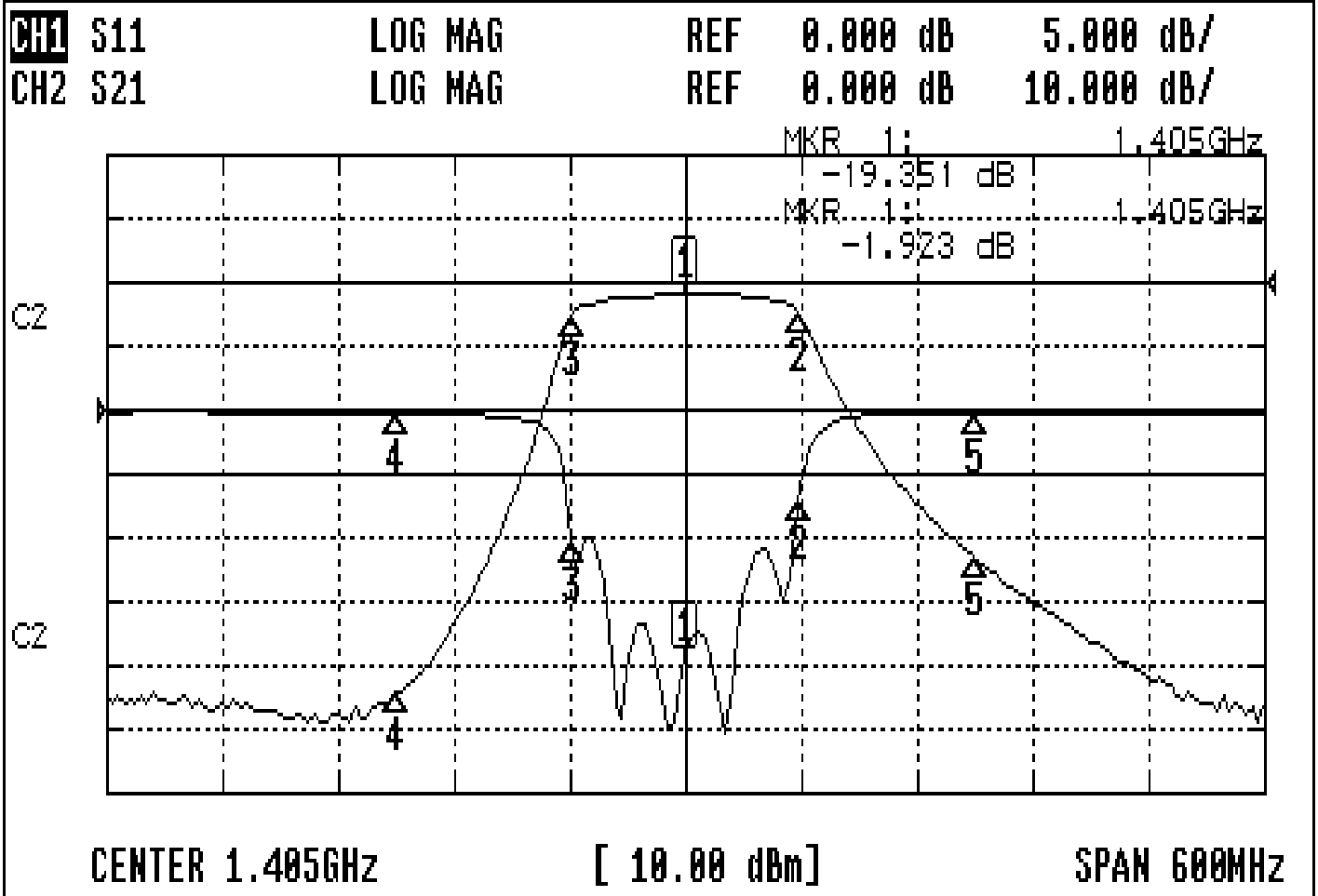
(Bottom View)

Approval	Supervisor	Designer	Aperture size
C.C.Chang	C.K.Chang	C.H.Yeh	7H5S(4*8.0)(8.02) 7H046LB5.5

TEMWELL CORPORATION

Performance- TV70684A-1405M

202002056CD



CH1 MARKER LIST

1	1.405	0000GHz	-19.351	0.000000
2	1.463	799GHz	-7.165	0.000000
3	1.346	700GHz	-10.570	0.000000
4	1.255	0000GHz	-0.306	0.000000
5	1.555	0000GHz	-0.338	0.000000

CH2 MARKER LIST

1	1.405	0000GHz	-1.923	0.000000
2	1.463	799GHz	-4.913	0.000000
3	1.346	700GHz	-4.930	0.000000
4	1.255	0000GHz	-0.909	0.000000
5	1.555	0000GHz	-43.128	0.000000