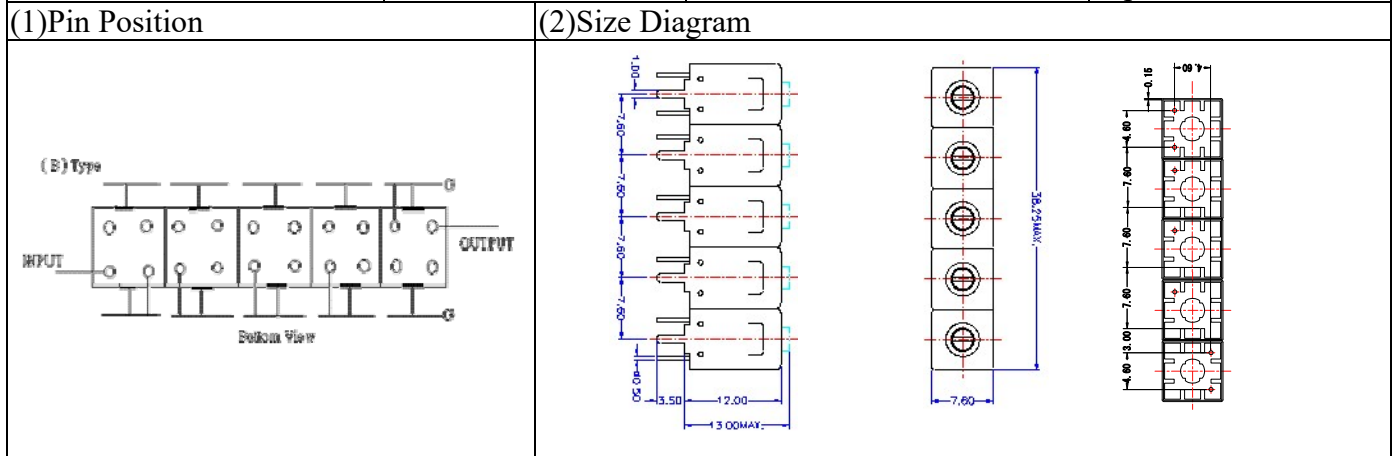


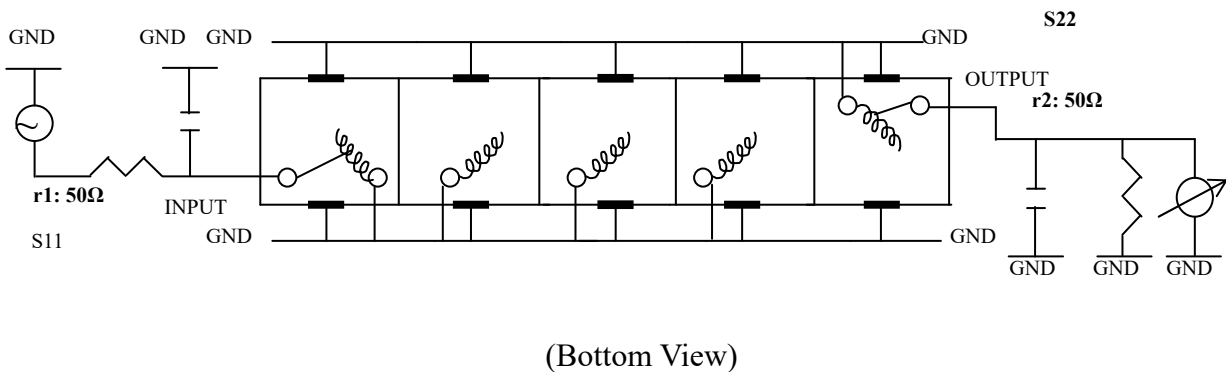
# VHF UHF Helical Filter Specification Sheet

Customer Name		Temwell's Part No.	TV70653B-775M
Approval No. /dated		Temwell's Print name.	70653B 775M
Work Instruction No.	202008016CD	Date	Sep.04.2020



(3) Electric Characteristic			
Item		Specify	Performance
Center Freq.(Fo) +/- 0.5 %		775 MHz	775 MHz
Insertion Loss		Typ. 3.0 dB	1.76 dB
-3 dB Bandwidth		Typ. 55 MHz	58.9 MHz
Sensitivity (Attenuation)	Fo - 50 MHz	Typ. 30 dBc	35 dBc
	Fo + 50 MHz	Typ. 19 dBc	24 dBc
	Fo - ( )MHz	Typ. dBc	dBc
	Fo +( )MHz	Typ. dBc	dBc
Return Loss		Min. 12 dB	32.7 dB
Ripple		< 1 dB	dB
Impedance		In / Out : 50 Ω	In / Out : 50 Ω
(4) Torque for Tuning Screw		> 60gf • cm	
(5) Temperature Condition:			
Operating Temperature		0°C ~ +60°C	
Storage Temperature		-20°C ~ +70°C	
(6) Input Power		> 1Watt	

(7) Measuring Circuit: ※Easy to match Impedance S11/S22 50Ω by parallel with about(- -).



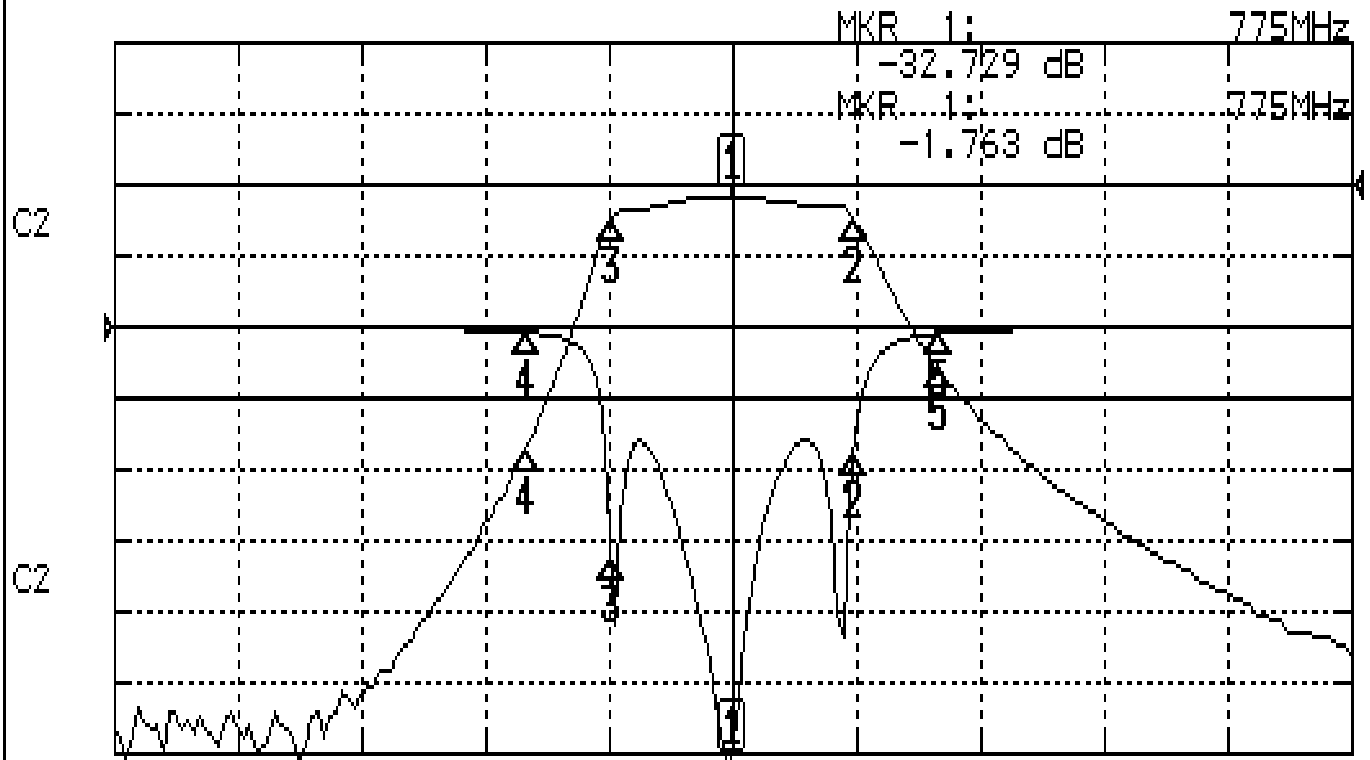
Approval	Supervisor	Designer	Aperture size
C.C.Chang	C.K.Chang	Z.Y.Wang	7H5S(4*6.5)(6.52) 7H046RB5.5(J1)

TEMWELL CORPORATION

# Performance-TV70653B-775M

202008016CD

CH1 S11 LOG MAG REF 0.000 dB 5.000 dB/  
CH2 S21 LOG MAG REF 0.000 dB 10.000 dB/



CENTER 775MHz

[ 10.00 dBm ]

SPAN 300MHz

## CH1 MARKER LIST

1:	775.000MHz	-32.729	dB
2:	804.590MHz	-18.540	dB
3:	745.650MHz	-15.564	dB
4:	725.000MHz	-0.867	dB
5:	825.000MHz	-0.423	dB

## CH2 MARKER LIST

1:	775.000MHz	-1.763	dB
2:	804.590MHz	-4.759	dB
3:	745.650MHz	-4.776	dB
4:	725.000MHz	-36.963	dB
5:	825.000MHz	-25.772	dB