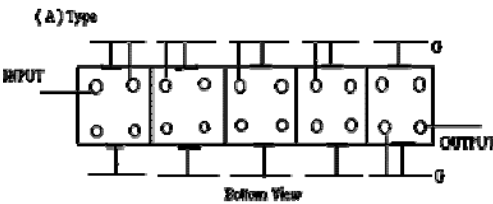
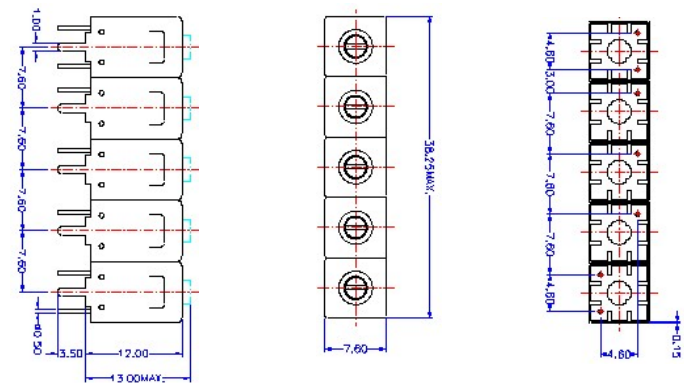


VHF UHF Helical Filter Specification Sheet

Customer Name		Temwell's Part No.	TV70444A-940.5M
Approval No. /dated	20102067DC	Acceptable Specify Fo. Range	931~950MHz
Work Instruction No.	20102067DC	Date	Feb.22.2001

(1)Pin Position	(2)Size Diagram
 <p>(A) Type INPUT OUTPUT Bottom View</p>	

(3)Electric Character

Item	Specify	Performance	
Center Freq.(Fo) +/- 0.5 %	940.5 MHz	940.5 MHz	
Insertion Loss	Typ. 4.5 dB	2.7 dB	
-1 dB Bandwidth	Typ. 24 MHz	40 MHz	
-3 dB Bandwidth	Typ. 29 MHz	45 MHz	
Sensitivity (Attenuation)	Fo - 43 MHz	Typ. 30 dBc	33 dBc
	Fo + 52 MHz	Typ. 27 dBc	30 dBc
	Fo - ()MHz	Typ. dBc	dBc
	Fo +()MHz	Typ. dBc	dBc
Return Loss	Min. 12 dB	16 dB	
Ripple	< 1 dB	dB	
Impedance	In / Out : 50 Ω	In / Out : 50 Ω	
(4)Torque for Tuning Screw	> 60gf • cm		

(5)Temperature Condition:

Operating Temperature	0°C ~ +60°C
Storage Temperature	-20°C ~ +70°C
(6)Input Power	> 1Watt

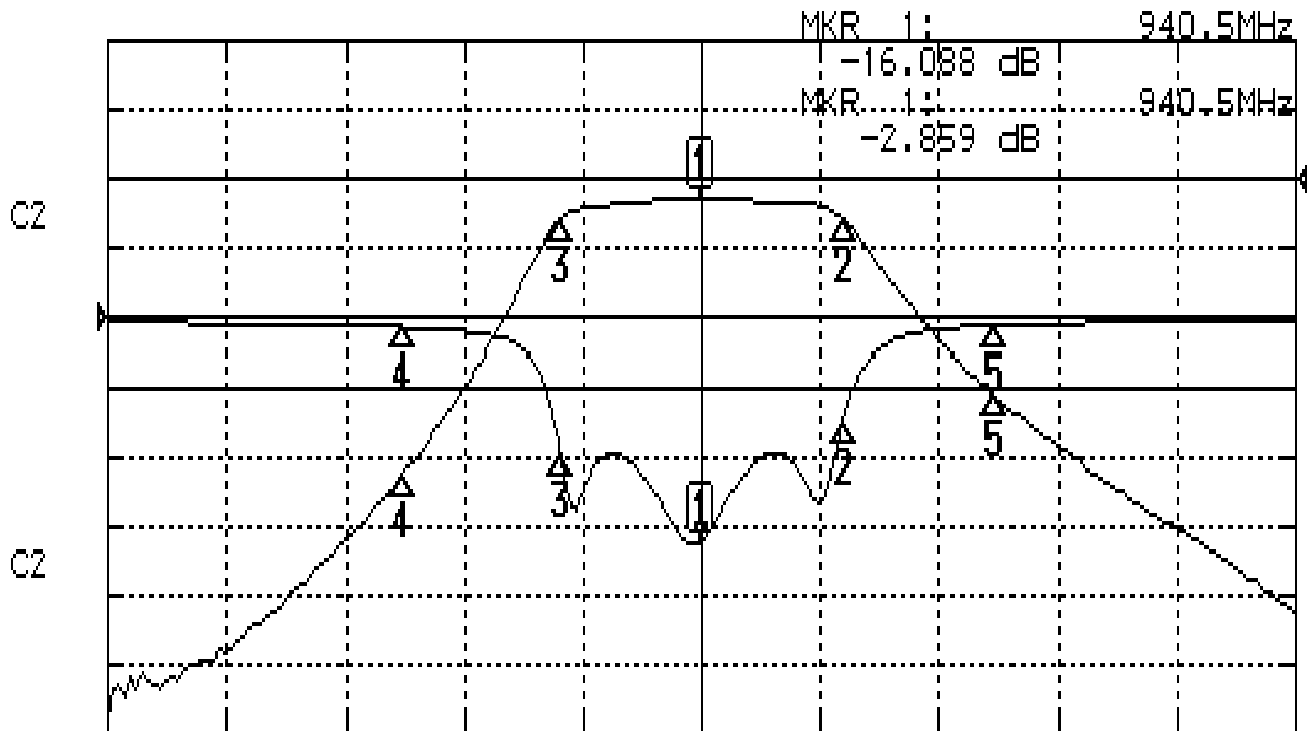
Approval	Supervisor	Designer	Aperture size
C.Y.Chang	C.S.Chang	C.S.Chang	7H5S(4*5.5) 7H 046LB5 / 046LB4

TEMWELL CORPORATION

Performance-TV70444A-940.5M

20102067DC

CH1 S11 LOG MAG REF 0.000 dB 5.000 dB/
CH2 S21 LOG MAG REF 0.000 dB 10.000 dB/



CENTER 940.5MHz

[10.00 dBm]

SPAN 200MHz

CH1 MARKER LIST

1:	940.500MHz	-16.088	dB
2:	964.500MHz	-7.298	dB
3:	916.833MHz	-9.810	dB
4:	890.000MHz	-0.731	dB
5:	990.000MHz	-0.598	dB

CH2 MARKER LIST

1:	940.500MHz	-2.859	dB
2:	964.500MHz	-1.023	dB
3:	916.833MHz	-1.041	dB
4:	890.000MHz	-42.455	dB
5:	990.000MHz	-30.959	dB