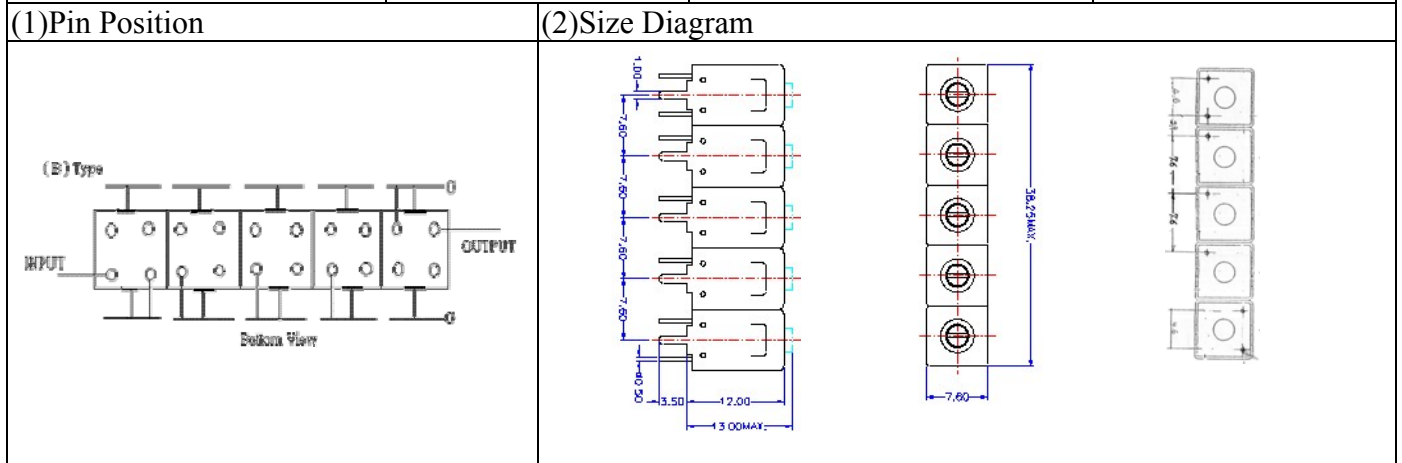


VHF UHF Helical Filter Specification Sheet

Customer Name		Temwell's Part No.	TV70295B-427.5M
Approval No. /dated		Temwell's Part mane	70295B 427.5M
Work Instruction No.	20112017B	Date	Dec.12.2001



(3) Electric Charasteric

Item	Specify	Performance
Center Freq.(Fo) +/- 0.5 %	427.5 MHz	427.5 MHz
Insertion Loss	Typ. 3.0 dB	1.6 dB
-3 dB Bandwidth	Typ. 34 MHz	36 MHz
Sensitivity (Attenuation)	Fo -(30) MHz	Typ. 30 dBc
	Fo +(30) MHz	Typ. 20 dBc
	Fo -() MHz	Typ. dBc
	Fo +()MHz	Typ. dBc
Return Loss	Min. 12 dB	19 dB
Ripple	< 1 dB	
Impedance	In / Out : 50 Ω	In / Out : 50 Ω

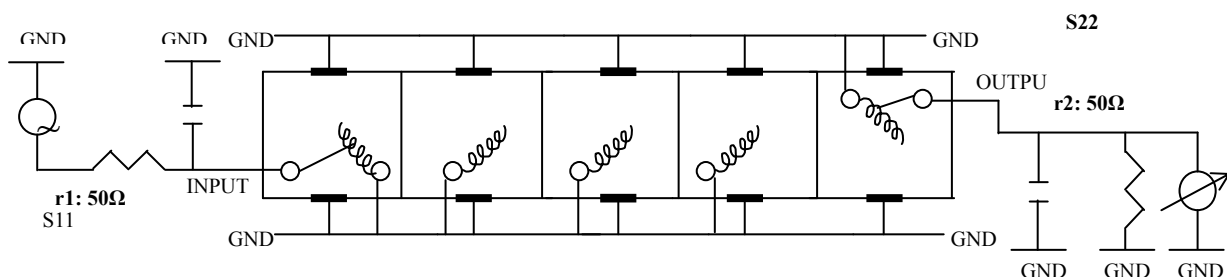
(4) Torque for Tuning Screw > 60gf • cm

(5) Temperature Condition:

Operating Temperature	-30°C ~ +70°C
Storage Temperature	-30°C ~ +80°C

(6) Input Power > 1Watt

(7) Measuring Circuit: ※Easy to match Impedance S11/S22 /50Ω by parallel with about(--)



(Bottom View)

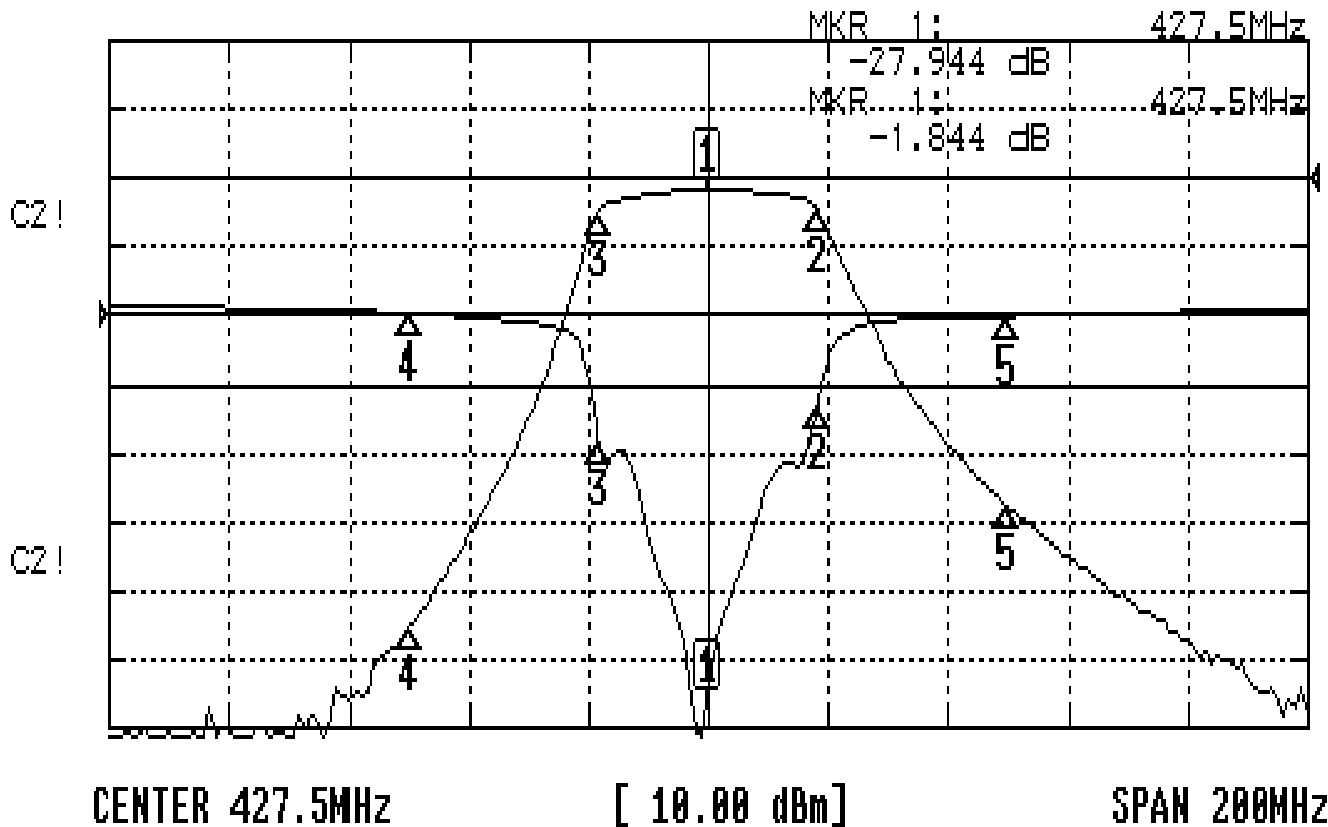
Approval	Supervisor	Designer	Aperture size
C.Y.Chang	C.K.Chang	P.H.Chiang	7H5S(4*7.5)(7.58) 7H046LB4.3 聚 3

TEMWELL CORPORATION

Performance-TV70295B-427.5M

20112017B

CH1 S11 LOG MAG REF 0.000 dB 5.000 dB/
CH2 S21 LOG MAG REF 0.000 dB 10.000 dB/



CH1 MARKER LIST

1:	427.500MHz	-27.944	dB
2:	445.833MHz	-4.817	dB
3:	409.333MHz	-4.699	dB
4:	377.500MHz	-64.917	dB
5:	477.500MHz	-47.427	dB

CH2 MARKER LIST

1:	427.500MHz	-1.844	dB
2:	445.833MHz	-4.817	dB
3:	409.333MHz	-4.699	dB
4:	377.500MHz	-64.917	dB
5:	477.500MHz	-47.427	dB