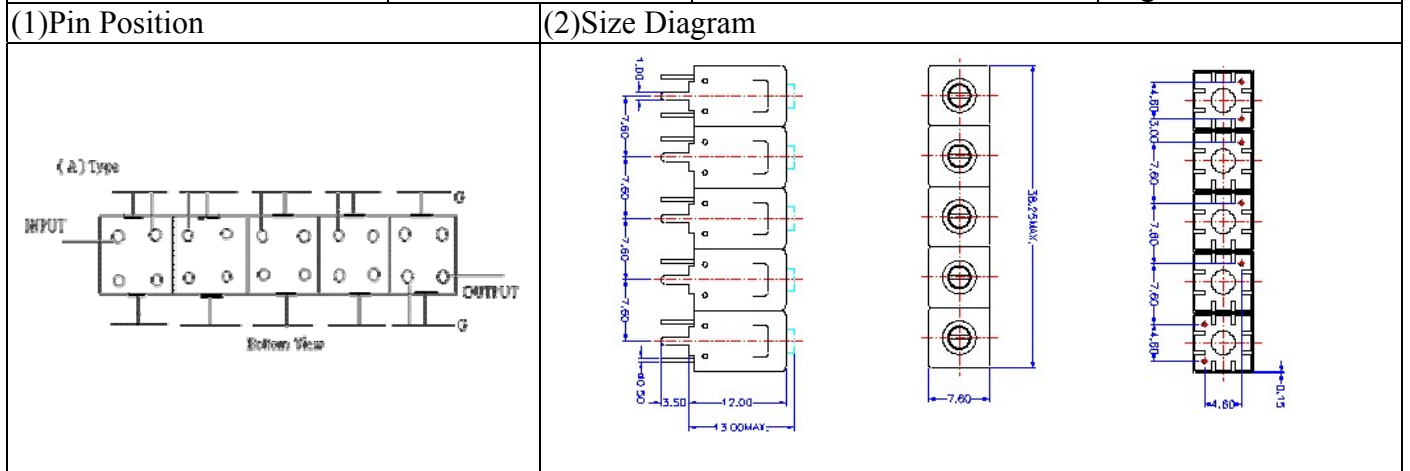


VHF UHF Helical Filter Specification Sheet

Customer Name		Temwell's Part No.	TV70280A1-107M
Approval No. /dated	201807015CD	Temwell's Print Name.	70280A1 107M
Work Instruction No.	201807015CD	Date	Aug.22.2018



(3) Electric Charasteric

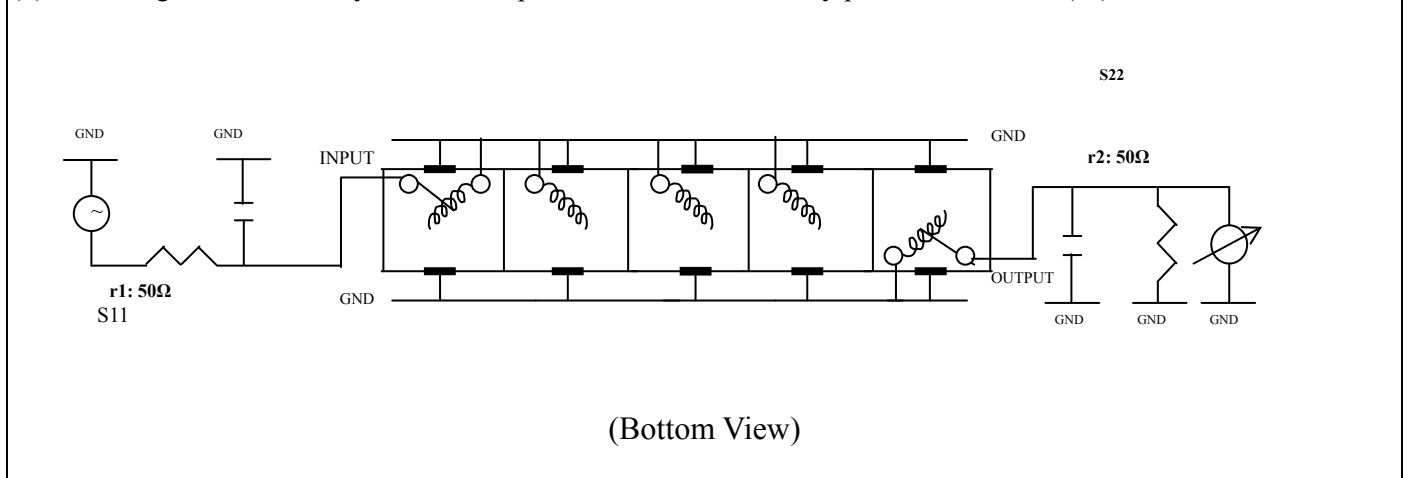
Item		Specify	Performance
Center Freq.(Fo) +/- 0.5 %		107 MHz	107 MHz
Insertion Loss		Typ. 4.0 dB	3.23 dB
-3 dB Bandwidth		Typ. 6 MHz	10.4 MHz
Sensitivity (Attenuation)	Fo - 30 MHz	Typ. 76 dBc	86 dBc
	Fo +30 MHz	Typ. 69 dBc	79 dBc
	Fo - ()MHz	Typ. dBc	dBc
	Fo +()MHz	Typ. dBc	dBc
Return Loss		Min. 12 dB	28.9 dB
Ripple		< 1 dB	dB
Impedance		In / Out : 50 Ω	In / Out : 50 Ω
(4) Torque for Tuning Screw		> 60gf • cm	

(5) Temperature Condition:

Operating Temperature	0°C ~ +60°C
Storage Temperature	-20°C ~ +70°C

(6) Input Power

(7) Measuring Circuit: ※Easy to match Impedance S11/S22 50Ω by parallel with about(- -).



Approval	Supervisor	Designer	Aperture size
C.Y.Chang	C.K.Chang	P.H.Chiang	7H5S-4*5.35(5.39) 7H024RB6.5

TEMWELL CORPORATION

Performance-TV70280A1-107M

201807015CD

