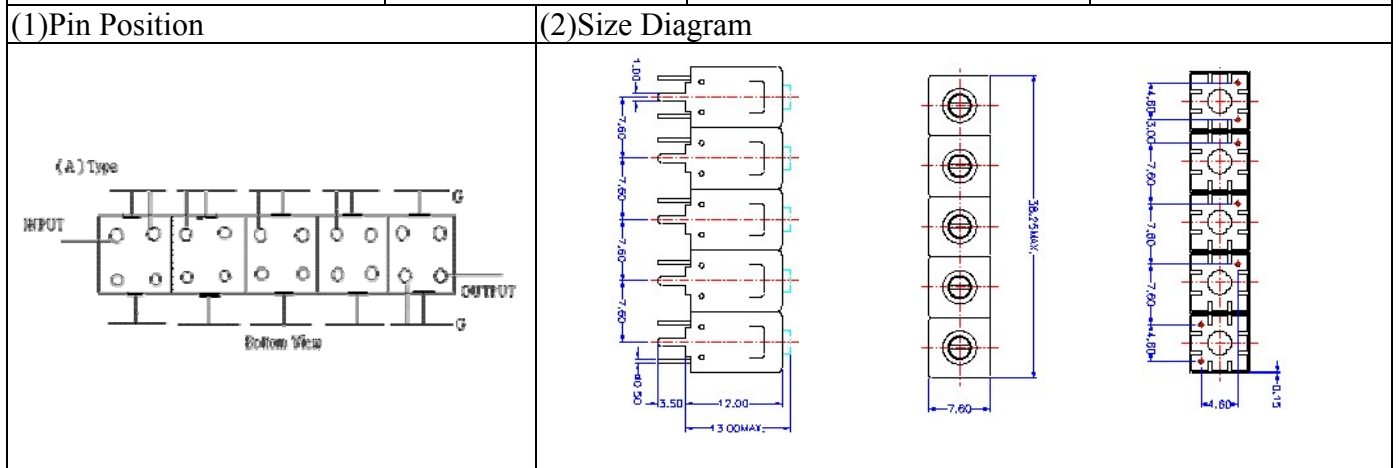


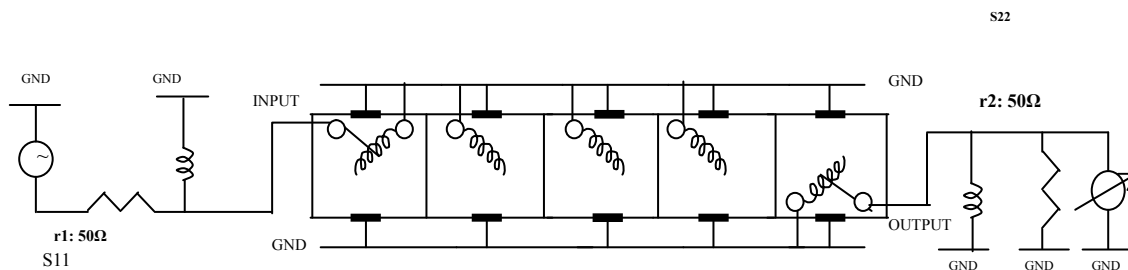
VHF UHF Helical Filter Specification Sheet

Customer Name		Temwell's Part No.	TV70268A-1060M
Approval No. /dated	201105083CD	Temwell's Print Name.	70268A 1060M
Work Instruction No.	201105083CD	Date	Jun.24.2011



(3) Electric Characteristic					
Item		Specify		Performance	
Center Freq.(Fo) +/- 0.5 %		1060 MHz		1060 MHz	
Insertion Loss		Typ.	4.5 dB	3.24 dB	
-3 dB Bandwidth		Typ.	40 MHz	44.7 MHz	
Sensitivity (Attenuation)	Fo - 50 MHz	Typ.	40 dBc	43 dBc	
	Fo + 50 MHz	Typ.	31 dBc	34 dBc	
	Fo - ()MHz	Typ.	dBc	dBc	
	Fo +()MHz	Typ.	dBc	dBc	
Return Loss		Min.	12 dB	24.2 dB	
Ripple		< 1 dB		dB	
Impedance		In / Out : 50 Ω		In / Out : 50 Ω	
(4) Torque for Tuning Screw		> 60gf • cm			
(5) Temperature Condition:					
Operating Temperature		0°C ~ +60°C			
Storage Temperature		-20°C ~ +70°C			
(6) Input Power		> 1Watt			

(7) Measuring Circuit: ※Easy to match Impedance S11/S22 50Ω by parallel with about(--nH) / (--nH).



(Bottom View)

Approval	Supervisor	Designer	Aperture size
C.Y.Chang	C.K.Chang	C.S.Chang	7H5S(4*4.65)(4.72) 7H046LB5

TEMWELL CORPORATION

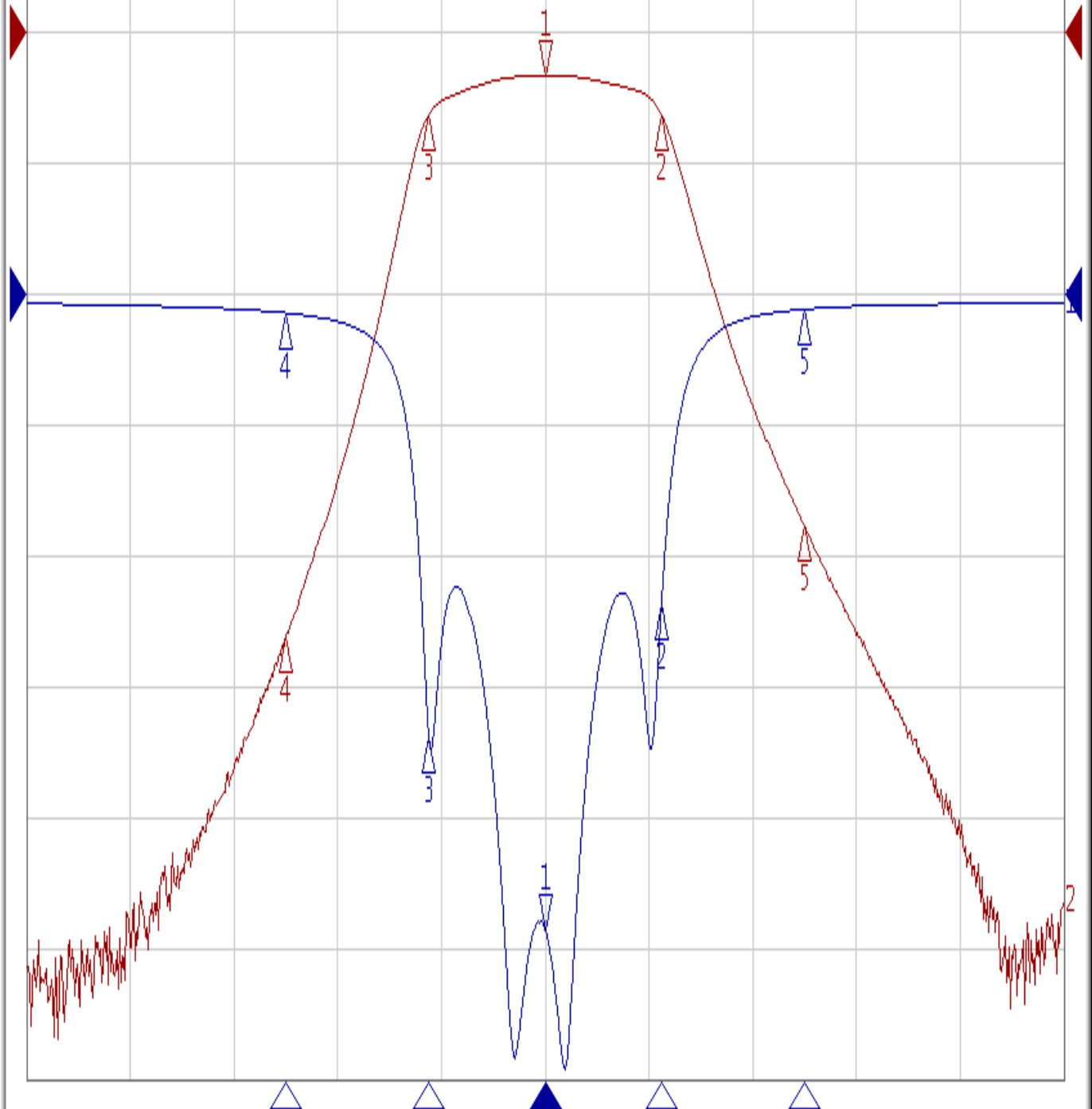
Performance-TV70268A-1060M

201105083CD

Tr1 S11 Log Mag 5.000dB/ Ref 0.000dB [F2]
Tr2 S21 Log Mag 10.00dB/ Ref 0.000dB [F2]

1	1.0600000	GHz	-3.2475	dB
2	1.0823780	GHz	-6.2505	dB
3	1.0376230	GHz	-6.2423	dB
4	1.0100000	GHz	-46.262	dB
5	1.1100000	GHz	-37.753	dB

>1	1.0600000	GHz	-24.266	dB
2	1.0823780	GHz	-11.834	dB
3	1.0376230	GHz	-16.973	dB
4	1.0100000	GHz	-0.7022	dB
5	1.1100000	GHz	-0.5594	dB



1 Center 1.06 GHz

IFBW 10 kHz

Span 200 MHz Cor !