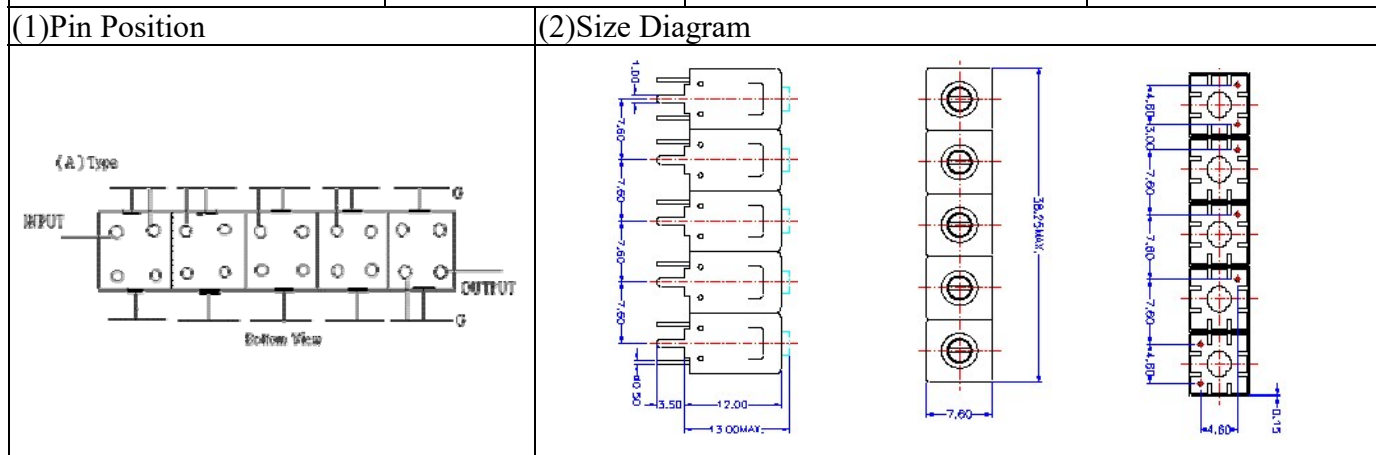


VHF UHF Helical Filter Specification Sheet

Customer Name		Temwell's Part No.	TV70265A-947M
Approval No. /dated	202002033CD	Temwell's Print Name.	70265A 947M
Work Instruction No.	202002033CD	Date	Feb.25.2020



(3)Electric Charasteric

Item	Specify	Performance	
Center Freq.(Fo) +/- 0.5 %	947 MHz	947 MHz	
Insertion Loss	Typ. 3.5 dB	2.40 dB	
-3 dB Bandwidth	Typ. 40 MHz	44.3 MHz	
Sensitivity (Attenuation)	Fo - 50 MHz	Typ. 44 dBc	49 dBc
	Fo + 50 MHz	Typ. 30 dBc	35 dBc
	Fo - ()MHz	Typ. dBc	dBc
	Fo +()MHz	Typ. dBc	dBc
Return Loss	Min. 12 dB	28.0 dB	
Ripple	< 1 dB	dB	
Impedance	In / Out : 50 Ω	In / Out : 50 Ω	

(4)Torque for Tuning Screw > 60gf • cm

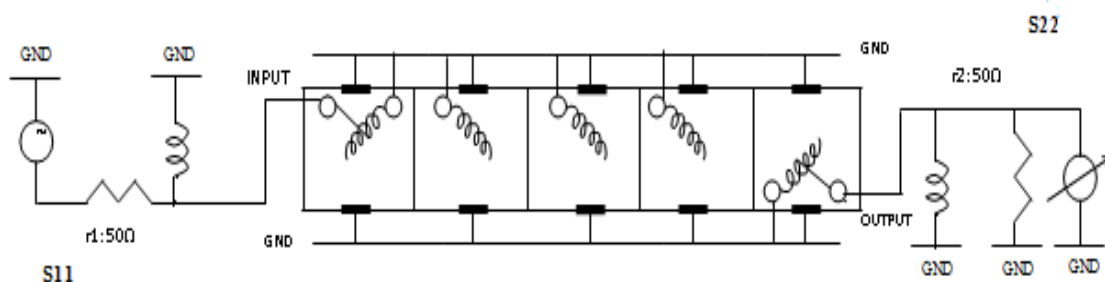
(5)Temperature Condition:

Operating Temperature 0°C ~ +60°C

Storage Temperature -20°C ~ +70°C

(6)Input Power > 1Watt

(7)Measuring Circuit: ※Easy to match Impedance S11/S22 50Ω by parallel with about(- -).



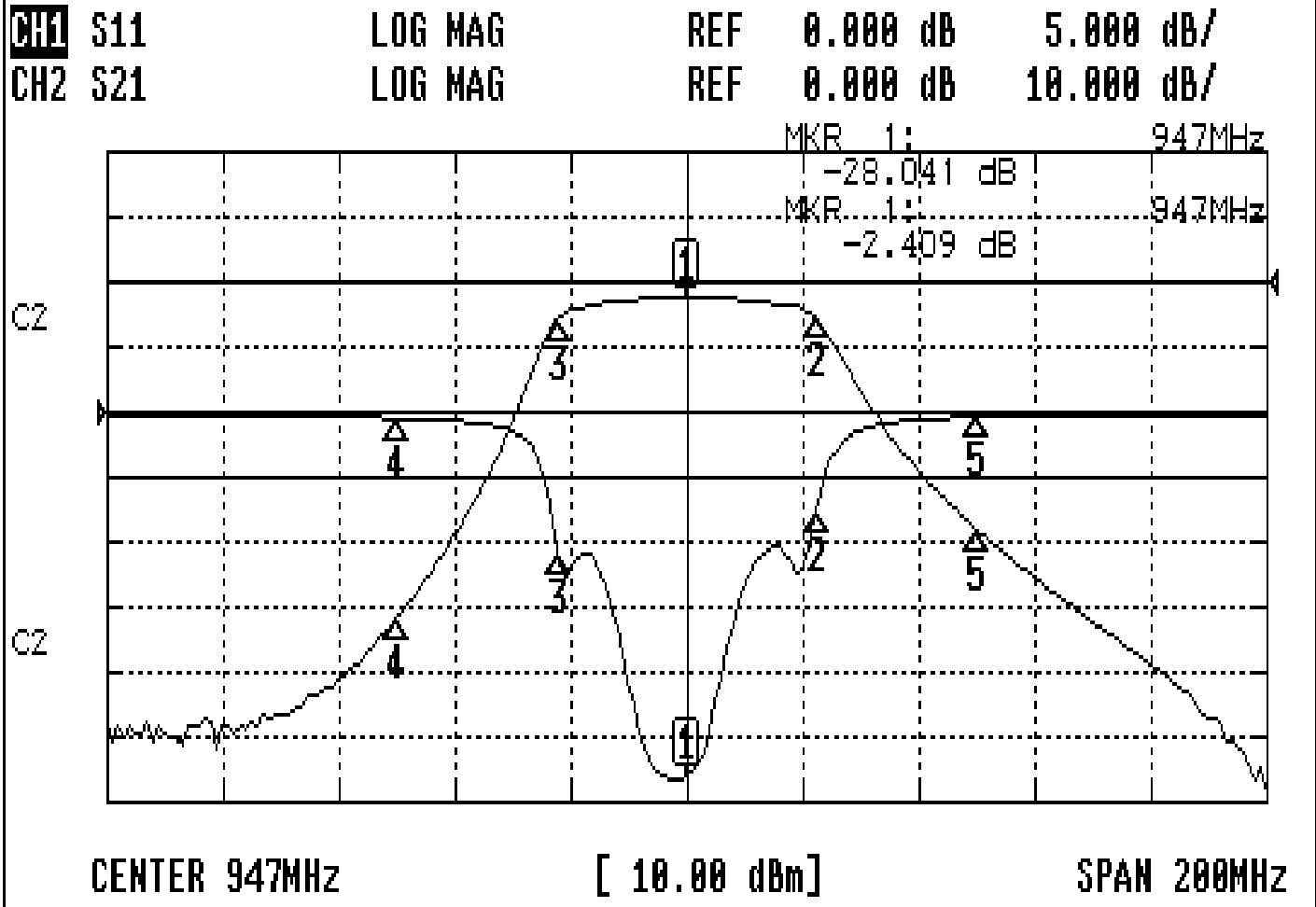
(Bottom View)

Approval C.C.Chang	Supervisor C.K.Chang	Designer M.Y.Kang	Aperture size 7H5S(4*6.5)(6.57) 7H046LB4.5 聚 2
-----------------------	-------------------------	----------------------	--

TEMWELL CORPORATION

Performance- TV70265A-947M

202002033CD



CH1 MARKER LIST

1:	947.000MHz	-28.041	dB
2:	969.280MHz	-7.737	dB
3:	924.900MHz	-11.062	dB
4:	997.000MHz	-0.472	dB
5:	997.000MHz	-0.382	dB

CH2 MARKER LIST

1:	947.000MHz	-2.407	dB
2:	969.280MHz	-1.470	dB
3:	924.900MHz	-1.482	dB
4:	997.000MHz	-1.715	dB
5:	997.000MHz	-37.995	dB