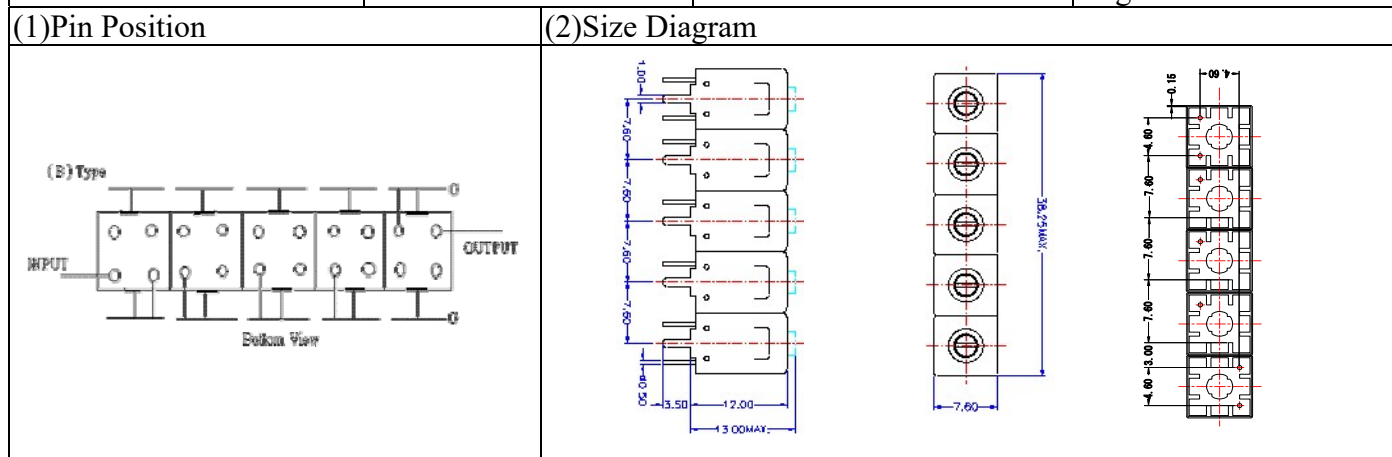


VHF UHF Helical Filter Specification Sheet

Customer Name		Temwell's Part No.	TV70183B1-180M
Approval No. /dated	201808011CD	Temwell's Print name.	70183B1 180M
Work Instruction No.	201808011CD	Date	Aug.9.2018



(3) Electric Characteristic

Item	Specify	Performance
Center Freq.(Fo) +/- 0.5 %	180 MHz	180 MHz
Insertion Loss	Typ. 3.0 dB	2.09 dB
-3 dB Bandwidth	Typ. 20 MHz	26.1 MHz
Sensitivity (Attenuation)	Fo - 50 MHz	Typ. 75 dBc
	Fo + 50 MHz	Typ. 57 dBc
	Fo - ()MHz	Typ. dBc
	Fo +()MHz	Typ. dBc
Return Loss	Min. 12 dB	19.8 dB
Ripple	< 1 dB	
Impedance	In / Out : 50 Ω	In / Out : 50 Ω

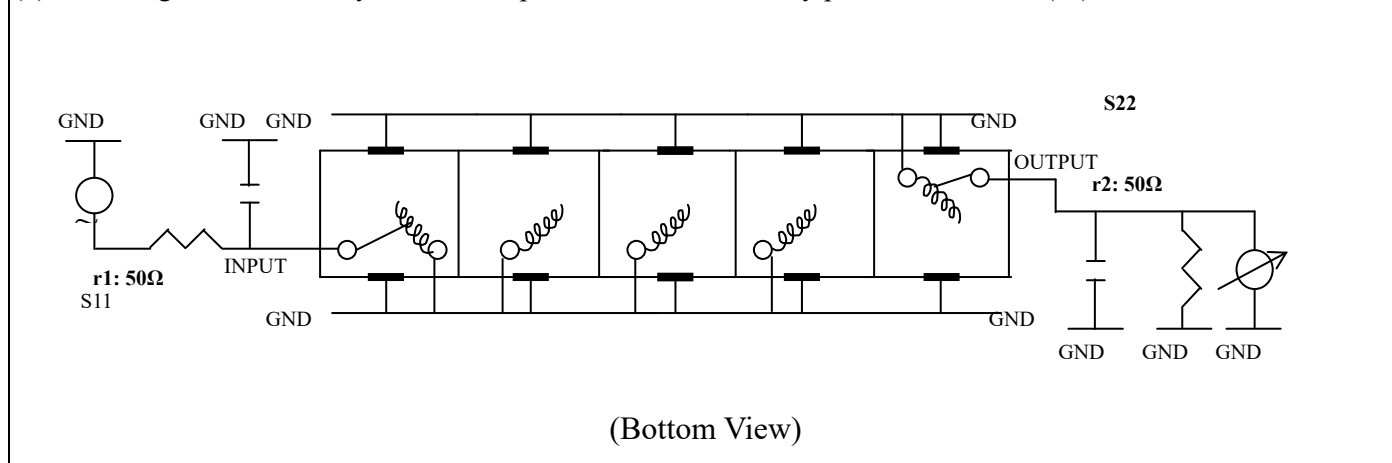
(4) Torque for Tuning Screw > 60gf · cm

(5) Temperature Condition:

Operating Temperature	0°C ~ +60°C
Storage Temperature	-20°C ~ +70°C

(6) Input Power > 1Watt

(7) Measuring Circuit: ※Easy to match Impedance S11/S22 50Ω by parallel with about(- -).



Approval	Supervisor	Designer	Aperture size
C.Y.Chang	C.K.Chang	C.S.Chang	7H5S(4*5.35)(5.38) 7H024RB6.5(J1)

TEMWELL CORPORATION

Performance-TV70183B1-180M

201808011CD

