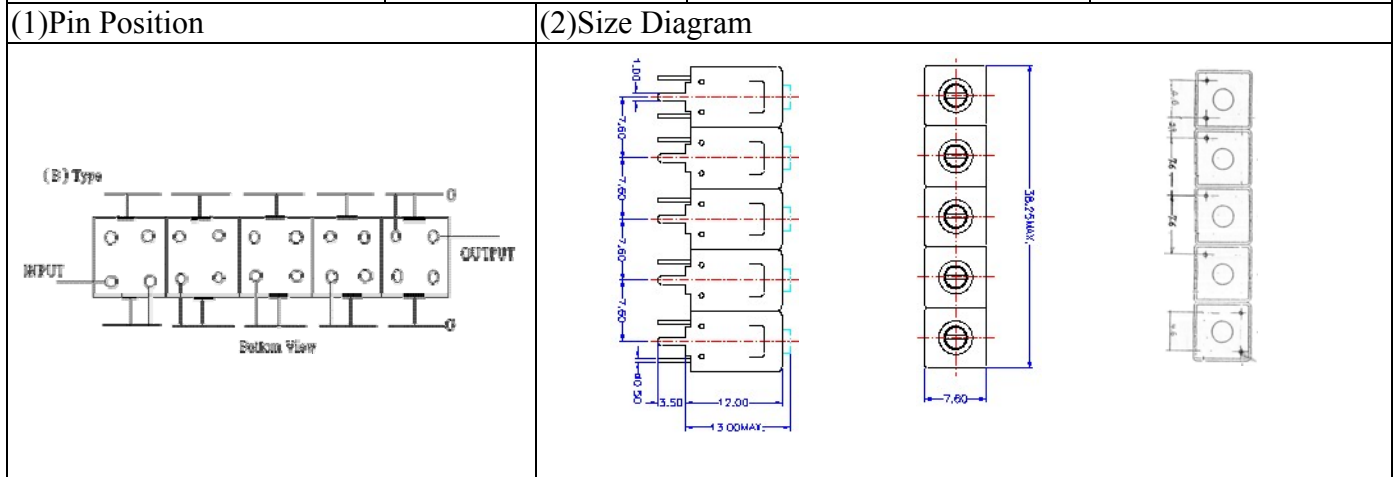


VHF UHF Helical Filter Specification Sheet

| | | | |
|----------------------|-------------|-----------------------|----------------|
| Customer Name | | Temwell's Part No. | TV70157B-440M |
| Approval No. /dated | 0906109CD | Temwell's Print name. | 70157B 440M |
| Work Instruction No. | 200906109CD | Date | Jun.26.2009 |



(3) Electric Characteristic

| Item | Specify | Performance | |
|------------------------------|-----------------|-----------------|--------|
| Center Freq.(Fo) +/- 0.5 % | 440 MHz | 440 MHz | |
| Insertion Loss | Typ. 3.5 dB | 2.71 dB | |
| -1 dB Bandwidth | Typ. 16 MHz | 20.0 MHz | |
| -3 dB Bandwidth | Typ. 21 MHz | 24.9 MHz | |
| Sensitivity (Attenuation) | Fo - 30 MHz | Typ. 47 dBc | 50 dBc |
| | Fo + 30 MHz | Typ. 36 dBc | 39 dBc |
| | Fo - ()MHz | Typ. dBc | dBc |
| | Fo +()MHz | Typ. dBc | dBc |
| Return Loss | Min. 12 dB | 20.1 dB | |
| Ripple | < 1 dB | dB | |
| Impedance | In / Out : 50 Ω | In / Out : 50 Ω | |

(4) Torque for Tuning Screw > 60gf • cm

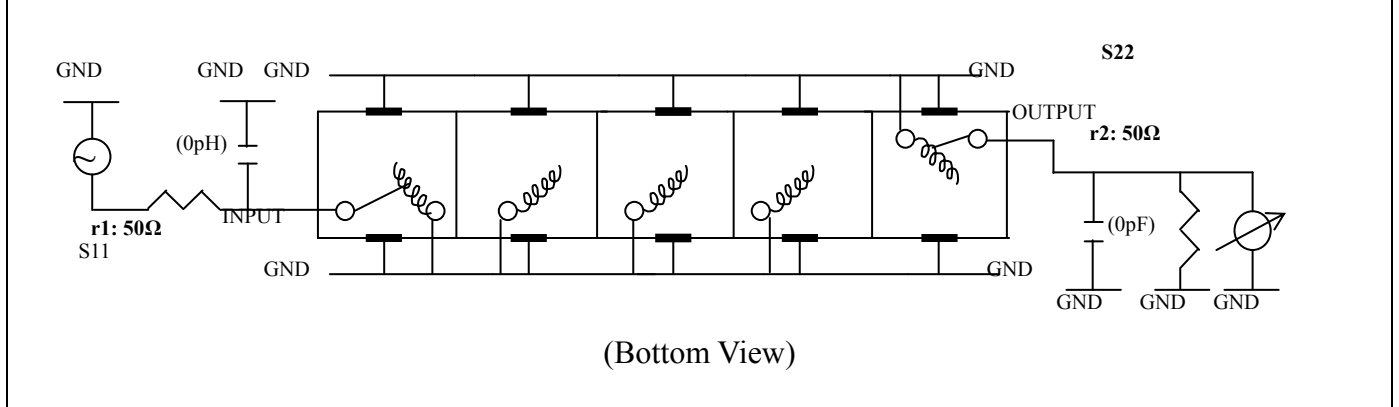
(5) Temperature Condition:

Operating Temperature 0°C ~ +60°C

Storage Temperature -20°C ~ +70°C

(6) Input Power > 1Watt

(7) Measuring Circuit: ※Easy to match Impedance S11/S22 50Ω by parallel with about(0pH) / (0pF).



| | | | |
|-----------|------------|-----------|--------------------------------|
| Approval | Supervisor | Designer | Aperture size |
| C.Y.Chang | C.K.Chang | C.S.Chang | 7H5S(4*5.5F)(6.64) 7H046LB5 |

TEMWELL CORPORATION

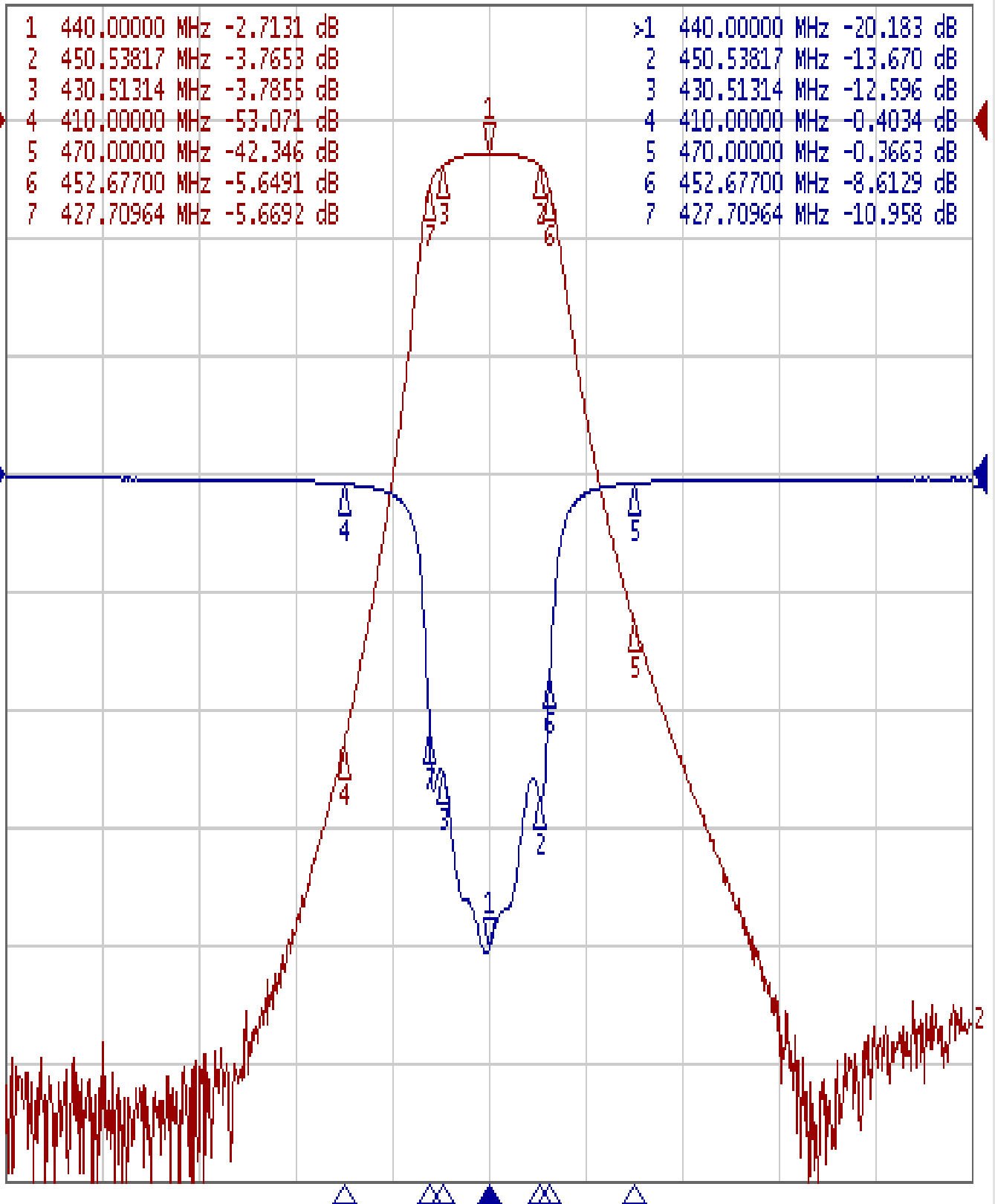
Performance-TV70157B-440M

200906109CD

Tr1 S11 Log Mag 5.000dB/ Ref 0.000dB [F2]
Tr2 S21 Log Mag 10.000dB/ Ref 0.000dB [F2]

| | | |
|---|---------------|------------|
| 1 | 440.00000 MHz | -2.7131 dB |
| 2 | 450.53817 MHz | -3.7653 dB |
| 3 | 430.51314 MHz | -3.7855 dB |
| 4 | 410.00000 MHz | -53.071 dB |
| 5 | 470.00000 MHz | -42.346 dB |
| 6 | 452.67700 MHz | -5.6491 dB |
| 7 | 427.70964 MHz | -5.6692 dB |

| | | |
|----|---------------|------------|
| >1 | 440.00000 MHz | -20.183 dB |
| 2 | 450.53817 MHz | -13.670 dB |
| 3 | 430.51314 MHz | -12.596 dB |
| 4 | 410.00000 MHz | -0.4034 dB |
| 5 | 470.00000 MHz | -0.3663 dB |
| 6 | 452.67700 MHz | -8.6129 dB |
| 7 | 427.70964 MHz | -10.958 dB |



1 Center 440 MHz

IFBW 10 kHz

Span 200 MHz Cor !