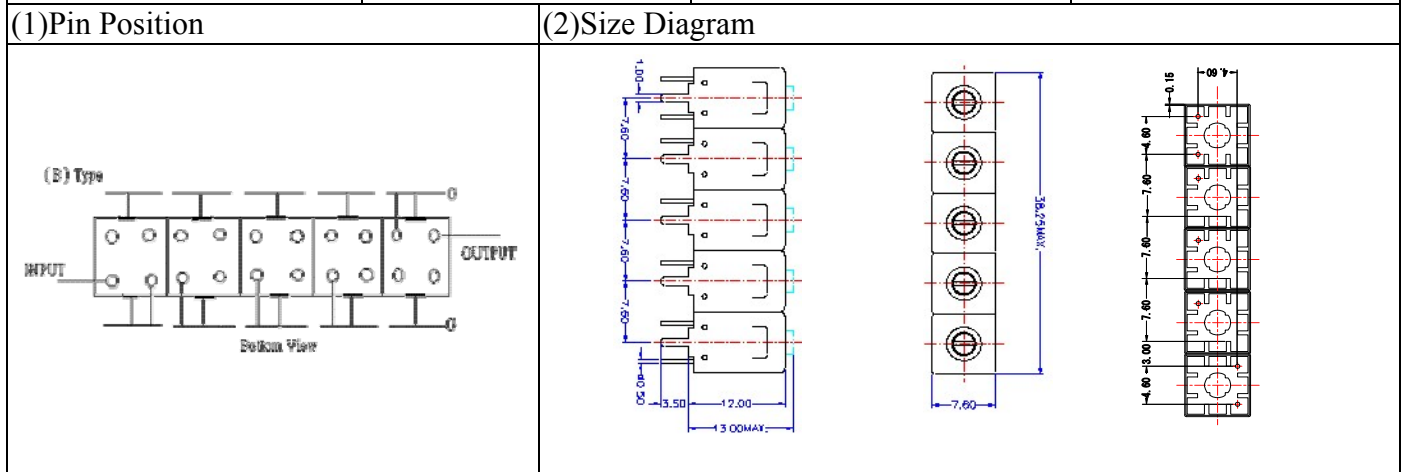


VHF UHF Helical Filter Specification Sheet

| | | | |
|----------------------|-------------|-----------------------|--------------|
| Customer Name | | Temwell's Part No. | TV6591B-74M |
| Approval No. /dated | 201807007CD | Temwell's Print name. | 6591B 74M |
| Work Instruction No. | 201807007CD | Date | Jul.18.2018 |



(3)Electric Charasteric

| Item | Specify | Performance | |
|------------------------------|-----------------|-----------------|--------|
| Center Freq.(Fo) +/- 0.5 % | 74 MHz | 74 MHz | |
| Insertion Loss | Typ. 4.0 dB | 2.79 dB | |
| -3 dB Bandwidth | Typ. 10 MHz | 12.4 MHz | |
| Sensitivity (Attenuation) | Fo - 50 MHz | Typ. 69 dBc | 79 dBc |
| | Fo + 50 MHz | Typ. 68 dBc | 78 dBc |
| | Fo - ()MHz | Typ. dBc | dBc |
| | Fo +()MHz | Typ. dBc | dBc |
| Return Loss | Min. 12 dB | 19.9 dB | |
| Ripple | < 1 dB | dB | |
| Impedance | In / Out : 50 Ω | In / Out : 50 Ω | |

(4)Torque for Tuning Screw > 60gf · cm

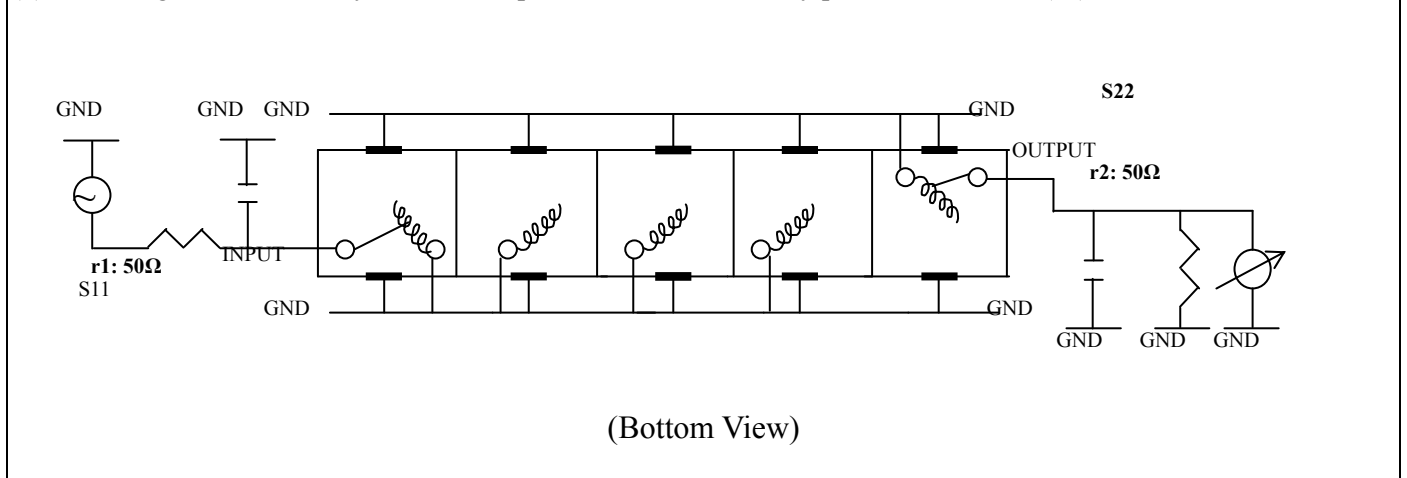
(5)Temperature Condition:

Operating Temperature 0°C ~ +60°C

Storage Temperature -20°C ~ +70°C

(6)Input Power > 1Watt

(7)Measuring Circuit: ※Easy to match Impedance S11/S22 50Ω by parallel with about(- -).

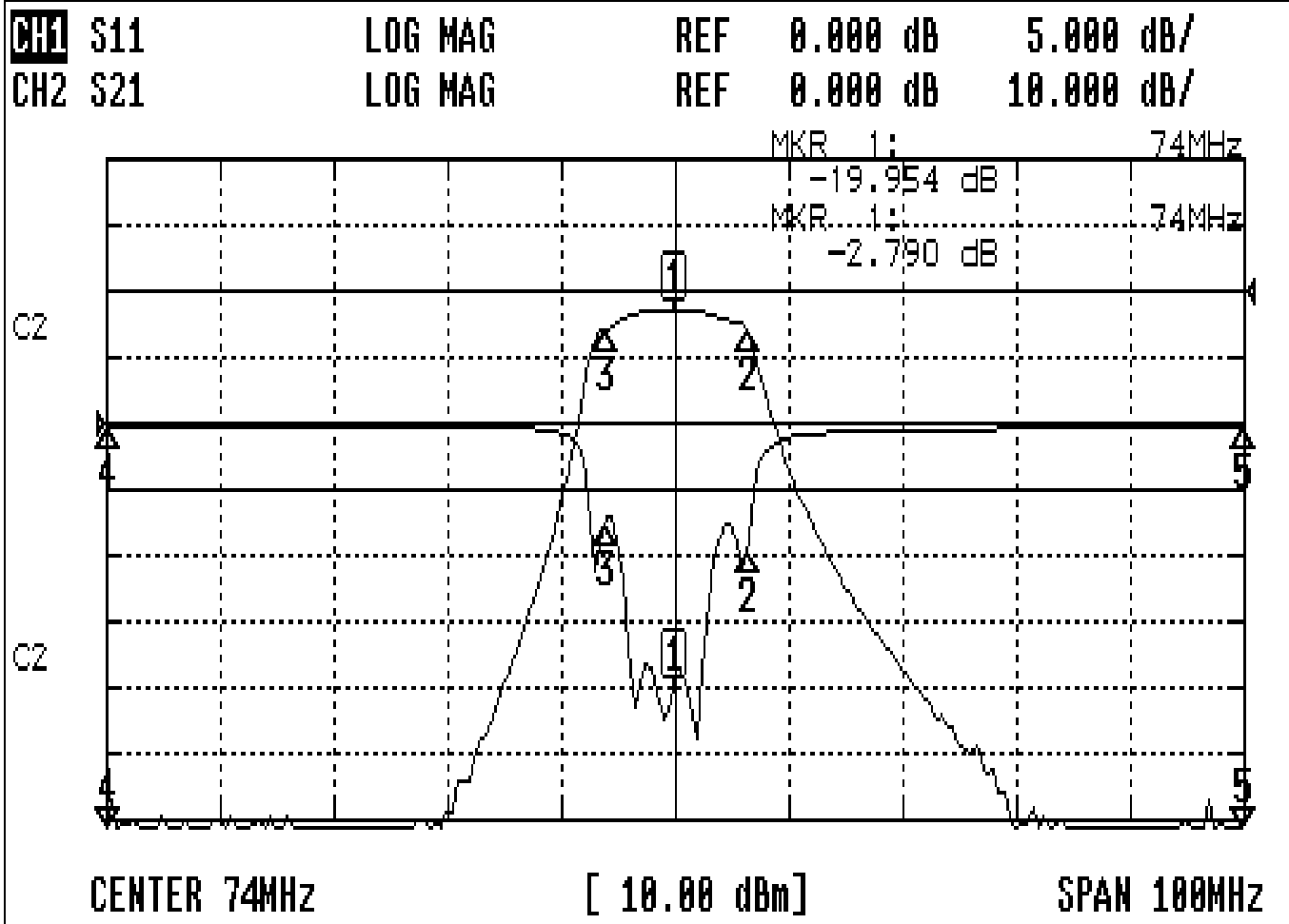


| | | | |
|-----------|------------|----------|-----------------------------------|
| Approval | Supervisor | Designer | Aperture size |
| C.Y.Chang | C.K.Chang | M.Y.Kang | 7H5S(4*6.5)(6.59) 7H00LB6 (J1) |

TEMWELL CORPORATION

Performance-TV6591B-74M

201807007CD



CH1 MARKER LIST

| | | | |
|----|------------|---------|----|
| 1: | 74.000MHz | -19.954 | dB |
| 2: | 80.320MHz | -1.785 | dB |
| 3: | 67.916MHz | -7.418 | dB |
| 4: | 24.000MHz | -0.172 | dB |
| 5: | 124.000MHz | -0.346 | dB |

CH2 MARKER LIST

| | | | |
|----|------------|--------|----|
| 1: | 74.000MHz | -2.790 | dB |
| 2: | 80.320MHz | -1.785 | dB |
| 3: | 67.916MHz | -7.396 | dB |
| 4: | 24.000MHz | -2.575 | dB |
| 5: | 124.000MHz | -1.684 | dB |