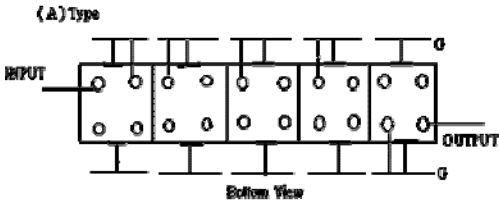
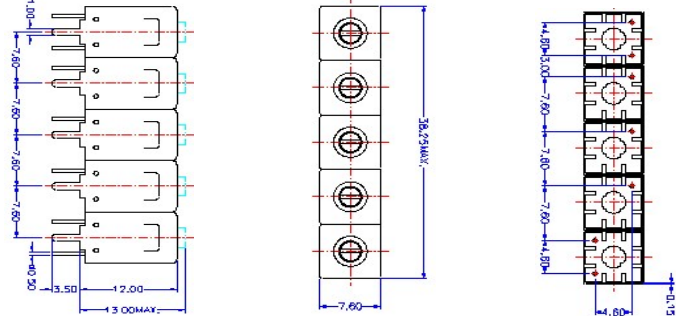


VHF UHF Helical Filter Specification Sheet

Customer Name		Temwell's Part No.	TV6569A-634.5M
Approval No. /dated	201912023CD	Temwell's Print name.	6569A 634.5M
Work Instruction No.	201912023CD	Date	Jan.09.2020

(1) Pin Position	(2) Size Diagram
 <p>(A) Type Bottom View</p>	

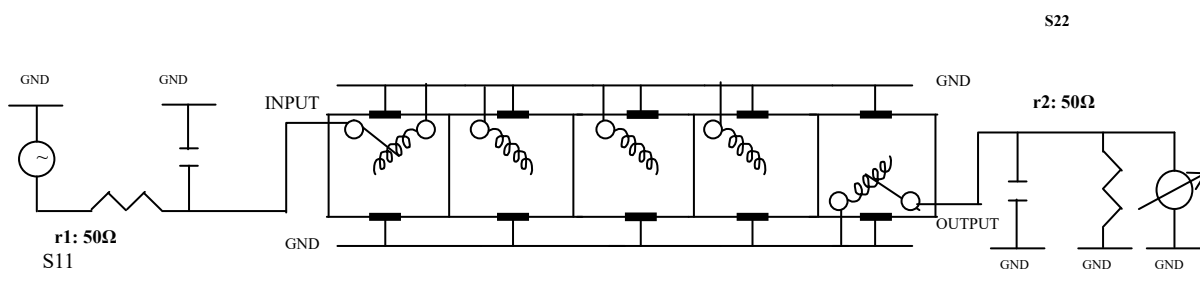
(3) Electric Character			
Item	Specify	Performance	
Center Freq.(Fo) +/- 0.5 %	634.5 MHz	634.5 MHz	
Insertion Loss	Typ. 3.5 dB	2.26 dB	
-3 dB Bandwidth	Typ 35 MHz	37.8 MHz	
Sensitivity (Attenuation)	Fo- 100 MHz	Typ. 64 dBc	74 dBc
	Fo+ 100 MHz	Typ. 58 dBc	68 dBc
	Fo- MHz	Typ. dBc	dBc
	Fo+ MHz	Typ. dBc	dBc
Return Loss	Min. 12 dB	17.9 dB	
Ripple	< 1 dB	dB	
Impedance	In / Out : 50 Ω	In / Out : 50 Ω	

(4) Torque for Tuning Screw > 60gf · cm

(5) Temperature Condition:	
Operating Temperature	0°C ~ +60°C
Storage Temperature	-20°C ~ +70°C

(6) Input Power > 1 Watt

(7) Measuring Circuit: ※Easy to match Impedance S11/S22 50Ω by parallel with about(- -).



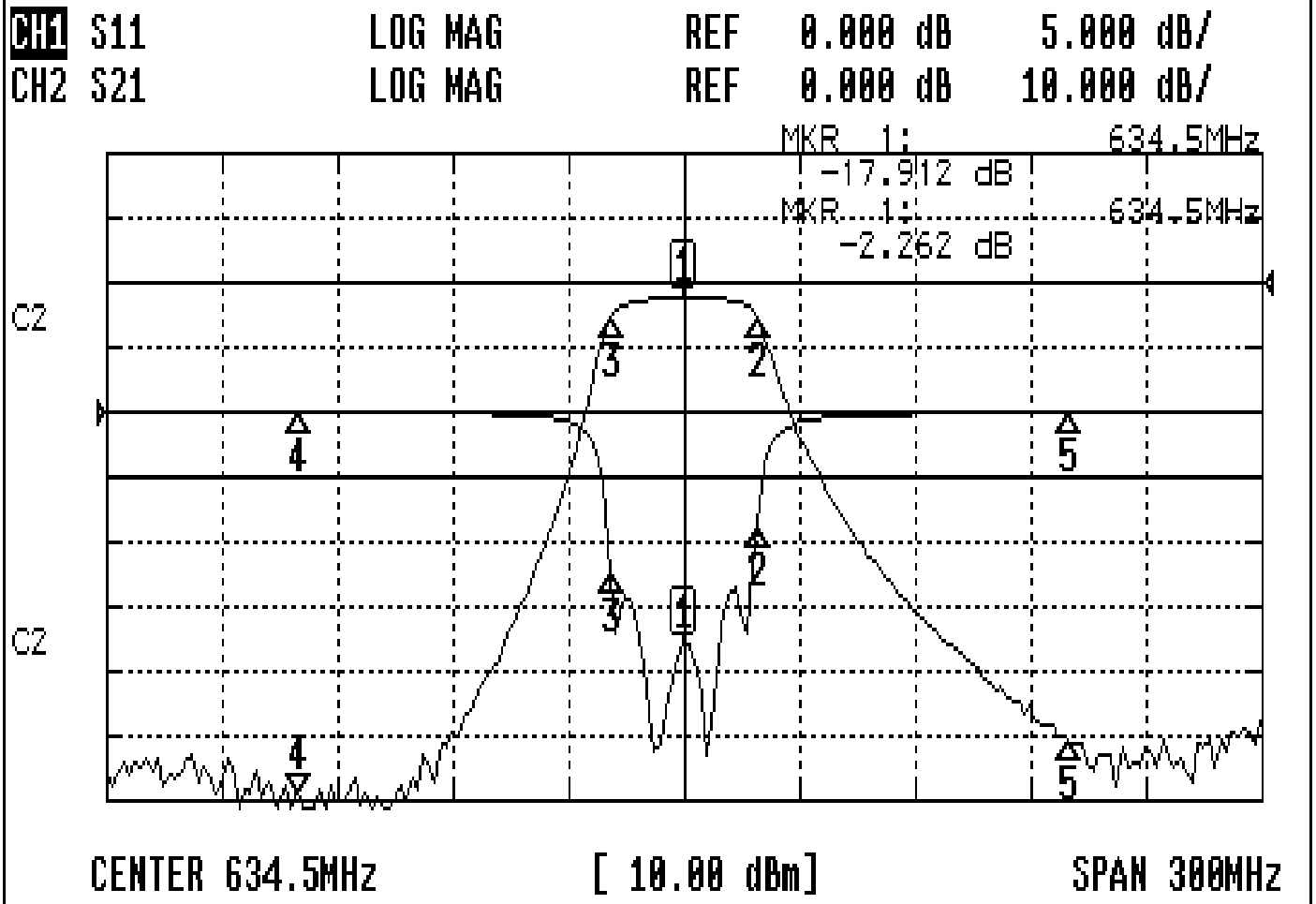
(Bottom View)

Approval	Supervisor	Designer	Aperture size
C.Y.Chang	C.K.Chang	Z.Y.Wang	7H5S(4*5.5)(5.53) 7H046LB5

TEMWELL CORPORATION

Performance- TV6569A-634.5M

201912023CD



CH1 MARKER LIST

1:	634.500MHz	-17.912	dB
2:	653.410MHz	-8.900	dB
3:	615.560MHz	-12.738	dB
4:	534.500MHz	-0.008	dB
5:	734.500MHz	-0.044	dB
10:			

CH2 MARKER LIST

1:	634.500MHz	-2.262	dB
2:	653.410MHz	-15.273	dB
3:	615.560MHz	-15.273	dB
4:	534.500MHz	-76.866	dB
5:	734.500MHz	-70.712	dB
10:			