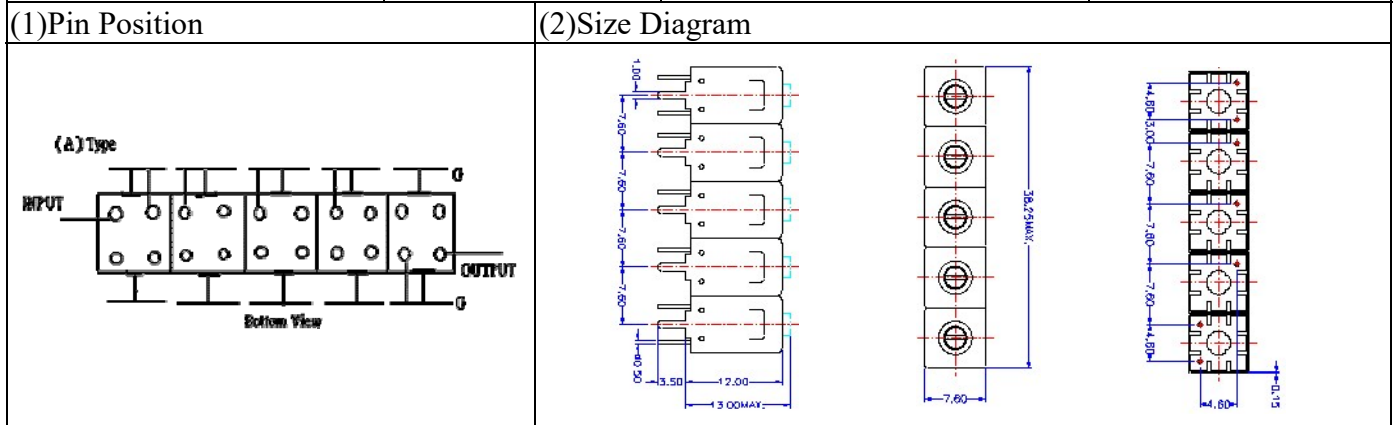


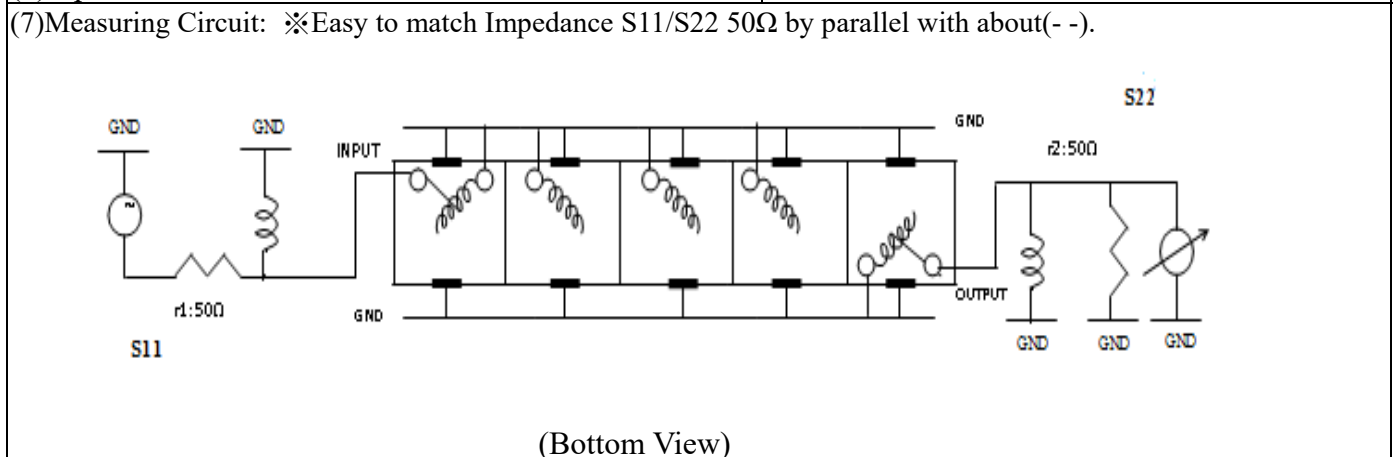
# VHF UHF Helical Filter Specification Sheet

|                      |             |                       |               |
|----------------------|-------------|-----------------------|---------------|
| Customer Name        |             | Temwell's Part No.    | TV6564A-806M  |
| Approval No. /dated  | 201912018CD | Temwell's Print name. | 6564A<br>806M |
| Work Instruction No. | 201912018CD | Date                  | Jan.24.2020   |



| (3) Electric Character       |            |                 |                 |
|------------------------------|------------|-----------------|-----------------|
| Item                         |            | Specify         | Performance     |
| Center Freq.(Fo) +/- 0.5 %   |            | 806 MHz         | 806 MHz         |
| Insertion Loss               |            | Typ. 4.0 dB     | 2.97 dB         |
| -3 dB Bandwidth              |            | Typ 30 MHz      | 32..0 MHz       |
| Sensitivity<br>(Attenuation) | Fo- 50 MHz | Typ. 54 dBc     | 59 dBc          |
|                              | Fo+ 50 MHz | Typ. 36 dBc     | 41 dBc          |
|                              | Fo- MHz    | Typ. dBc        | dBc             |
|                              | Fo+ MHz    | Typ. dBc        | dBc             |
| Return Loss                  |            | Min. 12 dB      | 25.0 dB         |
| Ripple                       |            | < 1 dB          | dB              |
| Impedance                    |            | In / Out : 50 Ω | In / Out : 50 Ω |
| (4) Torque for Tuning Screw  |            | > 60gf · cm     |                 |

|                            |               |
|----------------------------|---------------|
| (5) Temperature Condition: |               |
| Operating Temperature      | 0°C ~ +60°C   |
| Storage Temperature        | -20°C ~ +70°C |
| (6) Input Power            | > 1Watt       |



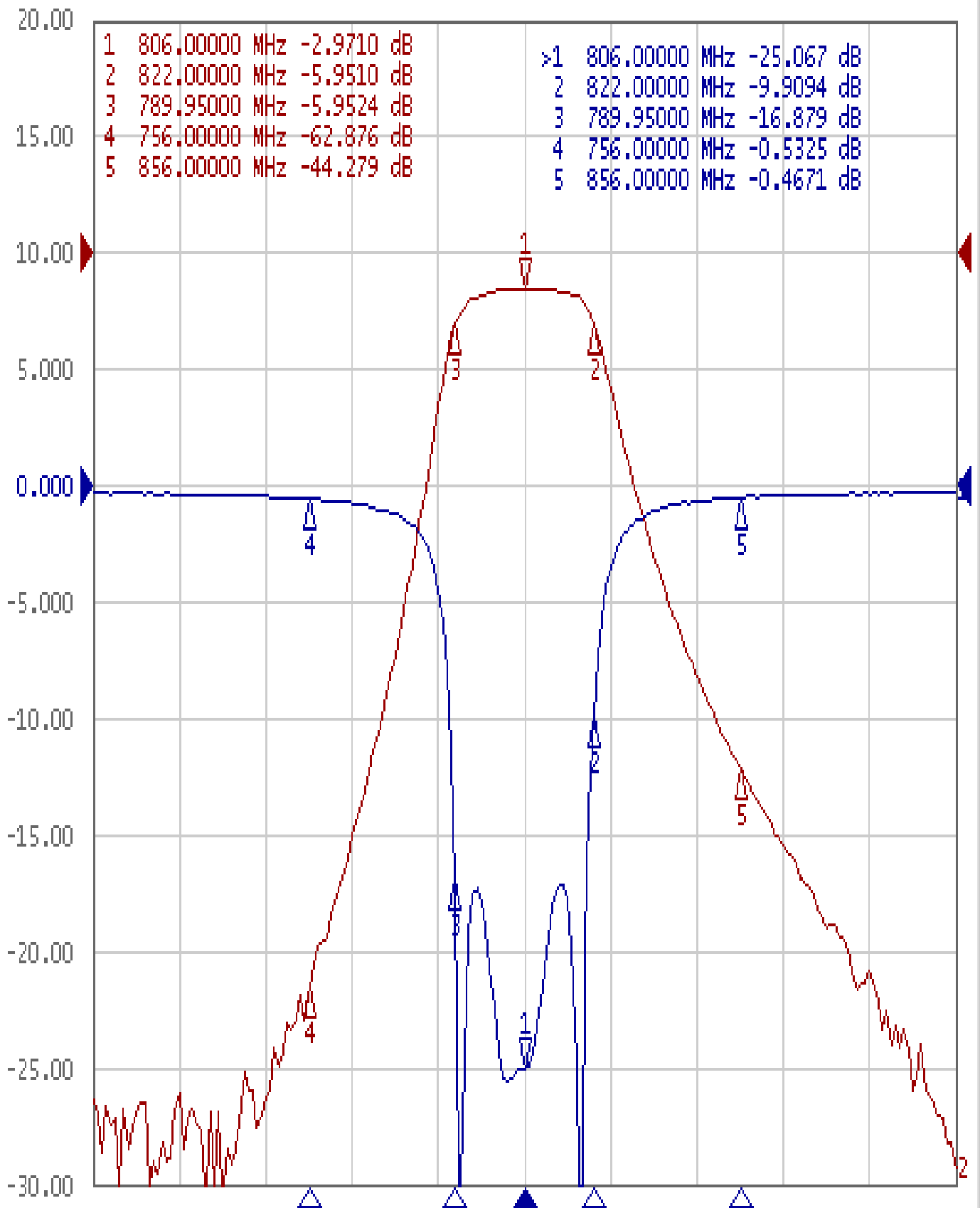
|                     |            |          |   |
|---------------------|------------|----------|---|
| Approval            | Supervisor | Designer | Aperture size   |
| C.Y.Chang           | C.K.Chang  | W.W.Wang | 7H5S(4*6.5)(6.53)<br>7H046LB5(左)<br>7H046LB4.3 聚 3(中) |
| TEMWELL CORPORATION |            |          |   |

# Performance- TV6564A-806M

## 201912018CD

Tr1 S11 Log Mag 5.000dB/ Ref 0.000dB [F2]

Tr2 S21 Log Mag 10.00dB/ Ref 0.000dB [F2]



1 Center 806 MHz

IFBW 70 kHz

Span 200 MHz

Cor !