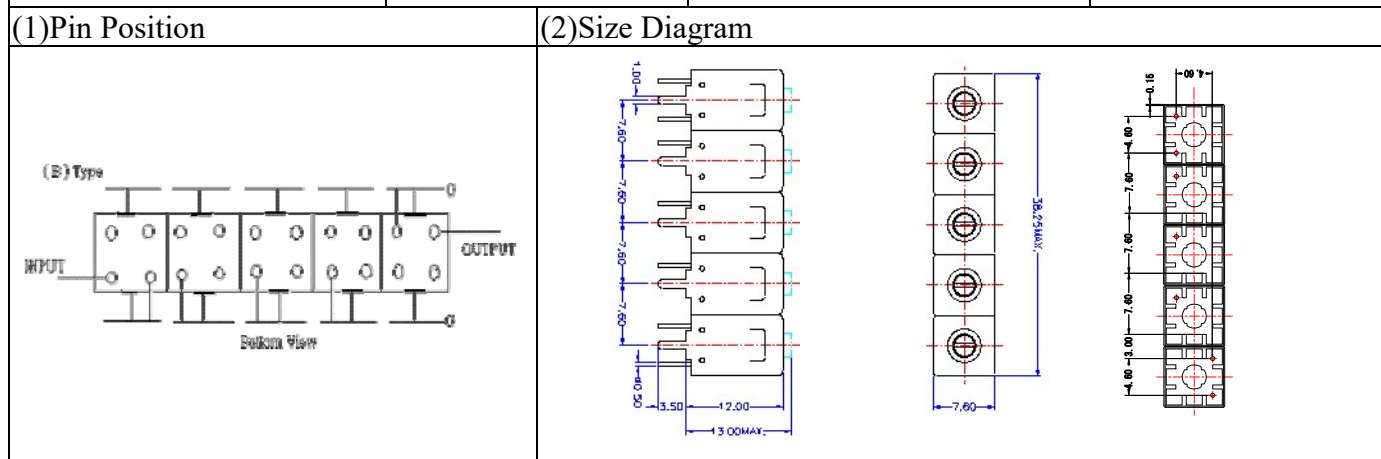


VHF UHF Helical Filter Specification Sheet

Customer Name		Temwell's Part No.	TV6562B-737.5M
Approval No. /dated	201912016CD	Temwell's Print name.	6562B 737.5M
Work Instruction No.	201912016CD	Date	Dec.18.2019



(3) Electric Characteristic

Item	Specify	Performance
Center Freq.(Fo) +/- 0.5 %	737.5 MHz	737.5 MHz
Insertion Loss	Typ. 5.5 dB	4.84 dB
-3 dB Bandwidth	Typ. 17 MHz	19.3 MHz
Sensitivity (Attenuation)	Fo - 50 MHz	Typ. 60 dBc
	Fo +50 MHz	Typ. 60 dBc
	Fo - ()MHz	Typ. dBc
	Fo +()MHz	Typ. dBc
Return Loss	Min. 12 dB	13.4 dB
Ripple	< 1 dB	dB
Impedance	In / Out : 50 Ω	In / Out : 50 Ω

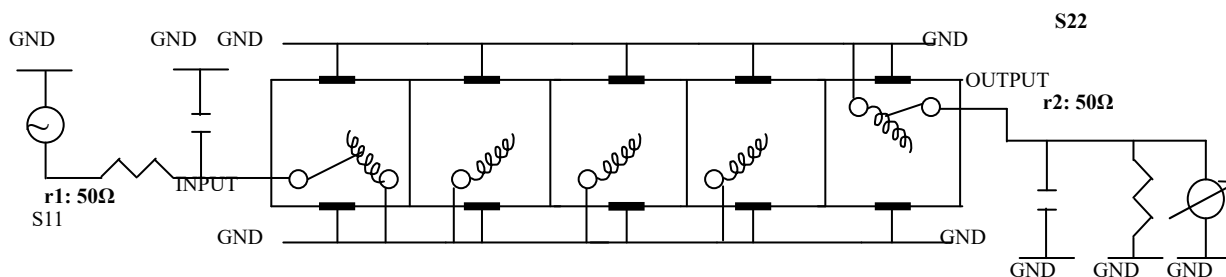
(4) Torque for Tuning Screw > 60gf · cm

(5) Temperature Condition:

Operating Temperature	0°C ~ +60°C
Storage Temperature	-20°C ~ +70°C

(6) Input Power > 1Watt

(7) Measuring Circuit: ※Easy to match Impedance S11/S22 50Ω by parallel with about(- -).



(Bottom View)

Approval C.Y.Chang	Supervisor C.K.Chang	Designer P.H.Chiang	Aperture size 7H5S(4*5.5)(5.57) 7H046RB4
-----------------------	-------------------------	------------------------	--

TEMWELL CORPORATION

TEMWELL

Form10-7H5B Vision D

RP(P-H)

Performance-TV6562B-737.5M

201912016CD

