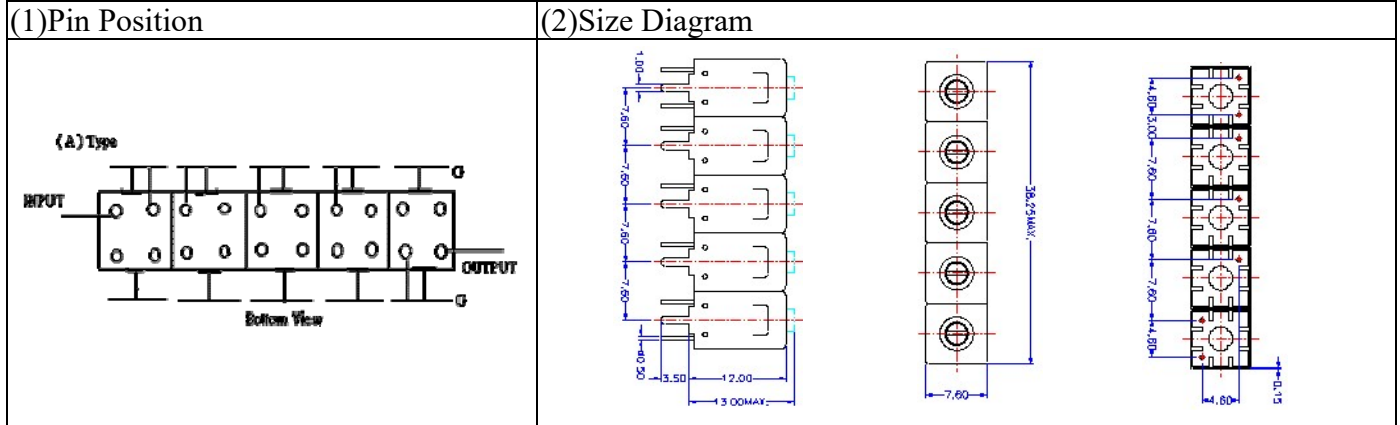


# VHF UHF Helical Filter Specification Sheet

Customer Name		Temwell's Part No.	TV6560A-942.5M
Approval No. /dated	201912014CD	Temwell's Print name.	6560A 942.5M
Work Instruction No.	201912014CD	Date	Dec.18.2019



(3) Electric Character

Item	Specify	Performance
Center Freq.(Fo) +/- 0.5 %	942.5 MHz	942.5 MHz
Insertion Loss	Typ. 3.5 dB	3.03 dB
-3 dB Bandwidth	Typ. 35 MHz	41.2 MHz
Sensitivity (Attenuation)	Fo- 50 MHz	Typ. 45 dBc
	Fo+ 50 MHz	Typ. 35 dBc
	Fo- MHz	Typ. dBc
	Fo+ MHz	Typ. dBc
Return Loss	Min. 12 dB	16.5 dB
Ripple	< 1 dB	1 dB
Impedance	In / Out : 50 Ω	In / Out : 50 Ω

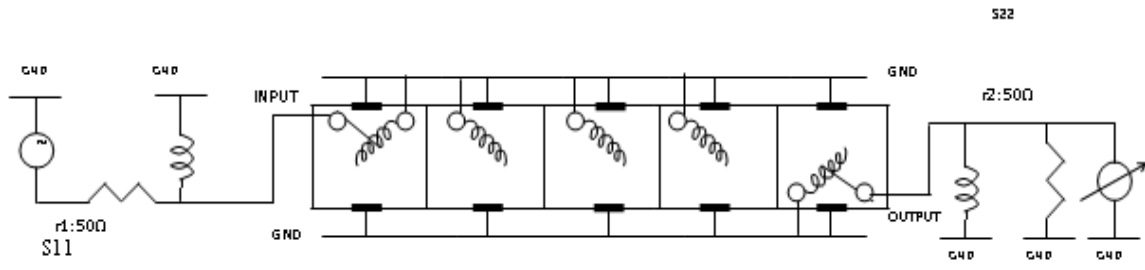
(4) Torque for Tuning Screw > 60gf • cm

(5) Temperature Condition:

Operating Temperature	0°C ~ +60°C
Storage Temperature	-20°C ~ +70°C

(6) Input Power > 1 Watt

(7) Measuring Circuit: ※Easy to match Impedance S11/S22 50Ω by parallel with about(- -).



(Bottom View)

Approval	Supervisor	Designer	Aperture size
C.Y.Chang	C.K.Chang	P.H.Chiang	7H5S(4*4.65)(4.68) 7H046LB5

TEMWELL CORPORATION

# Performance- TV6560A-942.5M

## 201912014CD

