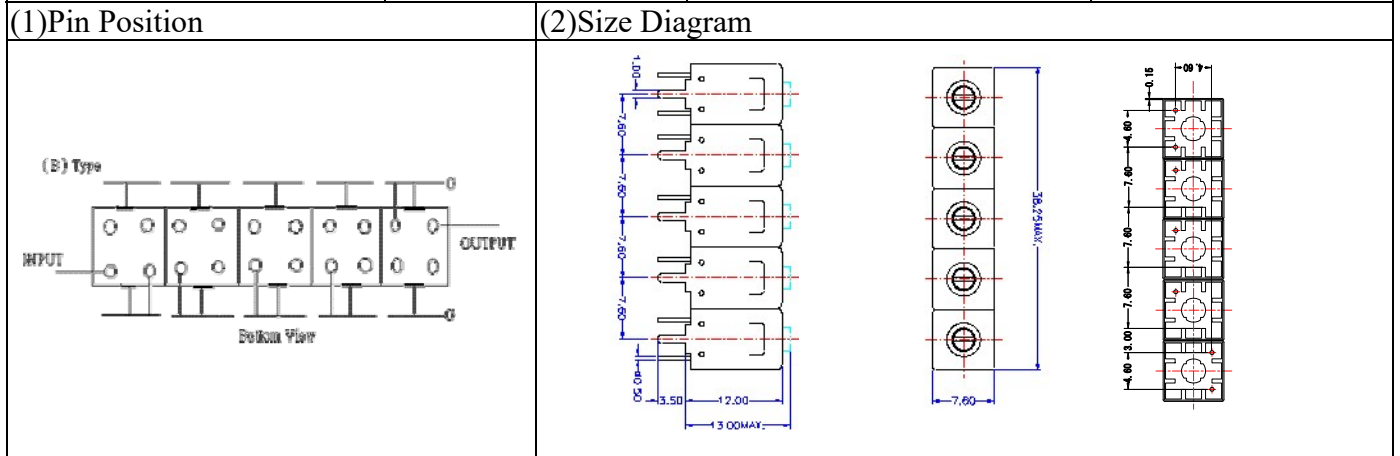


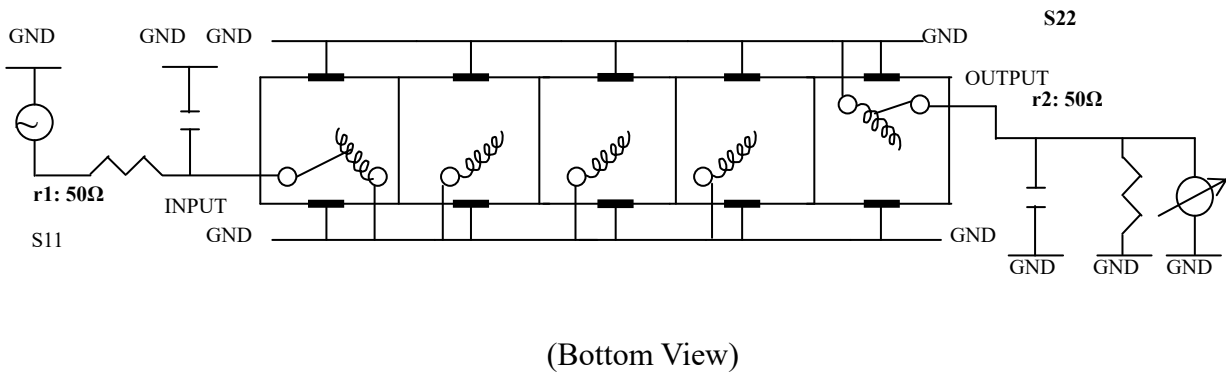
VHF UHF Helical Filter Specification Sheet

Customer Name		Temwell's Part No.	TV65498B-1600M
Approval No. /dated	202002058CD	Temwell's Print name.	65498B 1600M
Work Instruction No.	202002058CD	Date	Mar.27.2020



(3) Electric Characteristic			
Item		Specify	Performance
Center Freq.(Fo) +/- 0.5 %		1600 MHz	1600 MHz
Insertion Loss		Typ. 7.0 dB	5.74 dB
-3 dB Bandwidth		Typ. 20 MHz	30.0 MHz
Sensitivity (Attenuation)	Fo - 100 MHz	Typ. 60 dB	70 dB
	Fo + 100 MHz	Typ. 50 dB	55 dB
	Fo - ()MHz	Typ. dBc	dBc
	Fo +()MHz	Typ. dBc	dBc
Return Loss		Min. 12 dB	25.6 dB
Ripple		< 1 dB	dB
Impedance		In / Out : 50 Ω	In / Out : 50 Ω
(4) Torque for Tuning Screw		> 60gf • cm	
(5) Temperature Condition:			
Operating Temperature		0°C ~ +60°C	
Storage Temperature		-20°C ~ +70°C	
(6) Input Power		> 1Watt	

(7) Measuring Circuit: ※Easy to match Impedance S11/S22 50Ω by parallel with about(- -).



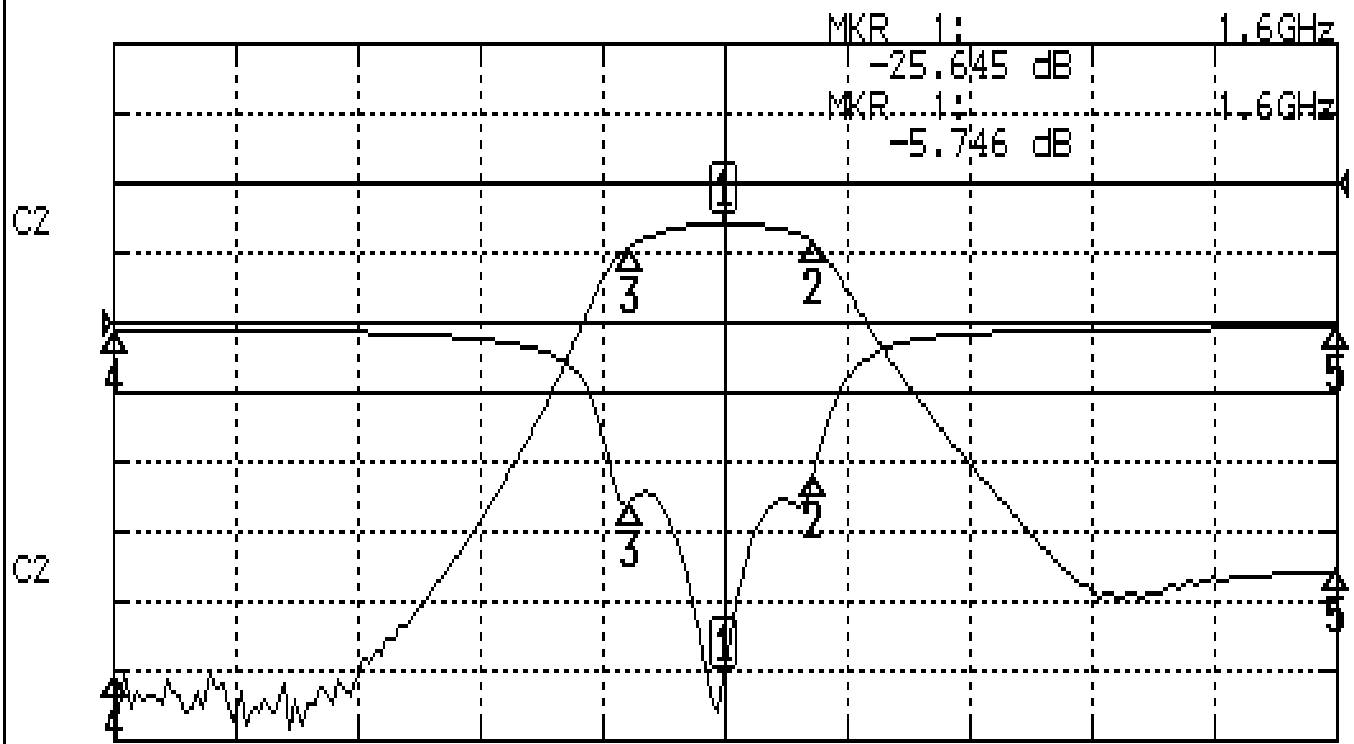
Approval	Supervisor	Designer	Aperture size
C.C.Chang	C.K.Chang	Z.Y.Wang	7H5S(4*6.35)(6.38) 7H046RB4.3 聚 3(J1)(K)

TEMWELL CORPORATION

Performance-TV65498B-1600M

202002058CD

CH1 S11 LOG MAG REF 0.000 dB 5.000 dB/
CH2 S21 LOG MAG REF 0.000 dB 10.000 dB/



CENTER 1.6GHz

[10.00 dBm]

SPAN 200MHz

CH1 MARKER LIST

1:	1.600	000GHz	-25.645	dB
2:	1.614	666GHz	-10.897	dB
3:	1.584	666GHz	-12.896	dB
4:	1.500	000GHz	-0.470	dB
5:	1.700	000GHz	-0.418	dB

CH2 MARKER LIST

1:	1.600	000GHz	-5.745	dB
2:	1.614	666GHz	-10.758	dB
3:	1.584	666GHz	-10.757	dB
4:	1.500	000GHz	-70.270	dB
5:	1.700	000GHz	-55.478	dB