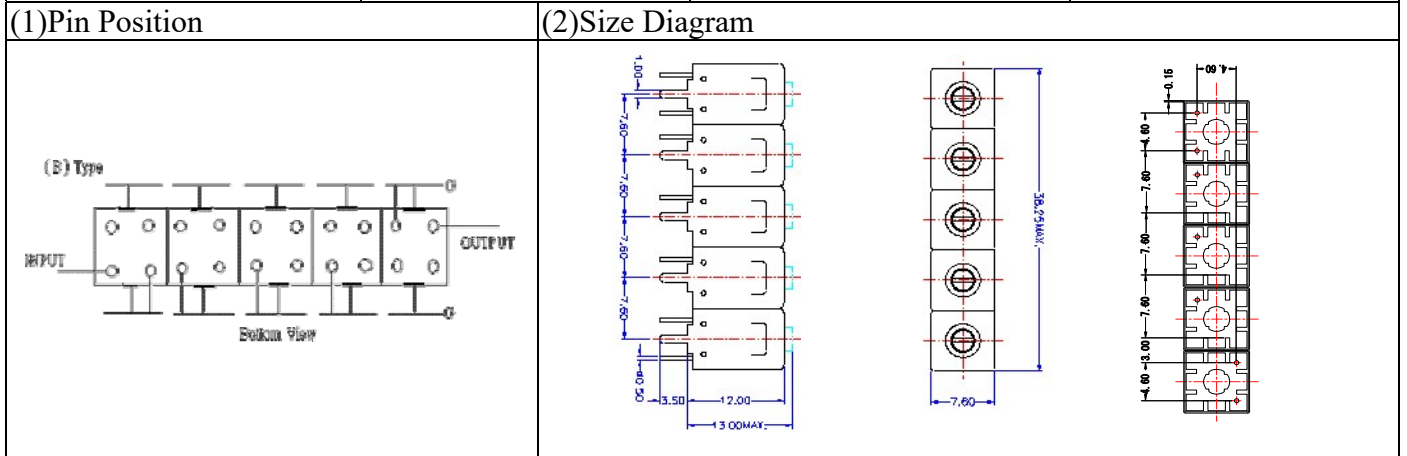


# VHF UHF Helical Filter Specification Sheet

Customer Name		Temwell's Part No.	TV6540B-915M
Approval No. /dated	201806027CD	Temwell's Print name.	6540B 915M
Work Instruction No.	201806027CD	Date	Jul.16.2018



(3) Electric Characteristic

Item	Specify	Performance	
Center Freq.(Fo) +/- 0.5 %	915 MHz	915 MHz	
Insertion Loss	Typ. 5.0 dB	3.98 dB	
-3 dB Bandwidth	Typ. 20 MHz	26.6 MHz	
Sensitivity (Attenuation)	Fo - 40 MHz	Typ. 50 dBc	55 dBc
	Fo + 40 MHz	Typ. 40 dBc	45 dBc
	Fo - ( )MHz	Typ. dBc	dBc
	Fo +( )MHz	Typ. dBc	dBc
Return Loss	Min. 12 dB	18.0 dB	
Ripple	< 1 dB	dB	
Impedance	In / Out : 50 Ω	In / Out : 50 Ω	

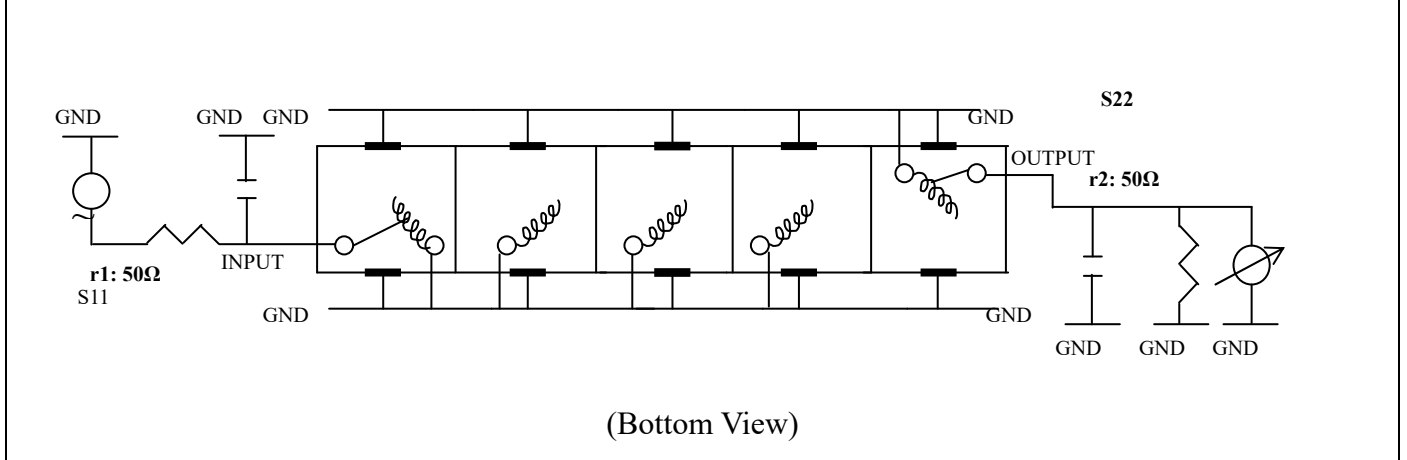
(4) Torque for Tuning Screw > 60gf · cm

(5) Temperature Condition:

Operating Temperature	0°C ~ +60°C
Storage Temperature	-20°C ~ +70°C

(6) Input Power > 1Watt

(7) Measuring Circuit: ※Easy to match Impedance S11/S22 50Ω by parallel with about(- -).



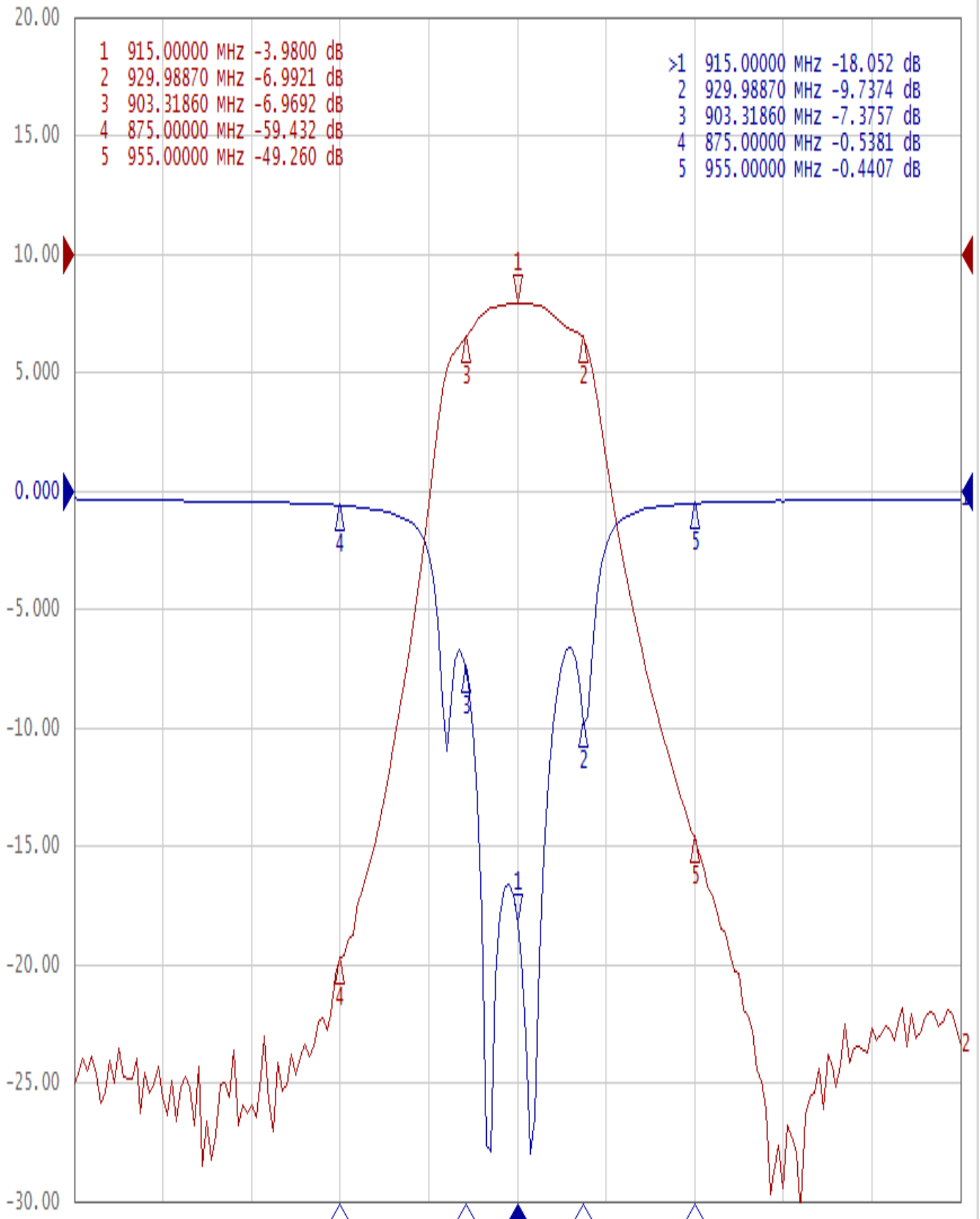
Approval	Supervisor	Designer	Aperture size
C.Y.Chang	C.K.Chang	C.S.Chang	7H5S(4*5.5)(5.62) 7H046RB4

TEMWELL CORPORATION

# Performance-TV6540B-915M

## 201806027CD

Tr1 S11 Log Mag 5.000dB/ Ref 0.000dB [F2]  
Tr2 S21 Log Mag 10.00dB/ Ref 0.000dB [F2]



1 Center 915 MHz

IFBW 70 kHz

Span 200 MHz Cor!