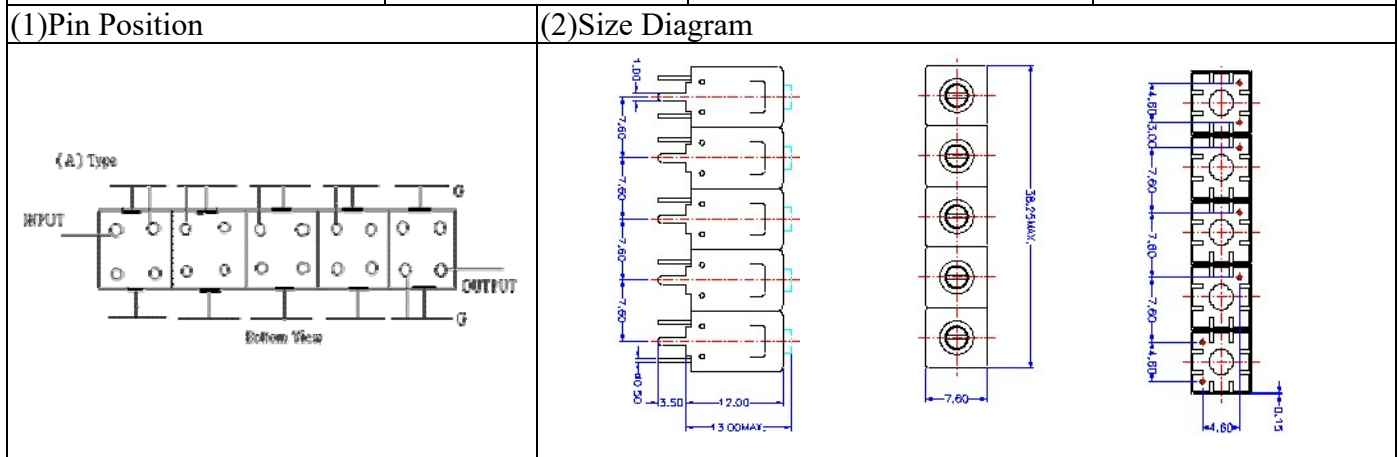


# VHF UHF Helical Filter Specification Sheet

Customer Name		Temwell's Part No.	TV65400A-978M
Approval No. /dated	202002036CD	Temwell's Print Name.	65400A 978M
Work Instruction No.	202002036CD	Date	Feb.25.2020



### (3) Electric Characteristic

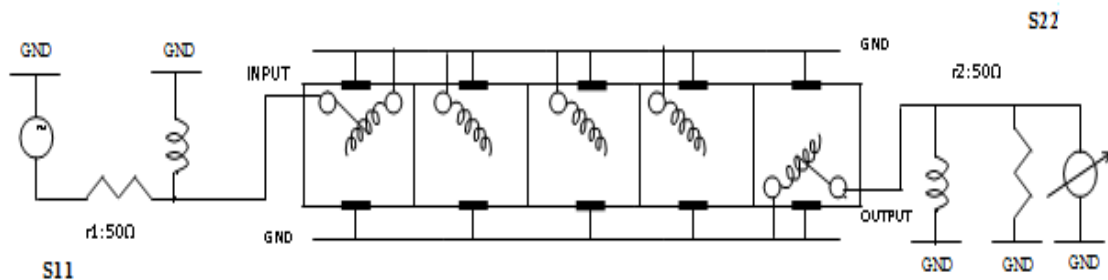
Item	Specify	Performance	
Center Freq.(Fo ) +/- 0.5 %	978 MHz	978 MHz	
Insertion Loss	Typ. 6.0 dB	4.86 dB	
-3 dB Bandwidth	Typ. 15 MHz	20.9 MHz	
Sensitivity (Attenuation)	Fo - 50 MHz	Typ. 56 dBc	66 dBc
	Fo + 50 MHz	Typ. 61 dBc	71 dBc
	Fo - ( )MHz	Typ. dBc	dBc
	Fo +( )MHz	Typ. dBc	dBc
Return Loss	Min. 12 dB	26.9 dB	
Ripple	< 1 dB	dB	
Impedance	In / Out : 50 Ω	In / Out : 50 Ω	
(4) Torque for Tuning Screw	> 60gf • cm		

### (5) Temperature Condition:

Operating Temperature	0°C ~ +60°C
Storage Temperature	-20°C ~ +70°C

### (6) Input Power

(7) Measuring Circuit: ※Easy to match Impedance S11/S22 50Ω by parallel with about(- -).



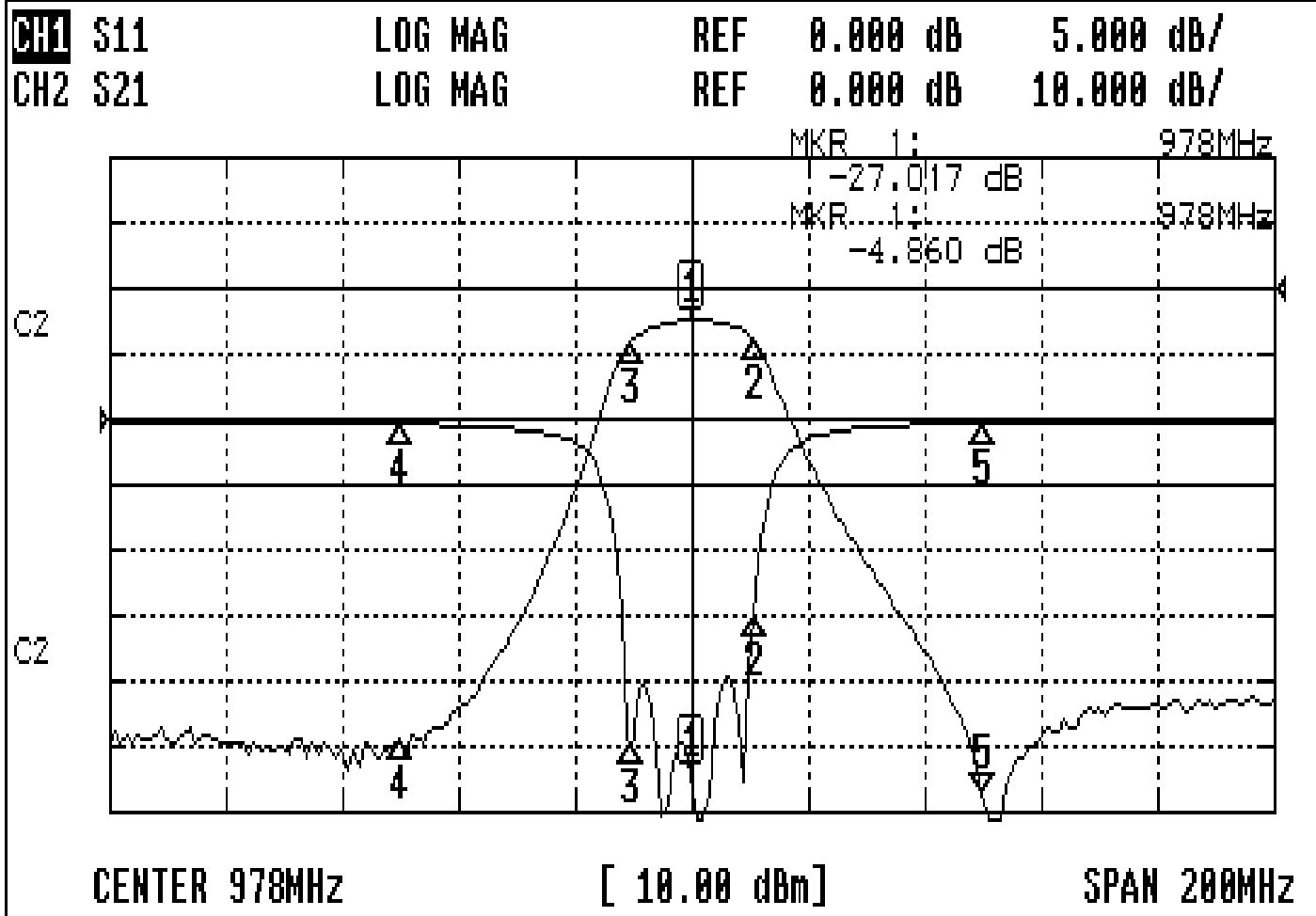
(Bottom View)

Approval	Supervisor	Designer	Aperture size
C.C.Chang	C.K.Chang	C.H.Yeh	7H5S(4*5.35)(5.41) 7H046LB4.3 聚 3

TEMWELL CORPORATION

# Performance- TV65400A-978M

## 202002036CD



### CH1 MARKER LIST

Marker	Frequency	Magnitude	Reference
1	978.000000 MHz	-26.985	0.000000
2	988.666667 MHz	-15.432	0.000000
3	966.666667 MHz	-24.820	0.000000
4	928.000000 MHz	-0.368	0.000000
5	1.028000 GHz	-0.331	0.000000

### CH2 MARKER LIST

Marker	Frequency	Magnitude	Reference
1	978.000000 MHz	-4.860	0.000000
2	988.666667 MHz	-7.835	0.000000
3	966.666667 MHz	-7.850	0.000000
4	928.000000 MHz	-71.284	0.000000
5	1.028000 GHz	-76.291	0.000000