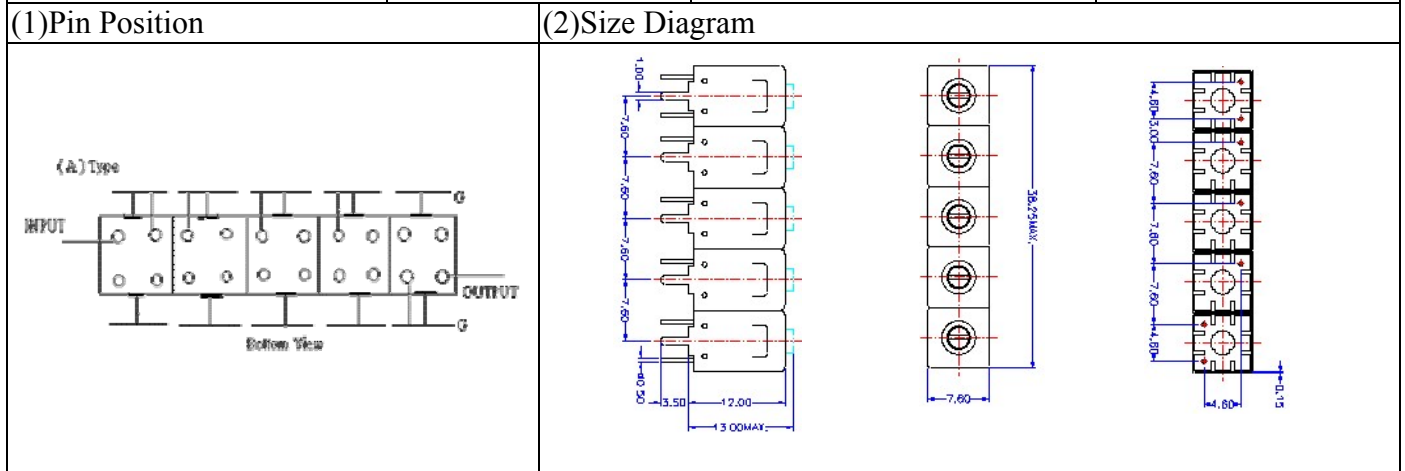


VHF UHF Helical Filter Specification Sheet

Customer Name		Temwell's Part No.	TV6538A-223.5M-50M
Approval No. /dated	201806025CD	Temwell's Print Name.	6538A 223.5M
Work Instruction No.	201806025CD	Date	Jun.27.2018



(3) Electric Characteristic

Item	Specify	Performance
Center Freq.(Fo) +/- 0.5 %	223.5 MHz	223.5 MHz
Insertion Loss	Typ. 2.5 dB	1.39 dB
-3 dB Bandwidth	Typ. 50 MHz	52.6 MHz
Sensitivity (Attenuation)	Fo - 40 MHz	Typ. 33 dBc
	Fo +40 MHz	Typ. 19 dBc
	Fo - ()MHz	Typ. dBc
	Fo +()MHz	Typ. dBc
Return Loss	Min. 12 dB	18.6 dB
Ripple	< 1 dB	dB
Impedance	In / Out : 50 Ω	In / Out : 50 Ω

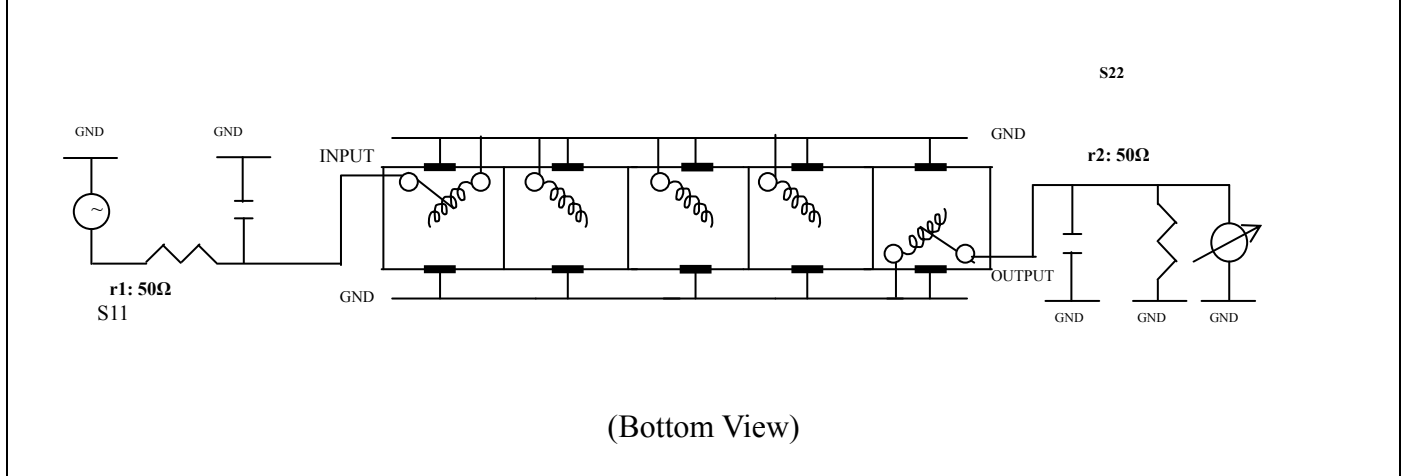
(4) Torque for Tuning Screw > 60gf · cm

(5) Temperature Condition:

Operating Temperature	0°C ~ +60°C
Storage Temperature	-20°C ~ +70°C

(6) Input Power > 1Watt

(7) Measuring Circuit: ※Easy to match Impedance S11/S22 50Ω by parallel with about(- -).



Approval C.Y.Chang	Supervisor C.K.Chang	Designer P.H.Chiang	Aperture size 7H5S-4*6.5(6.58) 7H046LB6.6
-----------------------	-------------------------	------------------------	---

TEMWELL CORPORATION

Performance-TV6538A-223.5M-50M

201806025CD

