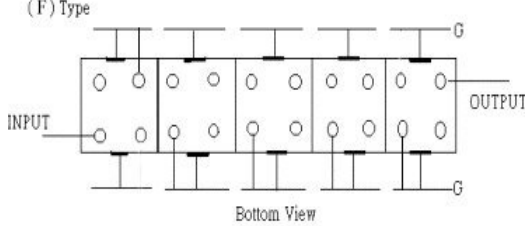
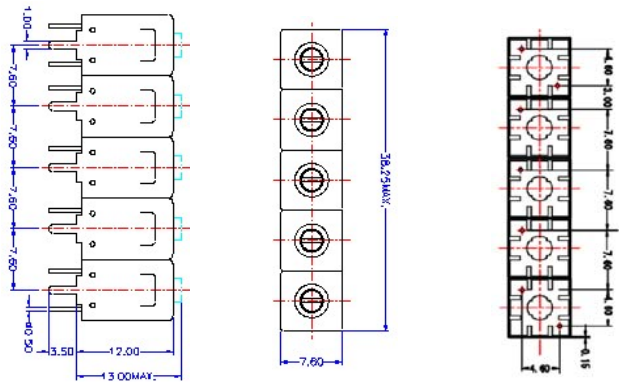


# VHF UHF Helical Filter Specification Sheet

Customer Name		Temwell's Part No.	TV65386F-850M
Approval No. /dated		Temwell's Print Name.	65386F 850M
Work Instruction No.	202008025CD	Date	Oct.21.2020

(1)Pin Position	(2)Size Diagram
 <p>(F) Type Bottom View</p>	

### (3)Electric Character

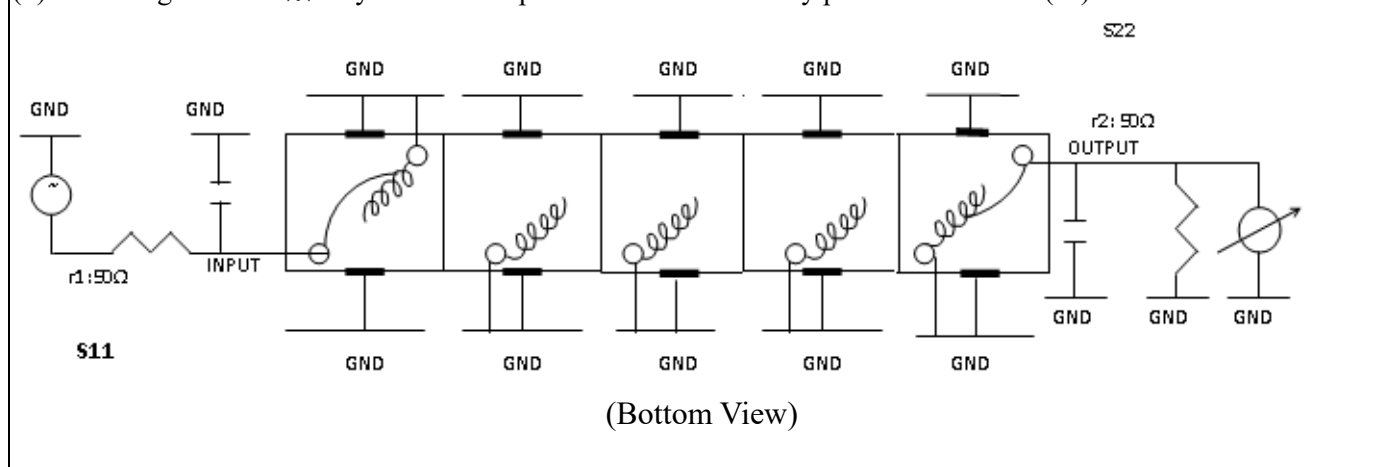
Item	Specify	Performance	
Center Freq.(Fo) +/- 0.5 %	850 MHz	850 MHz	
Insertion Loss	Typ. 2.5 dB	1.29 dB	
-3 dB Bandwidth	Typ. 120 MHz	125.6 MHz	
Sensitivity (Attenuation)	Fo - 200 MHz	Typ. 62 dBc	72 dBc
	Fo + 200 MHz	Typ. 50 dBc	60 dBc
	Fo - ( )MHz	Typ. dB	dB
	Fo +( )MHz	Typ. dB	dB
Return Loss	Min. 12 dB	25.9 dB	
Ripple	< 1 dB	dB	
Impedance	In / Out : 50 Ω	In / Out : 50 Ω	
(4)Torque for Tuning Screw	> 60gf · cm		

### (5)Temperature Condition:

Operating Temperature	0°C ~ +60°C
Storage Temperature	-20°C ~ +70°C

### (6)Input Power

(7)Measuring Circuit: ※Easy to match Impedance S11/S22 50Ω by parallel with about(- -).

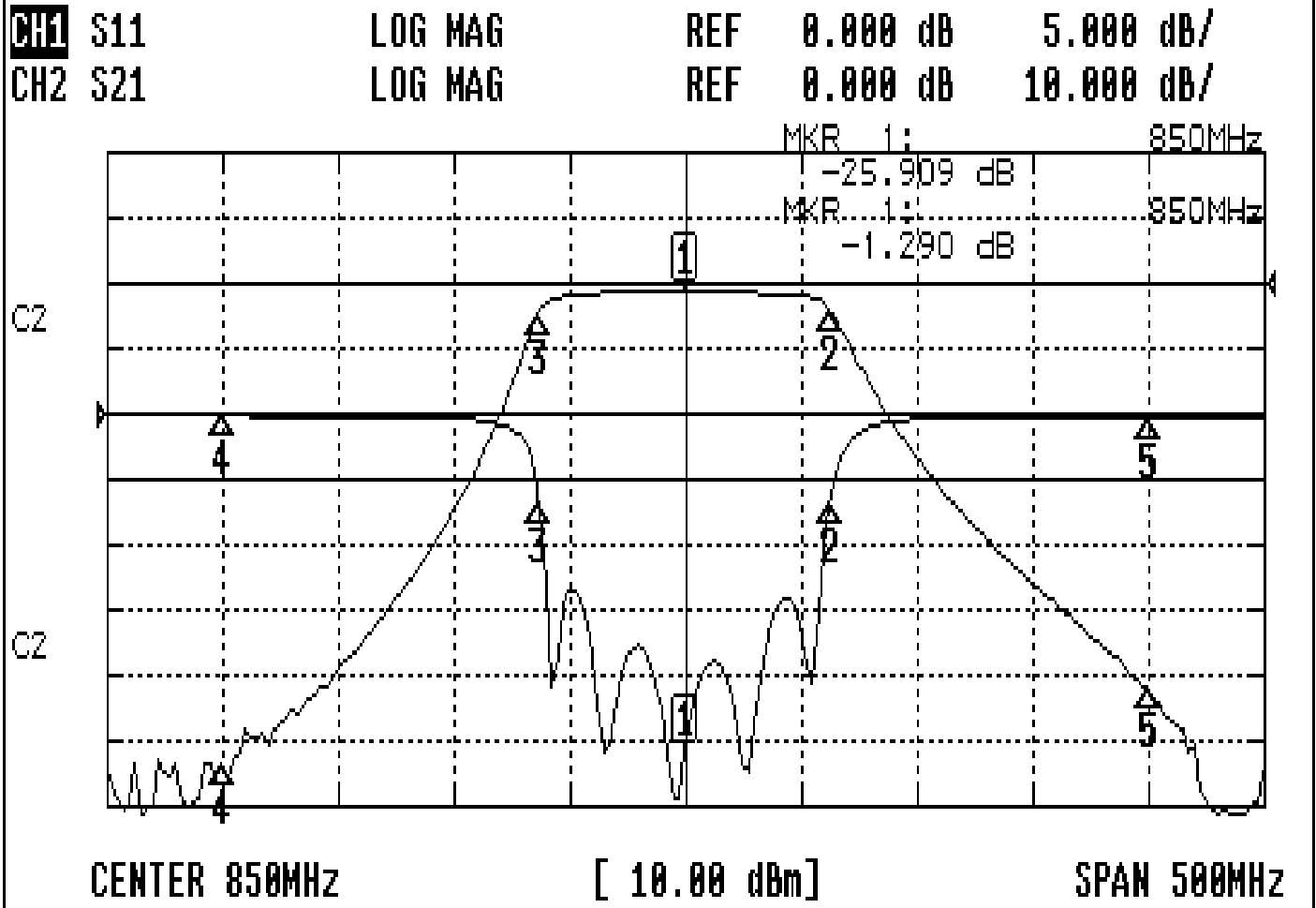


Approval	Supervisor	Designer	Aperture size
C.C.Chang	C.K.Chang	C.H.Yeh	7H5S(4*6.5)(6.52) 7H046RB6.5

TEMWELL CORPORATION

# Performance-TV65386F-850M

## 202008025CD



### CH1 MARKER LIST

1	850.000MHz	-25.909	dB
2	912.900MHz	-16.648	dB
3	787.280MHz	-7.061	dB
4	650.000MHz	-0.143	dB
5	1.050000GHz	-0.184	dB

### CH2 MARKER LIST

1	850.000MHz	-1.290	dB
2	912.900MHz	-4.284	dB
3	787.280MHz	-4.307	dB
4	650.000MHz	-73.531	dB
5	1.050000GHz	-61.941	dB