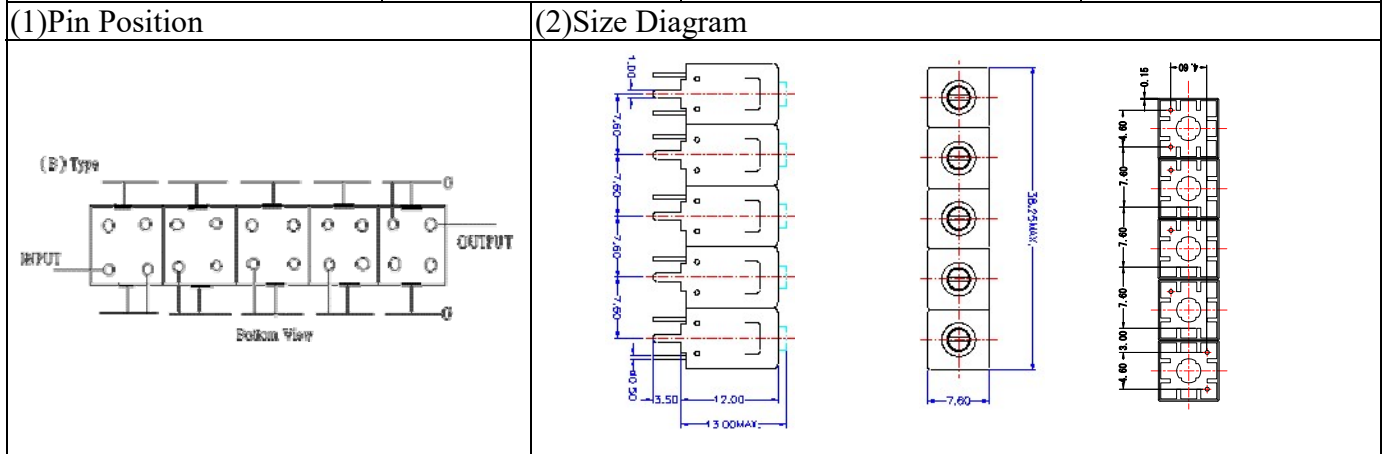


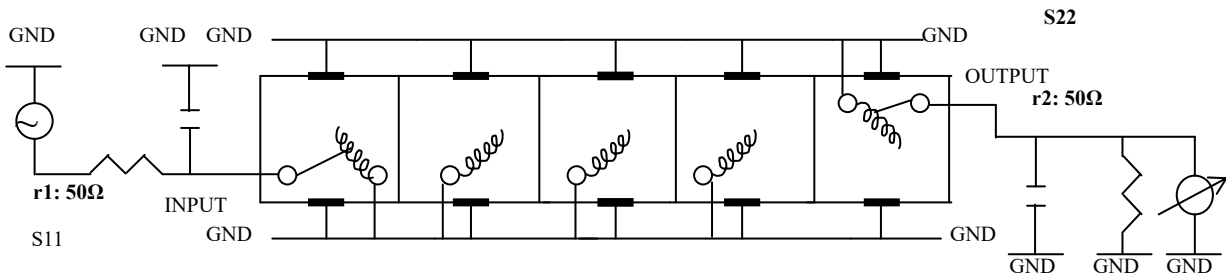
VHF UHF Helical Filter Specification Sheet

Customer Name		Temwell's Part No.	TV65366B-650M
Approval No. /dated		Temwell's Print name.	65366B 650M
Work Instruction No.	202010039CD	Date	Nov.27.2020



(3) Electric Characteristic			
Item		Specify	Performance
Center Freq.(Fo) +/- 0.5 %		650 MHz	650 MHz
Insertion Loss		Typ. 2.5 dB	1.23 dB
-3 dB Bandwidth		Typ. 120 MHz	124.2 MHz
Sensitivity (Attenuation)	Fo - 150 MHz	Typ. 61 dBc	71 dBc
	Fo + 150 MHz	Typ. 33 dBc	38 dBc
	Fo - ()MHz	Typ. dBc	dBc
	Fo +()MHz	Typ. dBc	dBc
Return Loss		Min. 12 dB	15.8 dB
Ripple		< 1 dB	dB
Impedance		In / Out : 50 Ω	In / Out : 50 Ω
(4) Torque for Tuning Screw		> 60gf · cm	
(5) Temperature Condition:			
Operating Temperature		0°C ~ +60°C	
Storage Temperature		-20°C ~ +70°C	
(6) Input Power		> 1Watt	

(7) Measuring Circuit: ※Easy to match Impedance S11/S22 50Ω by parallel with about(- -).



(Bottom View)

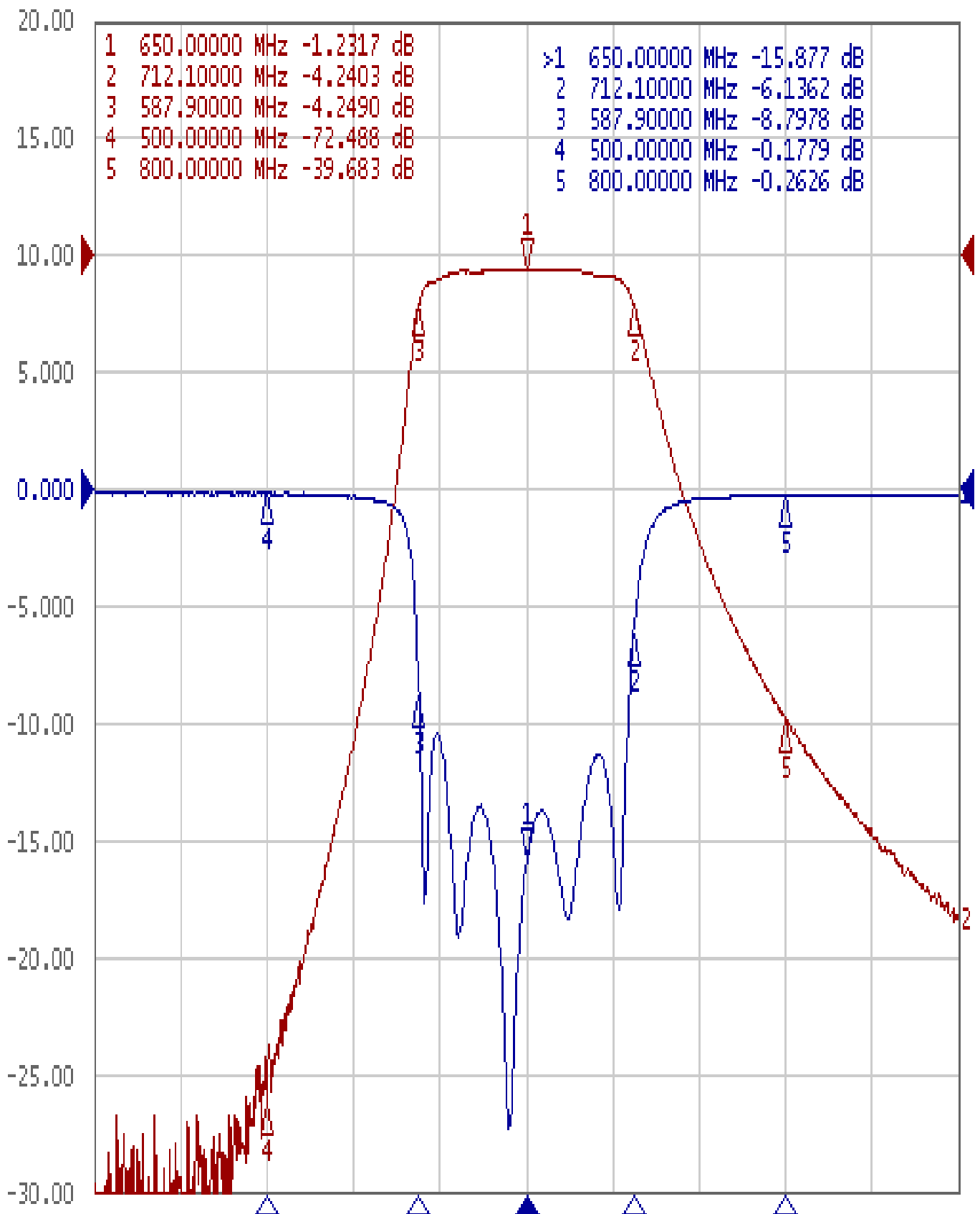
Approval C.C.Chang	Supervisor C.K.Chang	Designer W.H.Wang	Aperture size 7H5S(4*8.0)(8.05) 7H046RB6.5(J2)
-----------------------	-------------------------	----------------------	--

TEMWELL CORPORATION

Performance-TV65366B-650M

202010039CD

Tr1 S11 Log Mag 5.000dB/ Ref 0.000dB [F2]
Tr2 S21 Log Mag 10.000dB/ Ref 0.000dB [F2]



1 Center 650 MHz

IFBW 70 kHz

Span 500 MHz Cor !