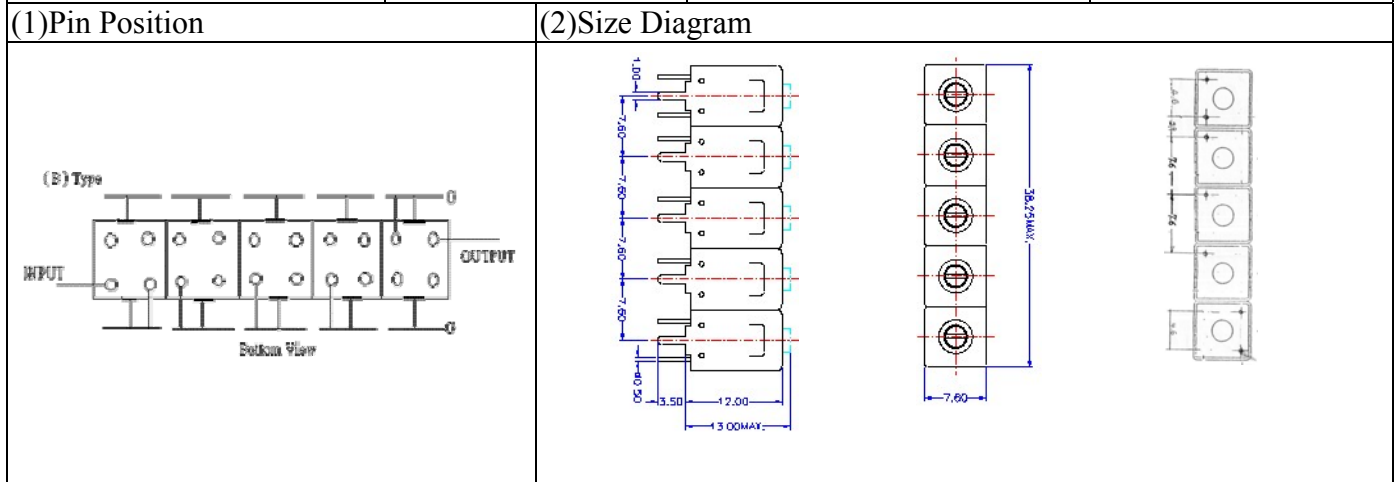


VHF UHF Helical Filter Specification Sheet

Customer Name		Temwell's Part No.	TV65361B-313M
Approval No. /dated	0912017APR	Temwell's Print name.	65361B 313M
Work Instruction No.	200912017BD	Date	Jan.26.2010



(3) Electric Charasteric

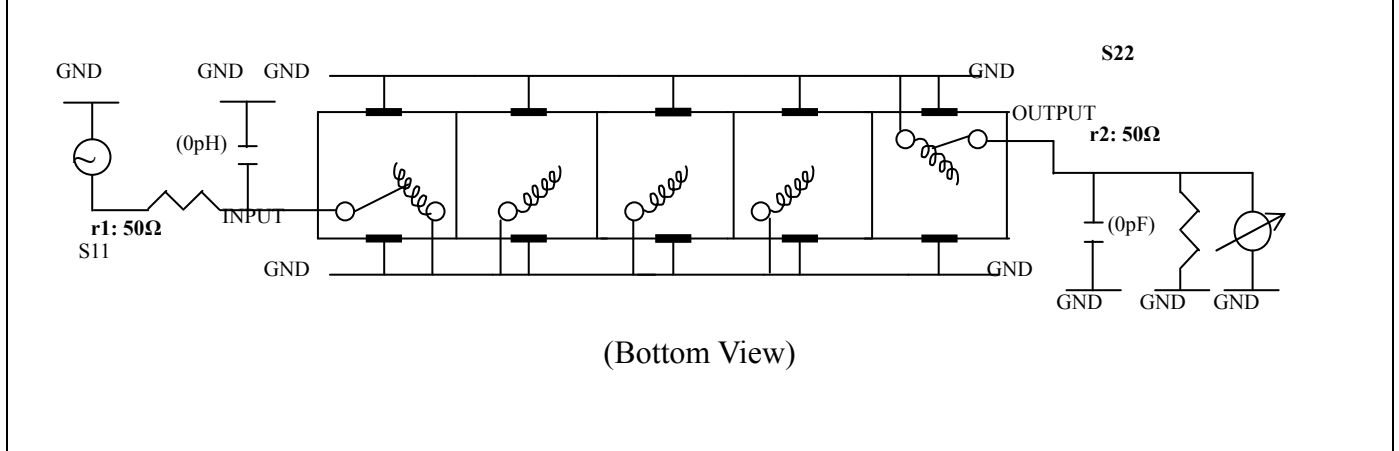
Item	Specify	Performance
Center Freq.(Fo) +/- 0.5 %	313 MHz	313 MHz
Insertion Loss	Typ. 2.0 dB	0.98 dB
-3 dB Bandwidth	Typ. 95 MHz	98.4 MHz
Sensitivity (Attenuation)	Fo - 220 MHz	Typ. 80 dBc
	Fo + 220 MHz	Typ. 55 dBc
	Fo - ()MHz	Typ. dBc
	Fo +()MHz	Typ. dBc
Return Loss	Min. 12 dB	17.5 dB
Ripple	< 1 dB	dB
Impedance	In / Out : 50 Ω	In / Out : 50 Ω
(4) Torque for Tuning Screw	> 60gf • cm	

(5) Temperature Condition:

Operating Temperature	0°C ~ +60°C
Storage Temperature	-20°C ~ +70°C

(6) Input Power

(7) Measuring Circuit: ※Easy to match Impedance S11/S22 50Ω by parallel with about(0pH) / (0pF).



Approval	Supervisor	Designer	Aperture size
C.Y.Chang	C.K.Chang	C.S.Chang	7H5(4*7.5)(7.61) 7H046RB6.5

TEMWELL CORPORATION

Performance-TV65361B-313M

200912017BD

