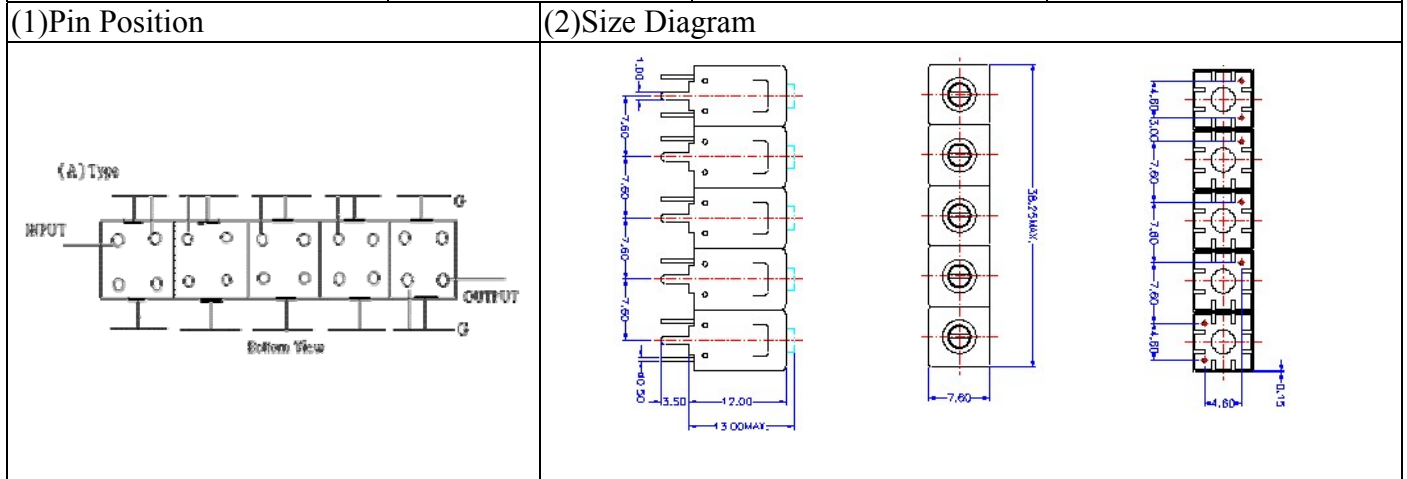


VHF UHF Helical Filter Specification Sheet

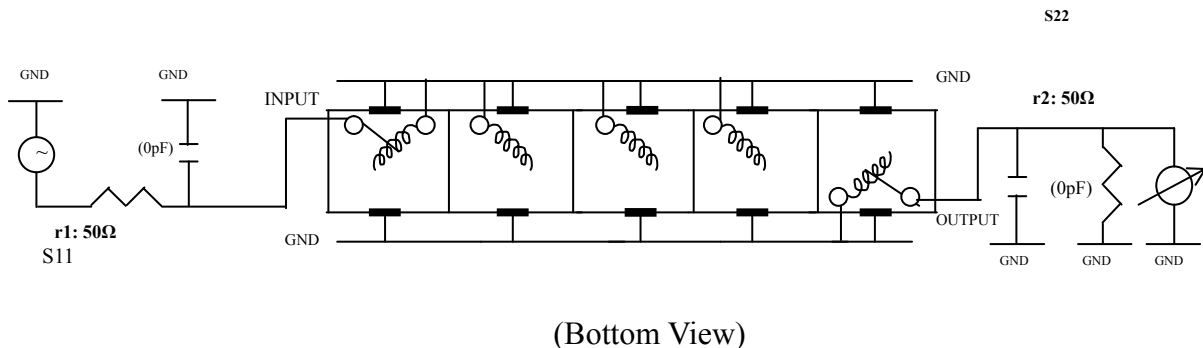
Customer Name		Temwell's Part No.	TV65358A-1150M
Approval No. /dated	0911102APR	Temwell's Print Name.	65358A 1150M
Work Instruction No.	200911102BD	Date	Dec.03.2009



(3) Electric Characteristic					
Item		Specify		Performance	
Center Freq.(Fo) +/- 0.75 %		1150 MHz		1150 MHz	
Insertion Loss		Typ.	6.5 dB	6.16 dB	
-3 dB Bandwidth		Typ.	15 MHz	22.3 MHz	
Sensitivity (Attenuation)	Fo - 100 MHz	Typ.	60 dBc	63 dBc	
	Fo + 100 MHz	Typ.	50 dBc	54 dBc	
	Fo - () MHz	Typ.	dBc	dBc	
	Fo + () MHz	Typ.	dBc	dBc	
Return Loss		Min.	12 dB	21.9 dB	
Ripple		< 1 dB		dB	
Impedance		In / Out : 50 Ω		In / Out : 50 Ω	
(4) Torque for Tuning Screw		> 100gf · cm			

(5) Temperature Condition:	
Operating Temperature	-30°C ~ +70°C
Storage Temperature	-30°C ~ +80°C
(6) Input Power	> 1 Watt

(7) Measuring Circuit: ※ Easy to match Impedance S11/S22 50Ω by parallel with about (0 pF) / (0 pF).



Approval	Supervisor	Designer	Aperture size
C.Y.Chang	C.K.Chang	C.S.Chang	7H5S(4*4.65)(4*4.72) 7H046LB4.3 聚 3

TEMWELL CORPORATION

TEMWELL

Form10-7H5A Vision D

RP:(C.S.C)

Performance-TV65358A-1150M

200911102BD

