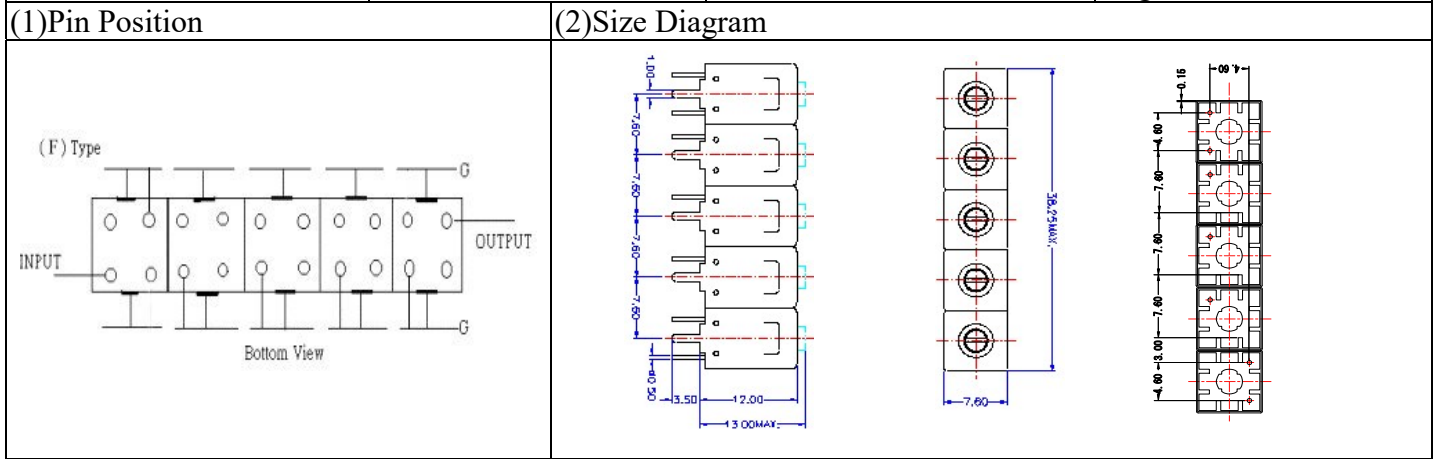


VHF UHF Helical Filter Specification Sheet

Customer Name		Temwell's Part No.	TV65351F-215M
Approval No. /dated	201808014CD	Temwell's Print name.	65351F 215M
Work Instruction No.	201808014CD	Date	Aug.10.2018



(3) Electric Characteristic

Item	Specify	Performance
Center Freq.(Fo) +/- 0.5 %	215 MHz	215 MHz
Insertion Loss	Typ. 3.5 dB	2.72 dB
-3 dB Bandwidth	Typ. 12 MHz	14.6 MHz
Sensitivity (Attenuation)	Fo - 34 MHz	Typ. 71 dBc
	Fo + 34 MHz	Typ. 58 dBc
	Fo - ()MHz	Typ. dBc
	Fo +()MHz	Typ. dBc
Return Loss	Min. 12 dB	43.5 dB
Ripple	< 1 dB	dB
Impedance	In / Out : 50 Ω	In / Out : 50 Ω

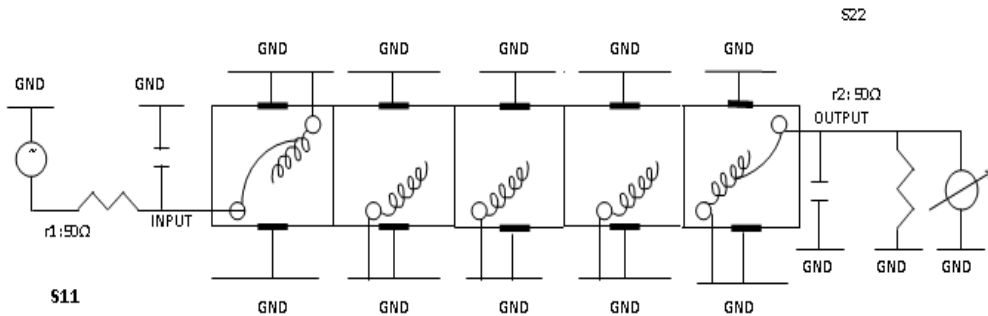
(4) Torque for Tuning Screw > 60gf • cm

(5) Temperature Condition:

Operating Temperature	0°C ~ +60°C
Storage Temperature	-20°C ~ +70°C

(6) Input Power > 1 Watt

(7) Measuring Circuit: ※Easy to match Impedance S11/S22 50Ω by parallel with about(-).



(Bottom View)

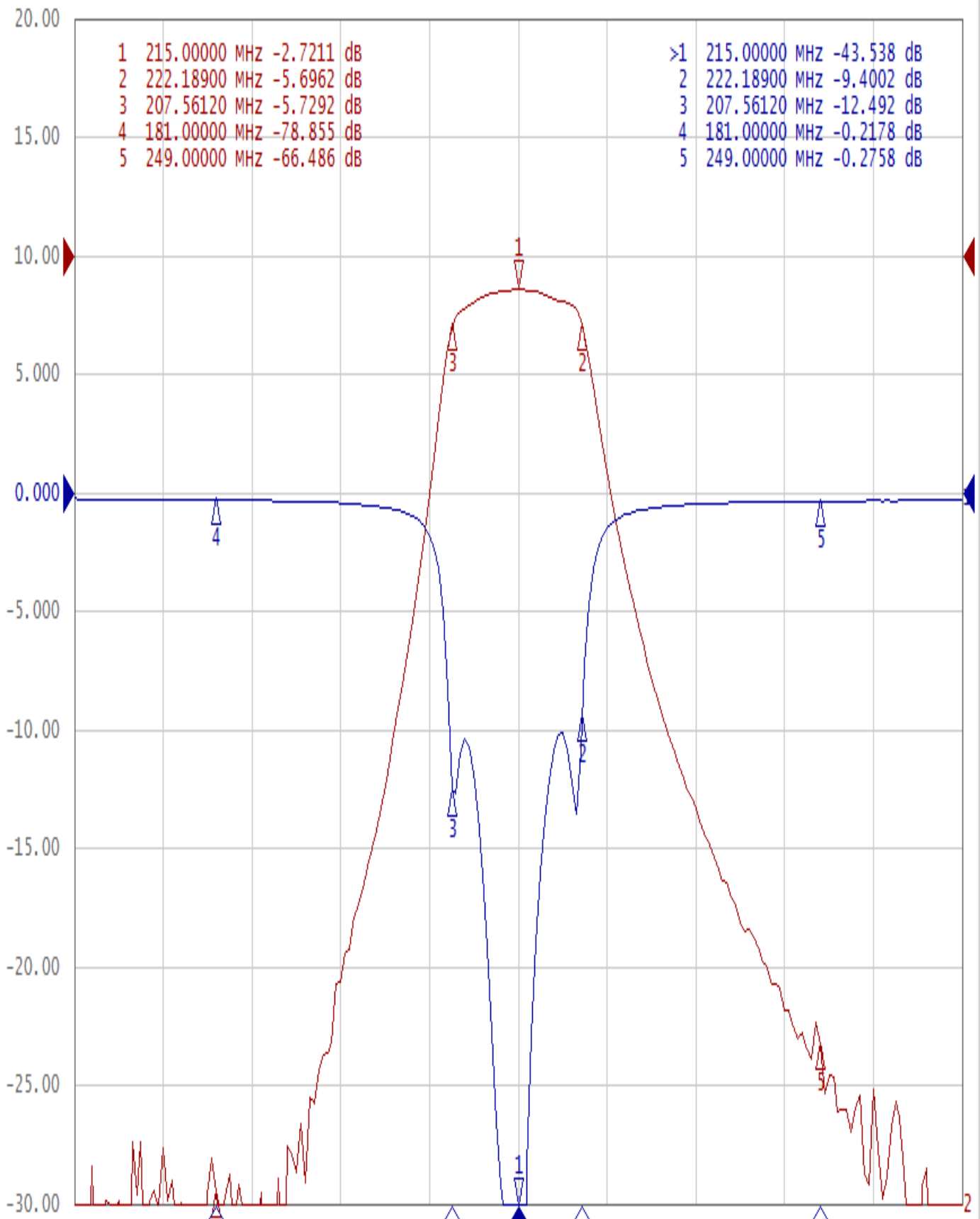
Approval C.Y.Chan	Supervisor C.K.Chang	Designer C.S.Chang	Aperture size 7H5S(4*7.5)(7.56) 7H024RB4
----------------------	-------------------------	-----------------------	--

TEMWELL CORPORATION

Performance-TV65351F-215M

201808014CD

Tr1 S11 Log Mag 5.000dB/ Ref 0.000dB [F2]
Tr2 S21 Log Mag 10.00dB/ Ref 0.000dB [F2]



1 Center 215 MHz IFBW 70 kHz Span 100 MHz Cor!