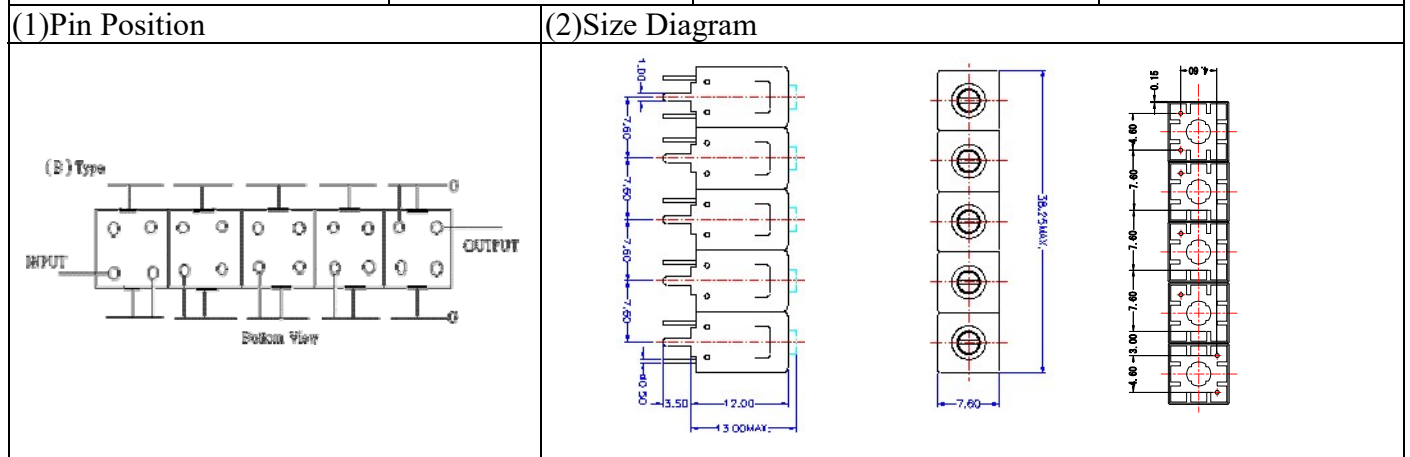


VHF UHF Helical Filter Specification Sheet

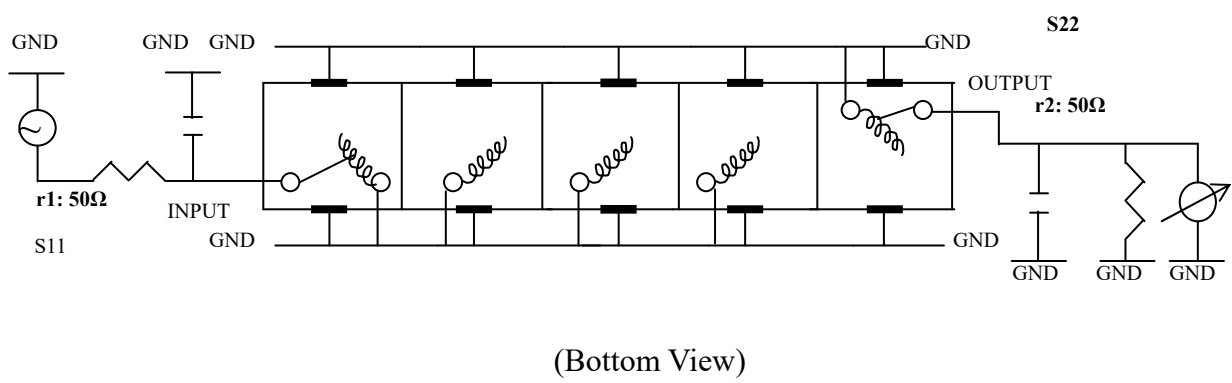
Customer Name		Temwell's Part No.	TV65347B-465M
Approval No. /dated		Temwell's Print name.	65347B 465M
Work Instruction No.	202008048CD	Date	Nov.18.2020



(3) Electric Characteristic

Item	Specify	Performance	
Center Freq.(Fo) +/- 0.5 %	465 MHz	465 MHz	
Insertion Loss	Typ. 5.0 dB	4.27 dB	
-3 dB Bandwidth	Typ. 12 MHz	14.7 MHz	
Sensitivity (Attenuation)	Fo - 50 MHz	Typ. 61 dBc	71 dBc
	Fo + 50 MHz	Typ. 62 dBc	72 dBc
	Fo - ()MHz	Typ. dBc	dBc
	Fo +()MHz	Typ. dBc	dBc
Return Loss	Min. 12 dB	23.8 dB	
Ripple	< 1 dB	dB	
Impedance	In / Out : 50 Ω	In / Out : 50 Ω	
(4) Torque for Tuning Screw	> 60gf · cm		
(5) Temperature Condition:			
Operating Temperature	0°C ~ +60°C		
Storage Temperature	-20°C ~ +70°C		
(6) Input Power	> 1Watt		

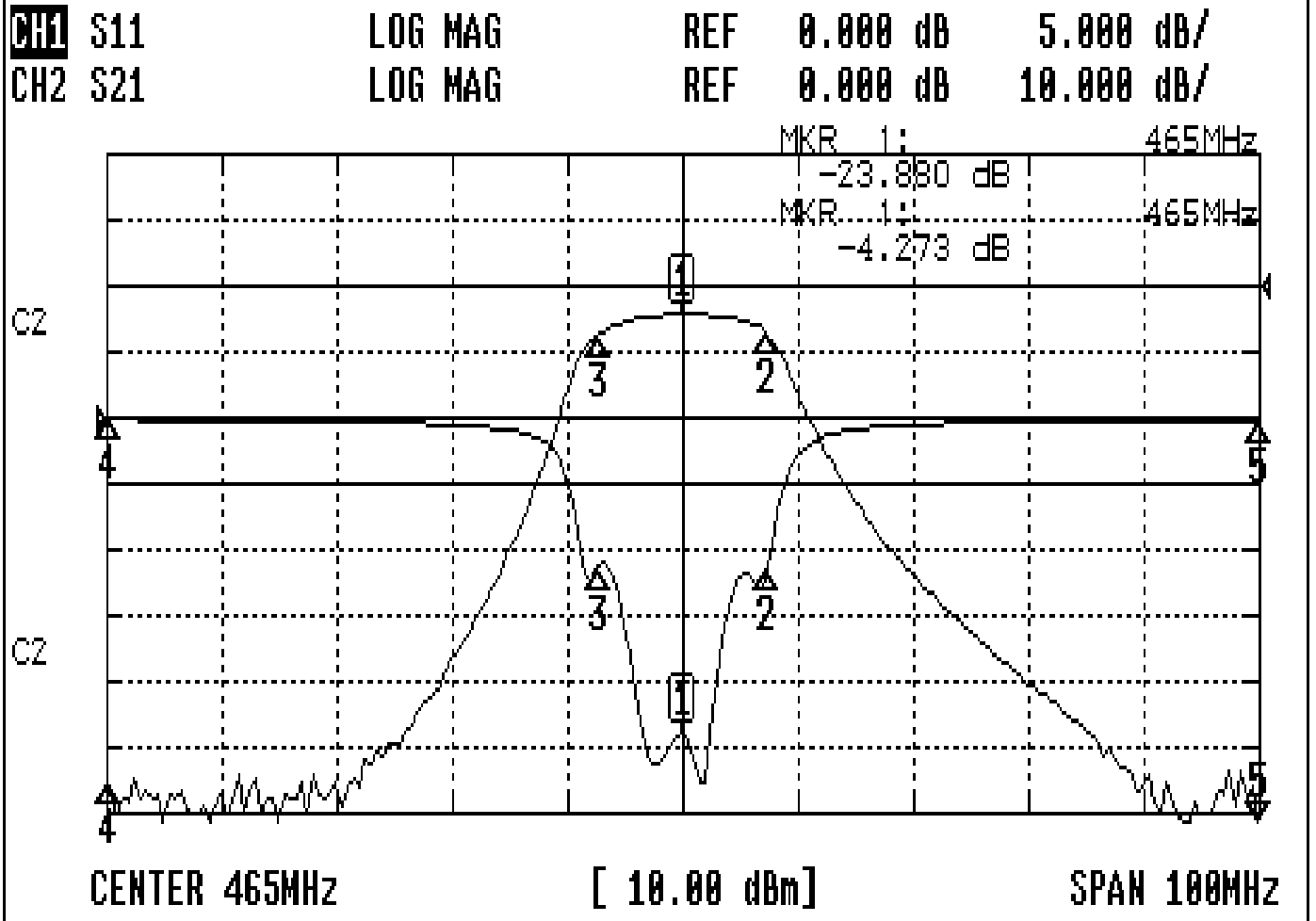
(7) Measuring Circuit: ※Easy to match Impedance S11/S22 50Ω by parallel with about(- -).



Approval	Supervisor	Designer	Aperture size
C.C.Chang	C.K.Chang	C.H.Yeh	7H5S(4*5.6)(5.64) 7H046RB4

Performance-TV65347B-465M

202008048CD



CH1 MARKER LIST

1:	465.000MHz	-23.880	dB
2:	472.416MHz	-11.571	dB
3:	457.666MHz	-11.305	dB
4:	415.000MHz	-0.122	dB
5:	515.000MHz	-0.185	dB

CH2 MARKER LIST

1:	465.000MHz	-4.274	dB
2:	472.416MHz	-7.281	dB
3:	457.666MHz	-7.278	dB
4:	415.000MHz	-75.451	dB
5:	515.000MHz	-76.689	dB