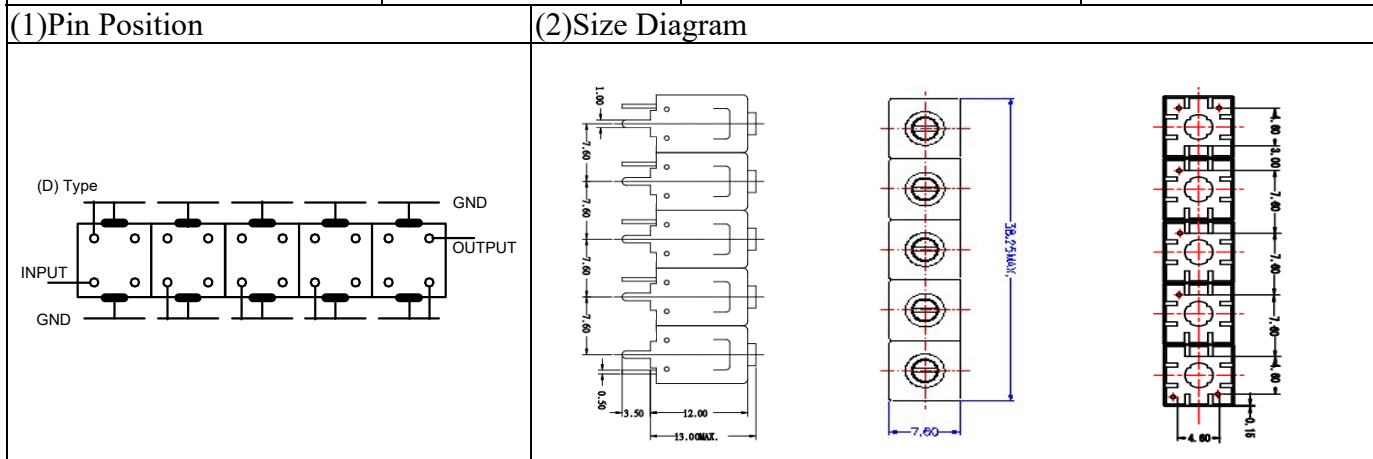


# VHF UHF Helical Filter Specification Sheet

Customer Name		Temwell's Part No.	TV65247D-485M
Approval No. /dated		Temwell's Print Name	65247D 485M
Work Instruction No.	202010023CD	Date	Nov.24.2020



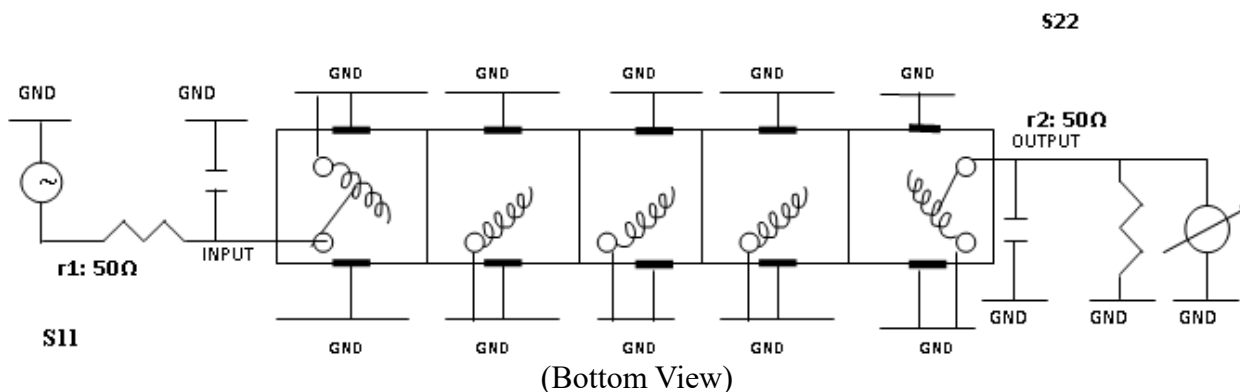
(3) Electric Charasteric

Item	Specify	Performance	
Center Freq.(Fo) +/- 0.5 %	485 MHz	485 MHz	
Insertion Loss	Typ 3.5 dB	2.30 dB	
-3 dB Bandwidth	Typ. 25 MHz	32.5 MHz	
Sensitivity (Attenuation)	Fo - 50 MHz	Typ. 57 dBc	67 dBc
	Fo + 50 MHz	Typ. 38 dBc	43 dBc
	Fo - ( )MHz	Typ. dBc	dBc
	Fo +( )MHz	Typ. dBc	dBc
Return Loss	Min. 12 dB	19.6 dB	
Ripple	< 1 dB	dB	
Impedance	In / Out : 50 Ω	In / Out : 50 Ω	
(4) Torque for Tuning Screw	> 60gf • cm		

(5) Temperature Condition:

Operating Temperature	0°C ~ +60°C
Storage Temperature	-20°C ~ +70°C
(6) Input Power	> 1Watt

(7) Measuring Circuit: ※Easy to match Impedance S11/S22 50Ω by parallel with about(- -).



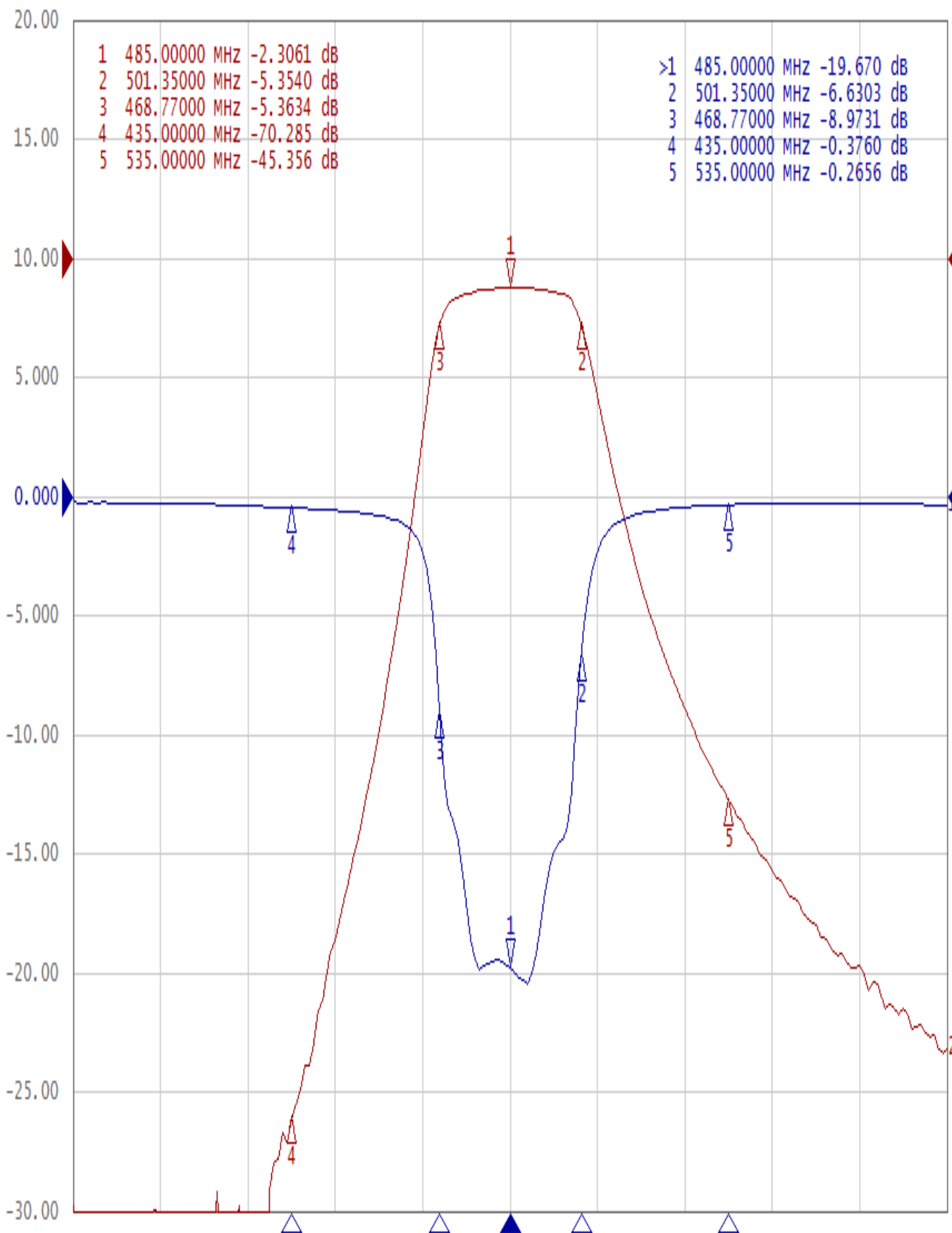
Approval	Supervisor	Designer	Aperture size
C.C.Chang	C.K.Chang	M.Y.Kang	7H5S(4*6.5)(6.57) 7H046LB5 (J1)

TEMWELL CORPORATION

# Performance-TV65247D-485M

## 202010023CD

Tr1 S11 Log Mag 5.000dB/ Ref 0.000dB [F2]  
Tr2 S21 Log Mag 10.00dB/ Ref 0.000dB [F2]



1 Center 485 MHz

IFBW 70 kHz

Span 200 MHz Cor !