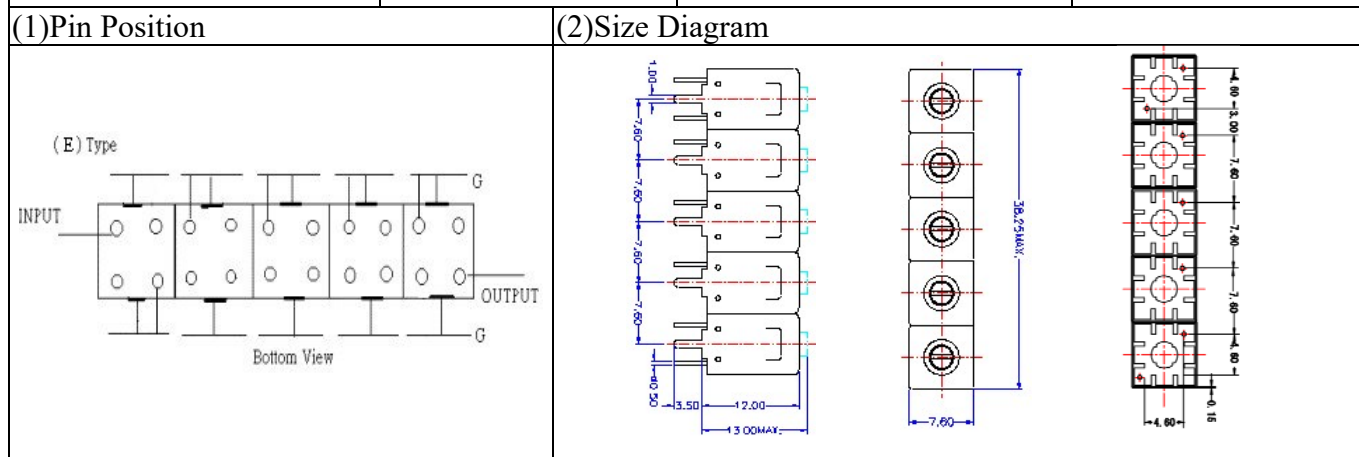


VHF UHF Helical Filter Specification Sheet

Customer Name		Temwell's Part No.	TV65232E-490M
Approval No. /dated		Temwell's Print Name.	65232E 490M
Work Instruction No.	202008050CD	Date	Nov.25.2020



(3) Electric Character

Item	Specify	Performance	
Center Freq.(Fo) +/- 0.5 %	490 MHz	490 MHz	
Insertion Loss	Typ. 4.0 dB	3.11 dB	
-3 dB Bandwidth	Typ. 15 MHz	18 MHz	
Sensitivity (Attenuation)	Fo - 50 MHz	Typ. 60 dBc	70 dBc
	Fo + 50 MHz	Typ. 65 dBc	75 dBc
	Fo - ()MHz	Typ. dBc	dBc
	Fo + ()MHz	Typ. dBc	dBc
Return Loss	Min. 12 dB	47.1 dB	
Ripple	< 1 dB	dB	
Impedance	In / Out : 50 Ω	In / Out : 50 Ω	

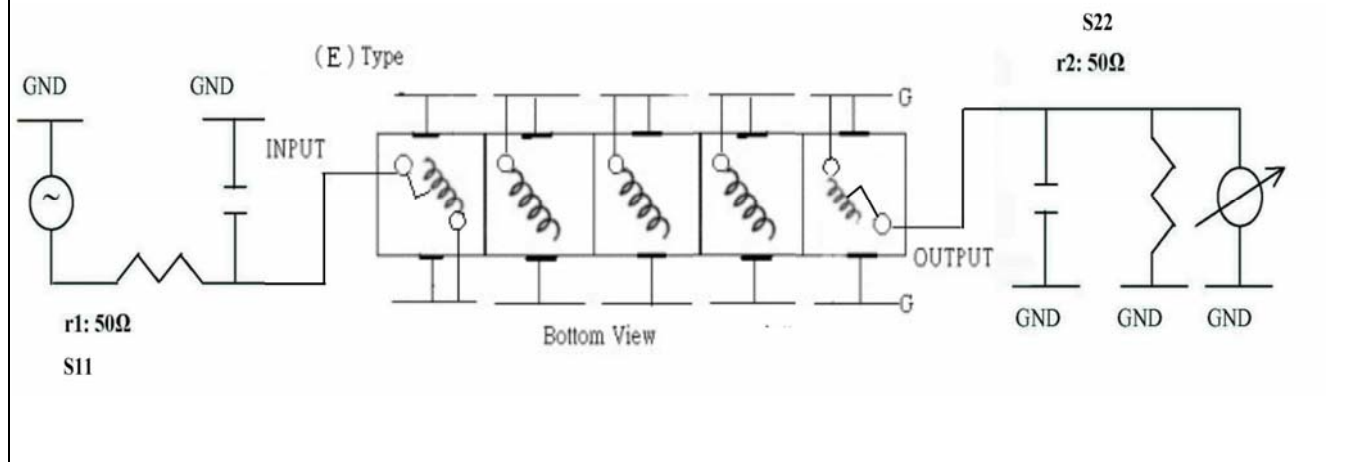
(4) Torque for Tuning Screw > 60gf · cm

(5) Temperature Condition:

Operating Temperature	0°C ~ +60°C
Storage Temperature	-20°C ~ +70°C

(6) Input Power > 1 Watt

(7) Measuring Circuit: ※Easy to match Impedance S11/S22 50Ω by parallel with about(- -).

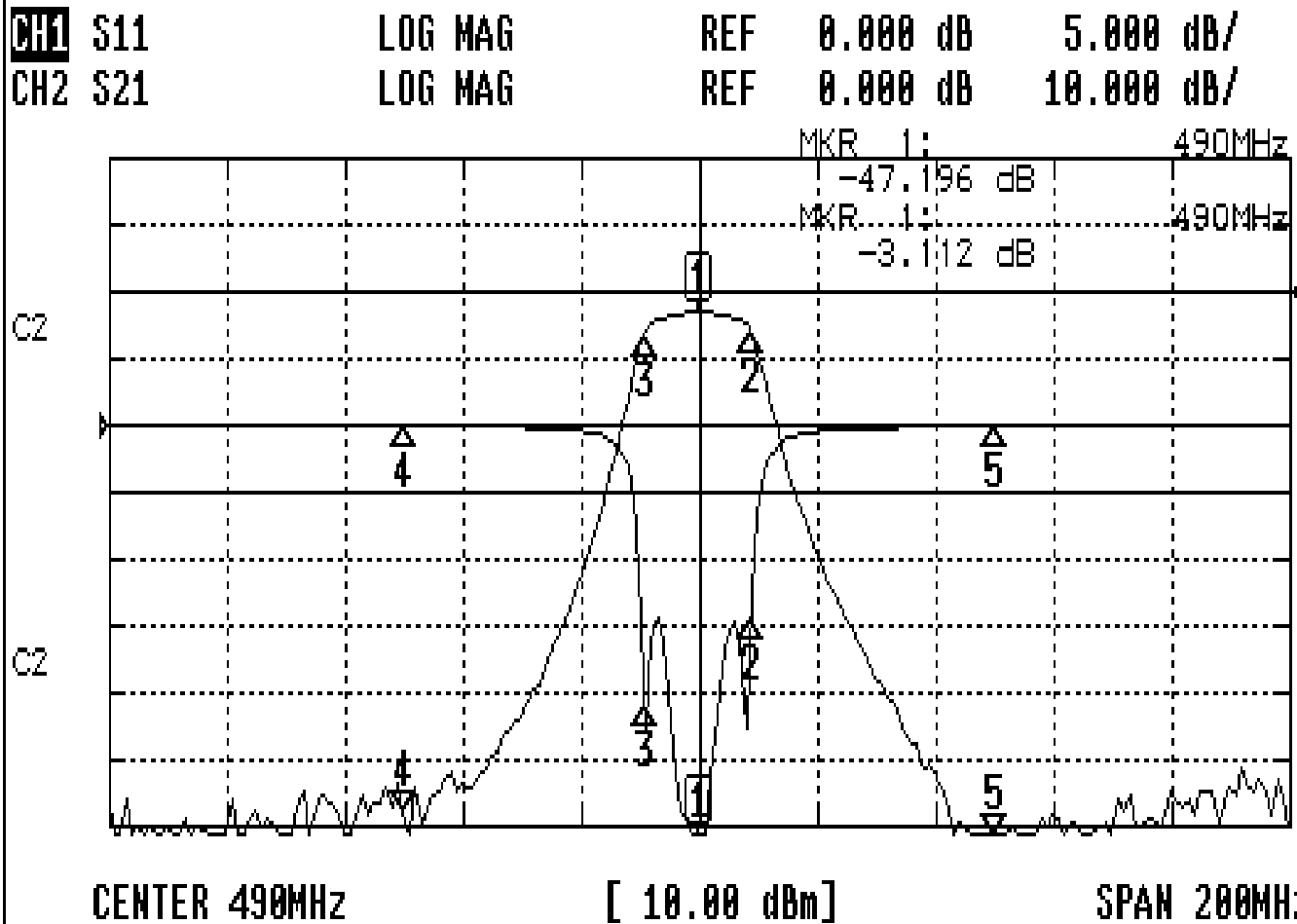


Approval C.C.Chang	Supervisor C.K.Chang	Designer Z.Y.Wang	Aperture size 7H5S(4*5.5)(5.54) 7H046LB4.3 聚 3
-----------------------	-------------------------	----------------------	--

TEMWELL CORPORATION

Performance- TV65232E-490M

202008050CD



CH1 MARKER LIST

1	490.000MHz	-47.196	dB
2	498.880MHz	-13.972	dB
3	480.880MHz	-21.527	dB
4	440.000MHz	-0.045	dB
5	540.000MHz	-0.055	dB

CH2 MARKER LIST

1	490.000MHz	-3.111	dB
2	498.880MHz	-6.123	dB
3	480.880MHz	-6.130	dB
4	440.000MHz	-73.112	dB
5	540.000MHz	-78.993	dB