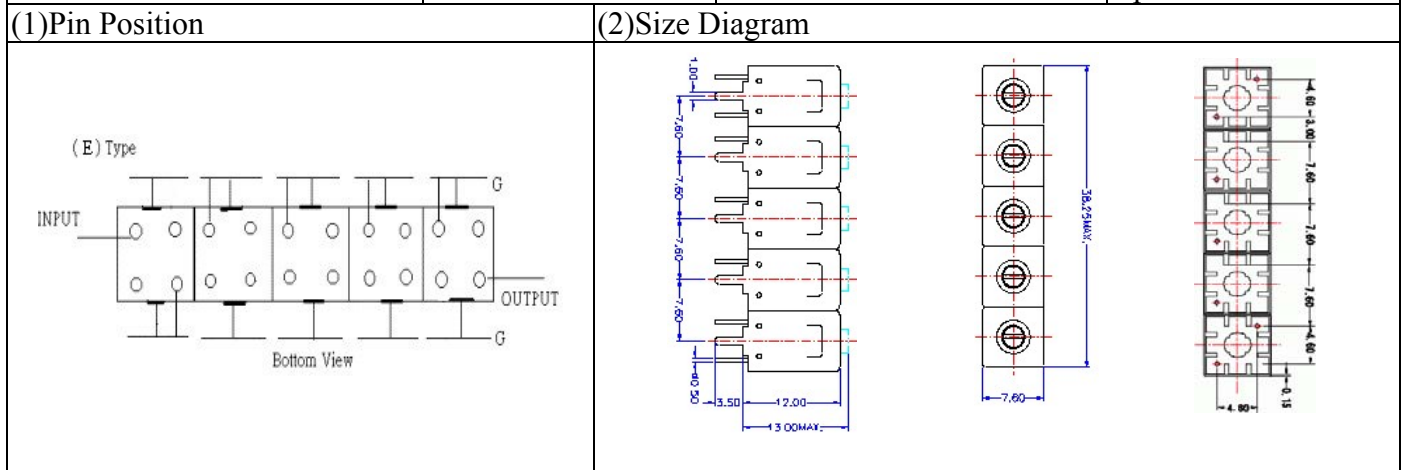


VHF UHF Helical Filter Specification Sheet

Customer Name		Temwell's Part No.	TV65226E-410M
Approval No. /dated	0904156APR	Temwell's Print Name.	65226E 410M
Work Instruction No.	200904156BD	Date	Apr.27.2009



(3) Electric Character

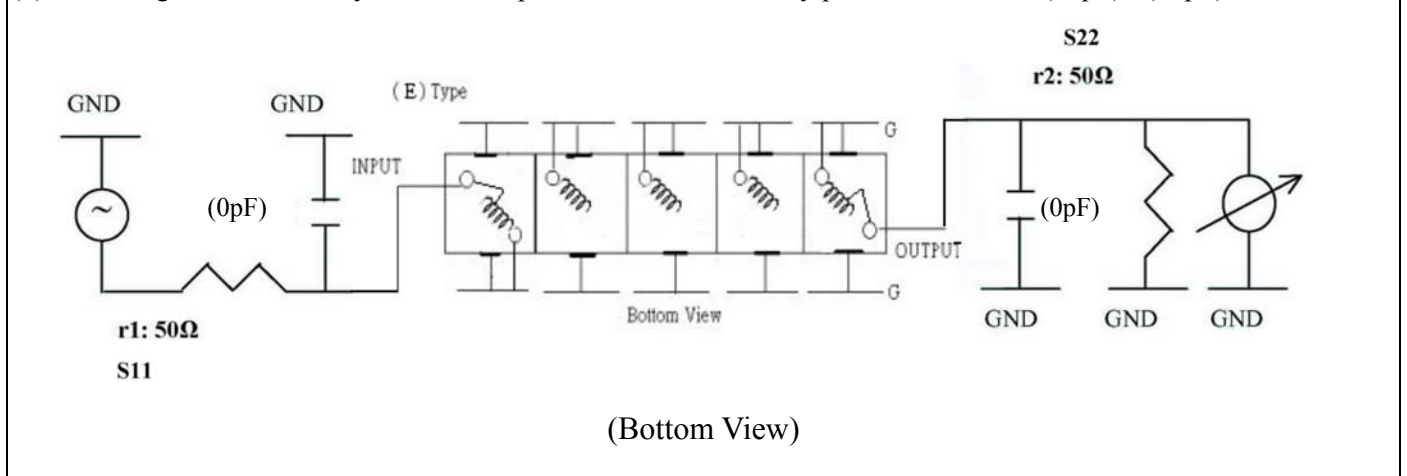
Item	Specify	Performance	
Center Freq.(Fo) +/- 0.5 %	410 MHz	410 MHz	
Insertion Loss	Typ. 2.5 dB	2.05 dB	
-3 dB Bandwidth	Typ. 25 MHz	28.6 MHz	
Sensitivity (Attenuation)	Fo - 30 MHz	Typ. 42 dBc	45 dBc
	Fo + 30 MHz	Typ. 33 dBc	36 dBc
	Fo - ()MHz	Typ. dBc	dBc
	Fo +()MHz	Typ. dBc	dBc
Return Loss	Min. 12 dB	21.9 dB	
Ripple	< 1 dB	dB	
Impedance	In / Out : 50 Ω	In / Out : 50 Ω	

(4) Torque for Tuning Screw > 100gf • cm

(5) Temperature Condition:	
Operating Temperature	0°C ~ +60°C
Storage Temperature	-20°C ~ +70°C

(6) Input Power > 1 Watt

(7) Measuring Circuit: ※Easy to match Impedance S11/S22 50Ω by parallel with about(0 pF) / (0 pF).

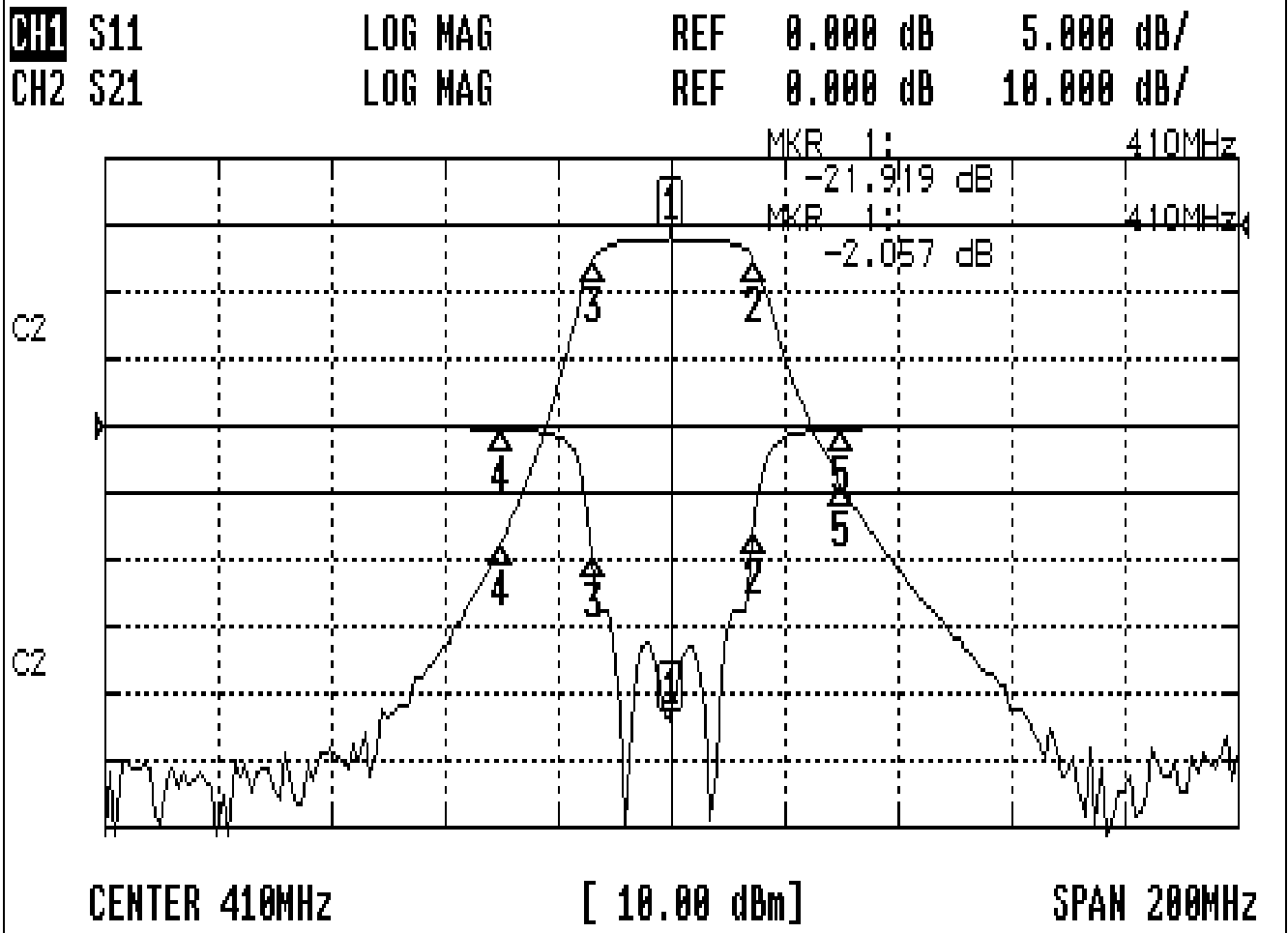


Approval	Supervisor	Designer	Aperture size
C.Y.Chang	C.K.Chang	Y.H.Yeh	7H5S(4*5.5)(5.65) 7H046LB5

TEMWELL CORPORATION

Performance-TV65226E-410M

200904156BD



CH1 MARKER LIST

1	410.000MHz	-21.903 dB
2	424.620MHz	-7.942 dB
3	396.000MHz	-9.811 dB
4	380.000MHz	-0.228 dB
5	440.000MHz	-0.207 dB

CH2 MARKER LIST

1	410.000MHz	-2.057 dB
2	424.620MHz	-7.073 dB
3	396.000MHz	-5.084 dB
4	380.000MHz	-47.506 dB
5	440.000MHz	-38.588 dB