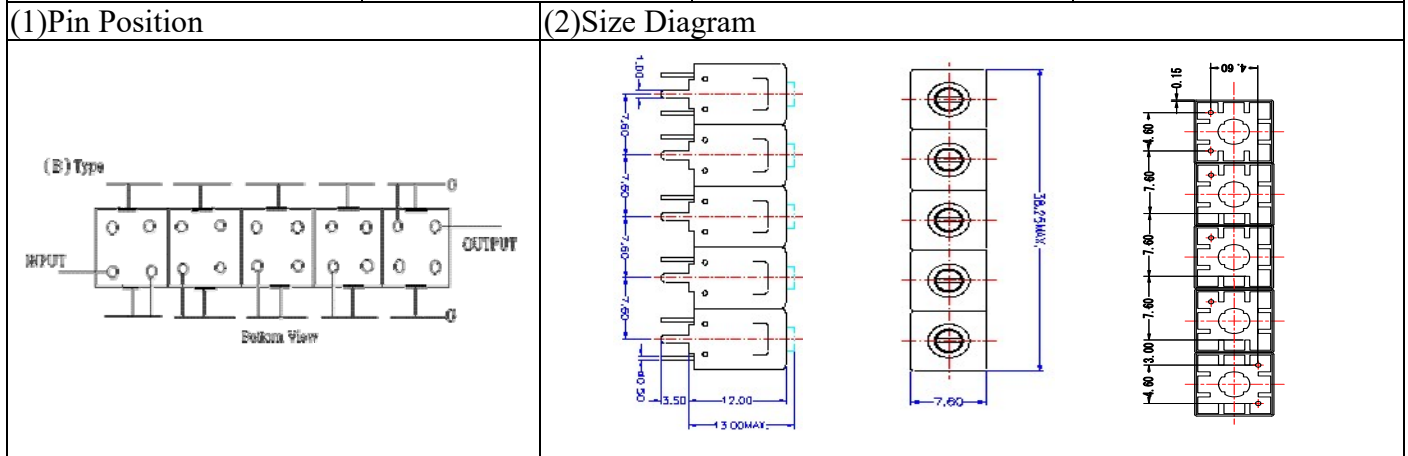


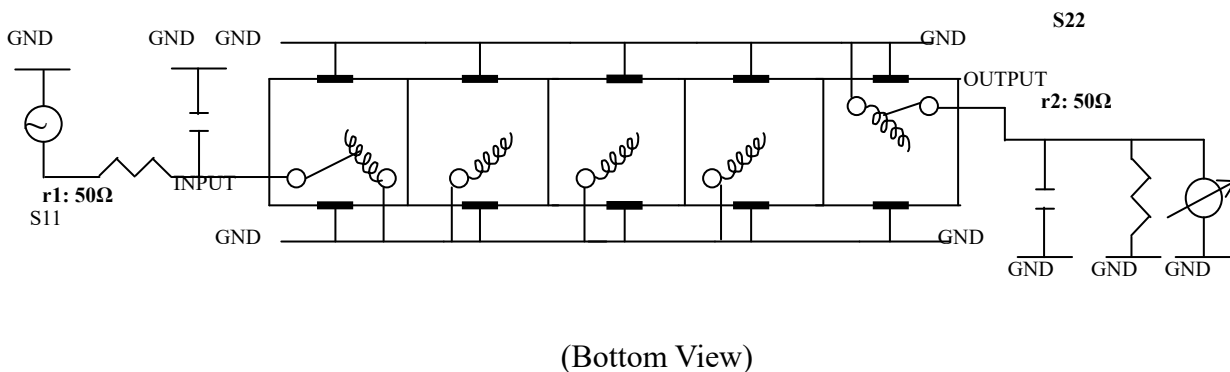
VHF UHF Helical Filter Specification Sheet

Customer Name		Temwell's Part No.	TV65223B-288M
Approval No. /dated	201808021CD	Temwell's Print name.	65223B 288M
Work Instruction No.	201808021CD	Date	Nov.08.2018



(3) Electric Characteristic			
Item		Specify	Performance
Center Freq.(Fo) +/- 0.5 %		288 MHz	288 MHz
Insertion Loss		Typ. 2.0 dB	0.78 dB
-3 dB Bandwidth		Typ. 80 MHz	82.2 MHz
Sensitivity (Attenuation)	Fo - 100 MHz	Typ. 70 dBc	80 dBc
	Fo + 100 MHz	Typ. 34 dBc	39 dBc
	Fo - ()MHz	Typ. dBc	dBc
	Fo +()MHz	Typ. dBc	dBc
Return Loss		Min. 12 dB	27.6 dB
Ripple		< 1 dB	dB
Impedance		In / Out : 50 Ω	In / Out : 50 Ω
(4) Torque for Tuning Screw		> 60gf · cm	
(5) Temperature Condition:			
Operating Temperature		0°C ~ +60°C	
Storage Temperature		-20°C ~ +70°C	
(6) Input Power		> 1Watt	

(7) Measuring Circuit: ※Easy to match Impedance S11/S22 50Ω by parallel with about(- -).

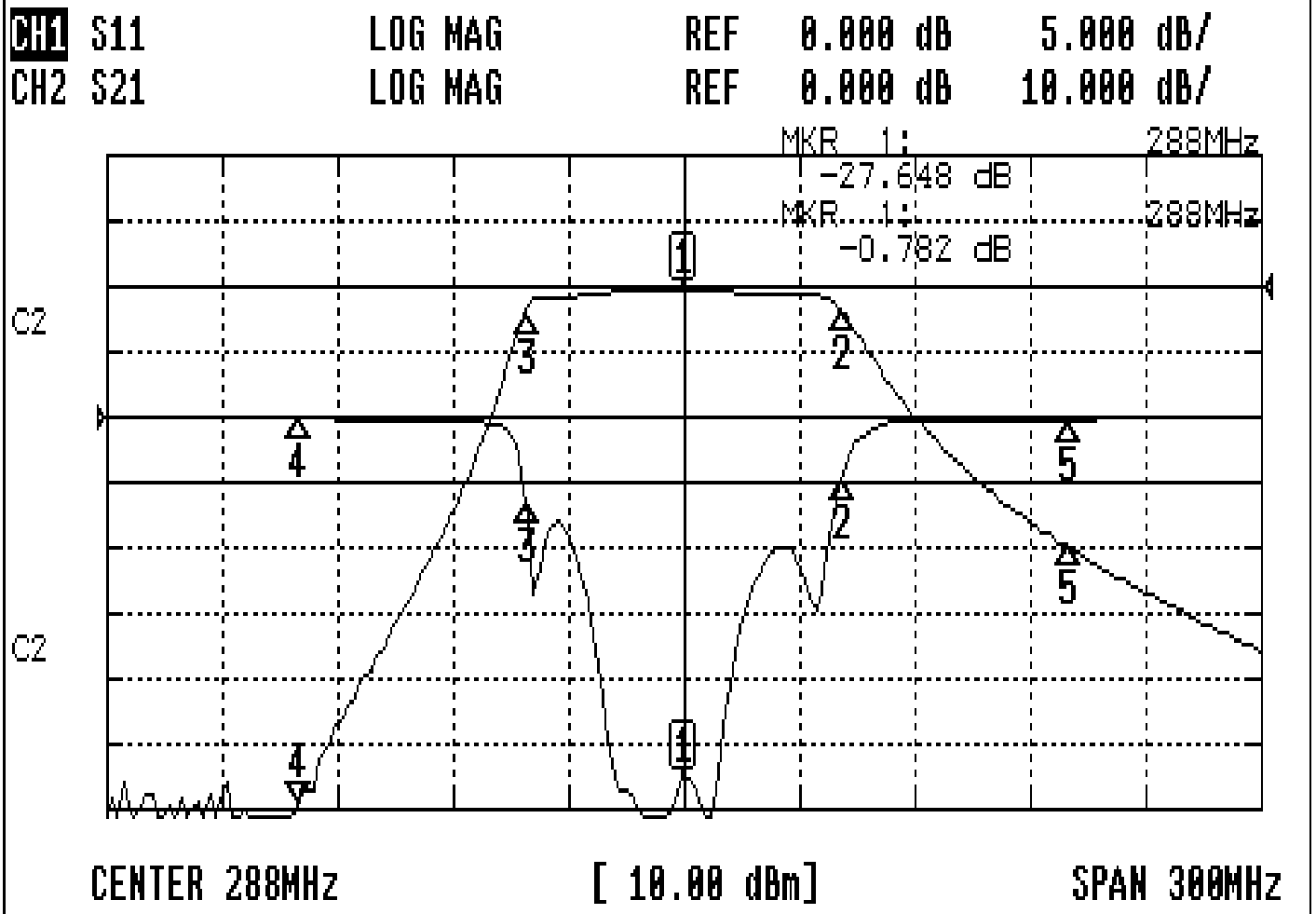


Approval C.Y.Chang	Supervisor C.K.Chang	Designer C.H.Yeh	Aperture size 7H5S(4*8.0)(8.02) 7H046LB6.6
-----------------------	-------------------------	---------------------	--

TEMWELL CORPORATION

Performance-TV65223B-288M

201808021CD



CH1 MARKER LIST

1:	288.000MHz	-27.621	dB
2:	329.150MHz	-4.576	dB
3:	246.900MHz	-6.375	dB
4:	188.000MHz	-0.103	dB
5:	388.000MHz	-0.160	dB
6:			
7:			
8:			
9:			
10:			

CH2 MARKER LIST

1:	288.000MHz	-0.784	dB
2:	329.150MHz	-3.775	dB
3:	246.900MHz	-3.762	dB
4:	188.000MHz	-0.824	dB
5:	388.000MHz	-40.079	dB
6:			
7:			
8:			
9:			
10:			