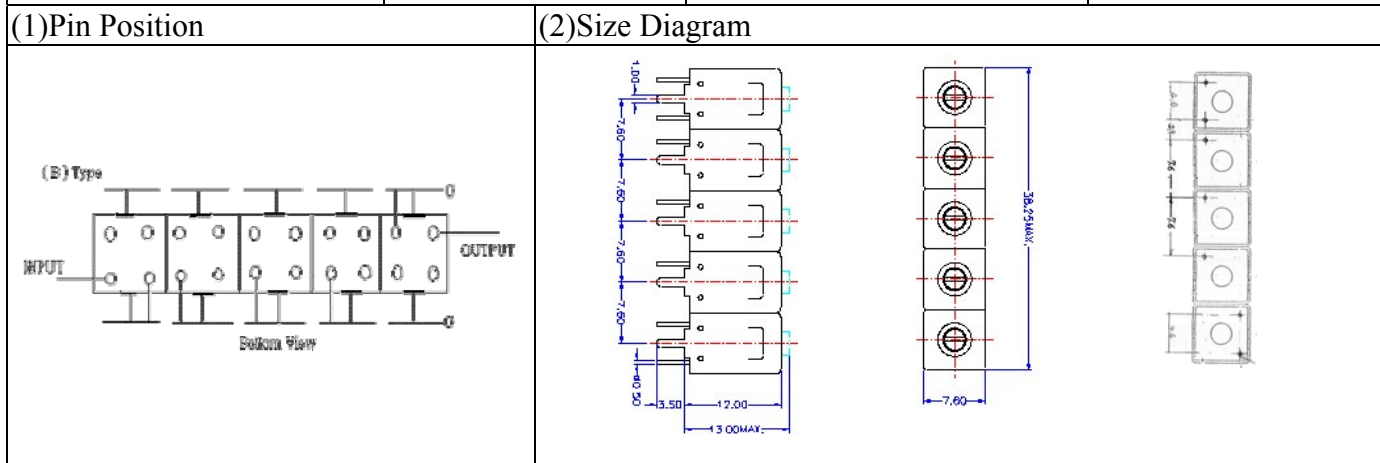


# VHF UHF Helical Filter Specification Sheet

Customer Name		Temwell's Part No.	TV65210B-935M
Approval No. /dated		Temwell's Print name.	65210B 935M
Work Instruction No.	0707264DC	Date	Jul.25.2007



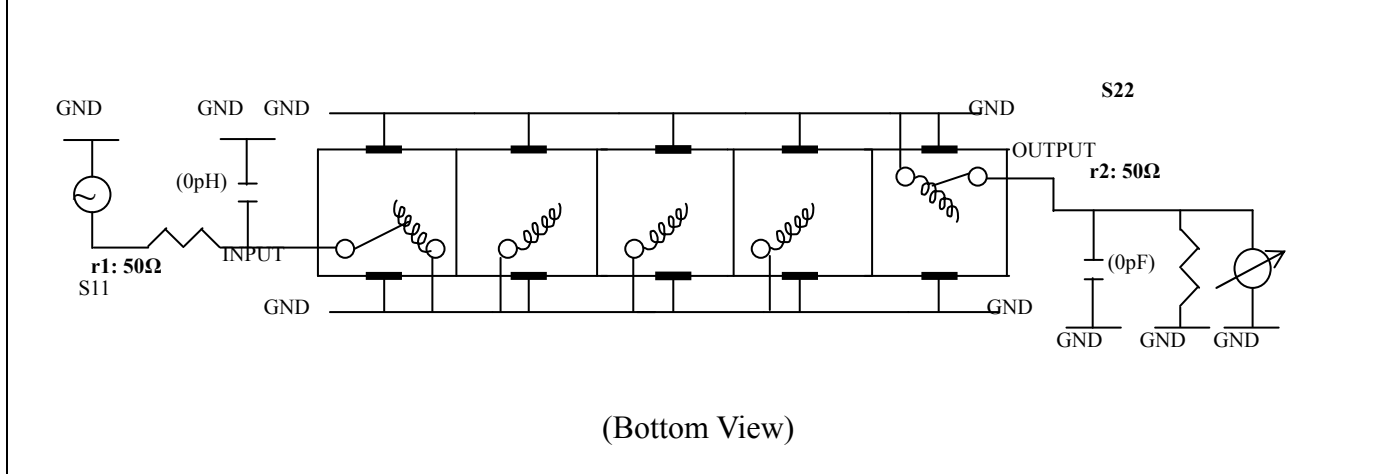
(3) Electric Characteristic			
Item		Specify	Performance
Center Freq.(Fo) +/- 0.5 %		935 MHz	935 MHz
Insertion Loss		Typ. 3.5 dB	2.45 dB
-3 dB Bandwidth		Typ. 50 MHz	56.7 MHz
Sensitivity (Attenuation)	Fo - 50 MHz	Typ. 33 dBc	36 dBc
	Fo + 50 MHz	Typ. 22 dBc	25 dBc
	Fo - ( )MHz	Typ. dBc	dBc
	Fo +( )MHz	Typ. dBc	dBc
Return Loss		Min. 12 dB	20.7 dB
Ripple		< 1 dB	dB
Impedance		In / Out : 50 Ω	In / Out : 50 Ω

(4) Torque for Tuning Screw > 60gf · cm

(5) Temperature Condition:	
Operating Temperature	0°C ~ +60°C
Storage Temperature	-20°C ~ +70°C

(6) Input Power > 1Watt

(7) Measuring Circuit: ※Easy to match Impedance S11/S22 50Ω by parallel with about(0pH) / (0pF).



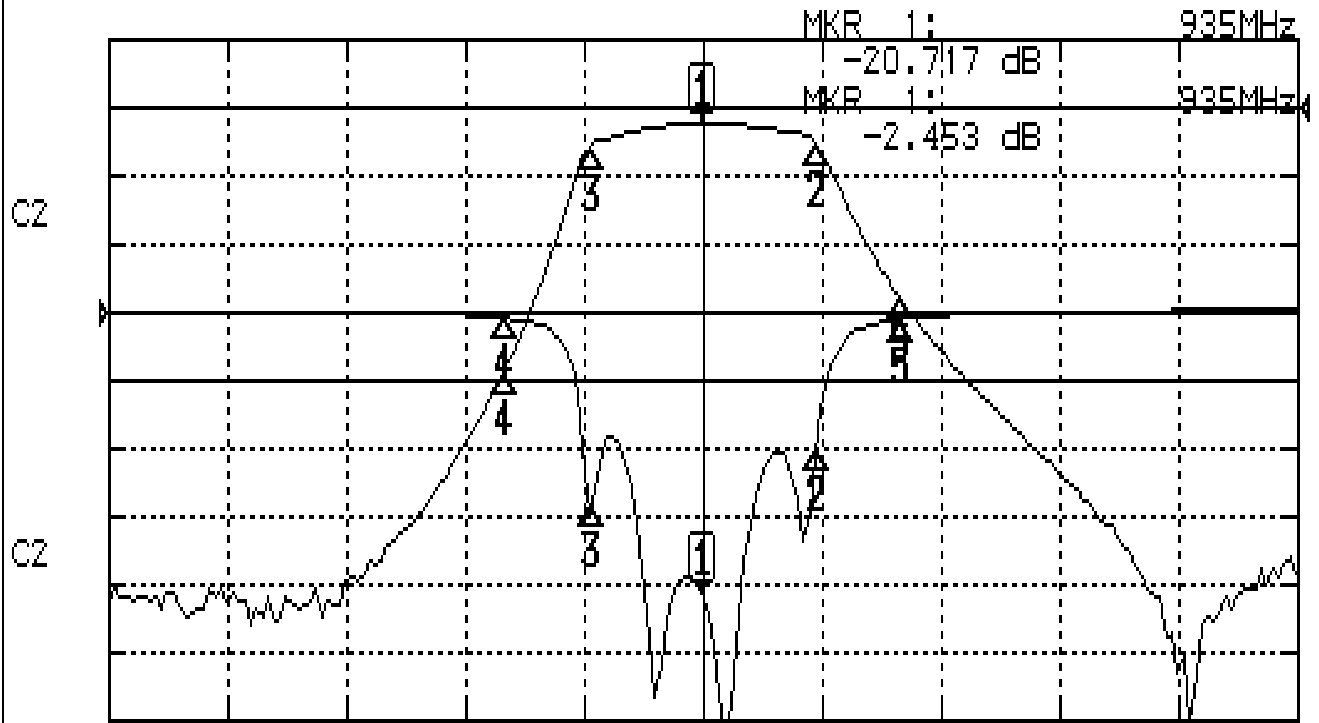
Approval	Supervisor	Designer	Aperture size
C.Y.Chang	C.S.Chang	C.S.Chang	7H5S(4*5.5)

TEMWELL CORPORATION

# Performance-TV65210B-935M

## 0707264DC

**CH1** S11                      LOG MAG                      REF 0.000 dB                      5.000 dB/  
**CH2** S21                      LOG MAG                      REF 0.000 dB                      10.000 dB/



CENTER 935MHz

[ 10.00 dBm ]

SPAN 300MHz

### CH1 MARKER LIST

1:	935.000MHz	-20.717	dB
2:	963.750MHz	-9.677	dB
3:	907.000MHz	-14.121	dB
4:	885.000MHz	-0.369	dB
5:	985.000MHz	-0.427	dB

### CH2 MARKER LIST

1:	935.000MHz	-2.453	dB
2:	963.750MHz	-1.501	dB
3:	907.000MHz	-1.431	dB
4:	885.000MHz	-1.530	dB
5:	985.000MHz	-27.989	dB