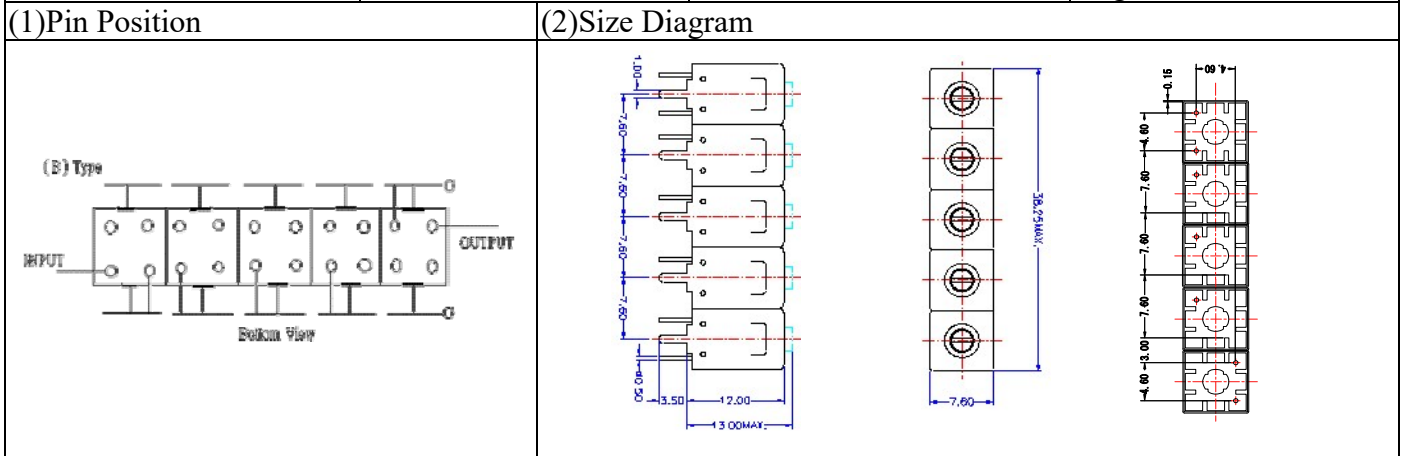


# VHF UHF Helical Filter Specification Sheet

Customer Name		Temwell's Part No.	TV65206B-160M
Approval No. /dated	201808004CD	Temwell's Print name.	65206B 160M
Work Instruction No.	201808004CD	Date	Aug.10.2018



(3) Electric Characteristic

Item	Specify	Performance	
Center Freq.(Fo) +/- 0.5 %	160 MHz	160 MHz	
Insertion Loss	Typ. 2.0 dB	1.63 dB	
-3 dB Bandwidth	Typ. 30 MHz	32.3 MHz	
Sensitivity (Attenuation)	Fo - 50 MHz	Typ. 70 dBc	83 dBc
	Fo + 50 MHz	Typ. 35 dBc	54 dBc
	Fo - ( )MHz	Typ. dBc	dBc
	Fo +( )MHz	Typ. dBc	dBc
Return Loss	Min. 12 dB	19.6 dB	
Ripple	< 1 dB	dB	
Impedance	In / Out : 50 Ω	In / Out : 50 Ω	

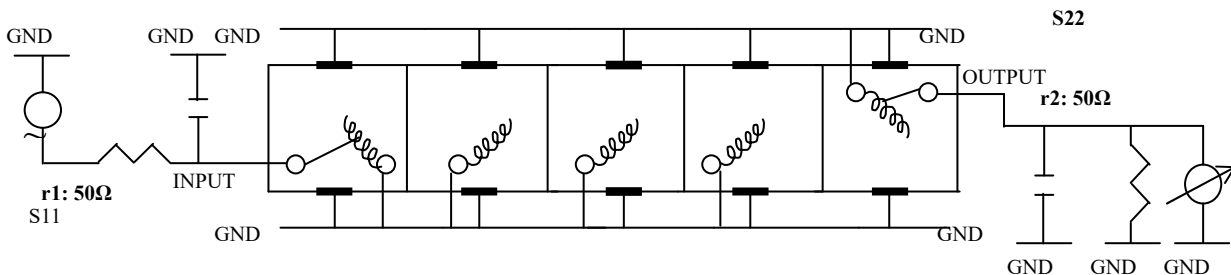
(4) Torque for Tuning Screw > 60gf • cm

(5) Temperature Condition:

Operating Temperature	0°C ~ +60°C
Storage Temperature	-20°C ~ +70°C

(6) Input Power > 1 Watt

(7) Measuring Circuit: ※Easy to match Impedance S11/S22 50Ω by parallel with about(- -).



(Bottom View)

Approval C.Y.Chang	Supervisor C.K.Chang	Designer P.H.Chiang	Aperture size 7H5S(4*6.5)(6.57) 7H024LB6.5-J1
-----------------------	-------------------------	------------------------	---

TEMWELL CORPORATION

# Performance-TV65206B-160M

## 201808004CD

