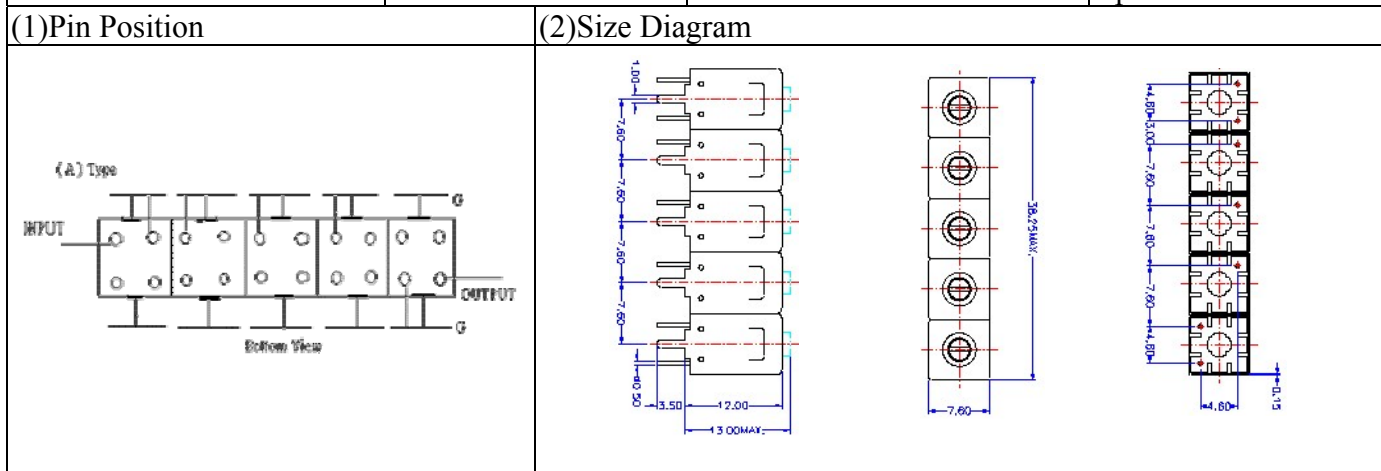


VHF UHF Helical Filter Specification Sheet

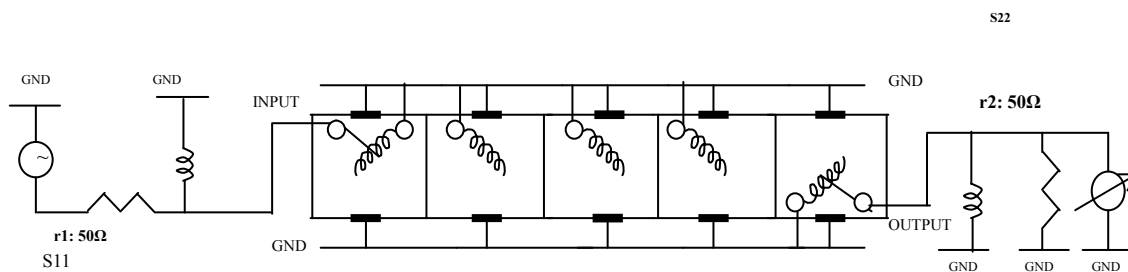
Customer Name		Temwell's Part No.	TV6510A-700M
Approval No. /dated	201204095CD	Temwell's Print Name.	6510A 700M
Work Instruction No.	201204095CD	Date	Apr.25.2012



(3) Electric Characteristic

Item	Specify	Performance	
Center Freq.(Fo) +/- 0.5 %	700 MHz	700 MHz	
Insertion Loss	Typ. 4.0 dB	3.11 dB	
-3 dB Bandwidth	Typ. 30 MHz	35.5 MHz	
Sensitivity (Attenuation)	Fo - 50 MHz	Typ. 57 dBc	60 dBc
	Fo + 50 MHz	Typ. 42 dBc	45 dBc
	Fo - ()MHz	Typ. dBc	dBc
	Fo +()MHz	Typ. dBc	dBc
Return Loss	Min. 12 dB	29.7 dB	
Ripple	< 1 dB	dB	
Impedance	In / Out : 50 Ω	In / Out : 50 Ω	
(4) Torque for Tuning Screw	> 60gf · cm		
(5) Temperature Condition:			
Operating Temperature	0°C ~ +60°C		
Storage Temperature	-20°C ~ +70°C		
(6) Input Power	> 1Watt		

(7) Measuring Circuit: ※ Easy to match Impedance S11/S22 50Ω by parallel with about(--).



(Bottom View)

Approval	Supervisor	Designer	Aperture size
C.Y.Chang	C.K.Chang	C.S.Chang	7H5S(4*5.5)(5.58) 7H046LB5

TEMWELL CORPORATION

Performance-TV6510A-700M

201204095CD

