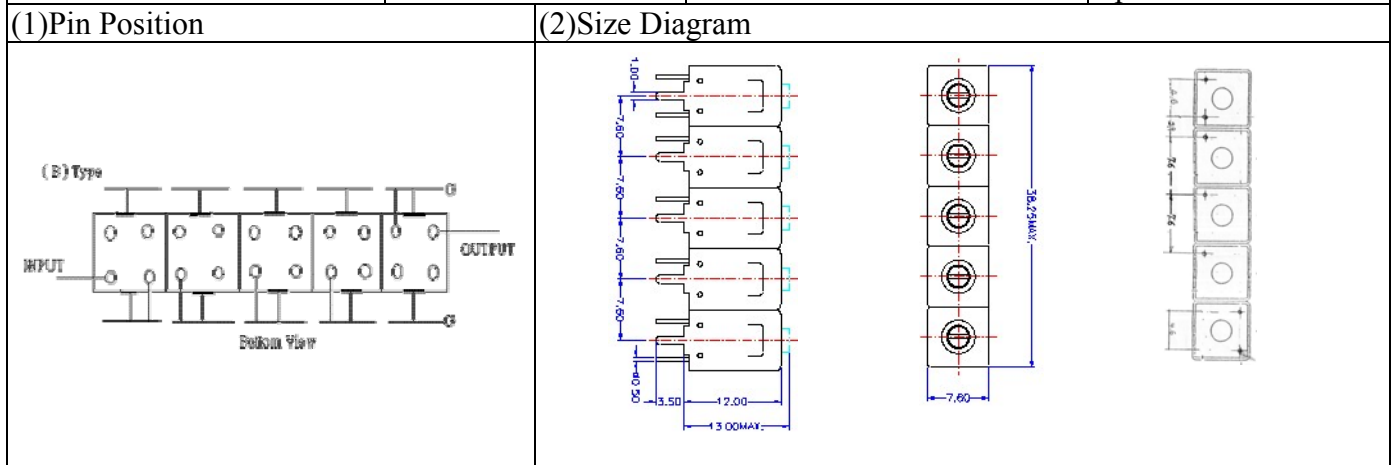


VHF UHF Helical Filter Specification Sheet

Customer Name		Temwell's Part No.	TV6505B-191M
Approval No. /dated	201204090CD	Temwell's Print Name.	6505B 191M
Work Instruction No.	201204090CD	Date	Apr.26.2012



(3) Electric Characteristic

Item	Specify	Performance	
Center Freq.(Fo) +/- 0.5 %	191 MHz	191 MHz	
Insertion Loss	Typ. 4.0 dB	3.35 dB	
-3 dB Bandwidth	Typ. 10 MHz	11.4 MHz	
Sensitivity (Attenuation)	Fo - 10 MHz	Typ. 30 dBc	33 dBc
	Fo + 10 MHz	Typ. 20 dBc	24 dBc
	Fo - ()MHz	Typ. dBc	dBc
	Fo +()MHz	Typ. dBc	dBc
Return Loss	Min. 12 dB	20.7 dB	
Ripple	< 1 dB	dB	
Impedance	In / Out : 50 Ω	In / Out : 50 Ω	

(4) Torque for Tuning Screw > 60gf · cm

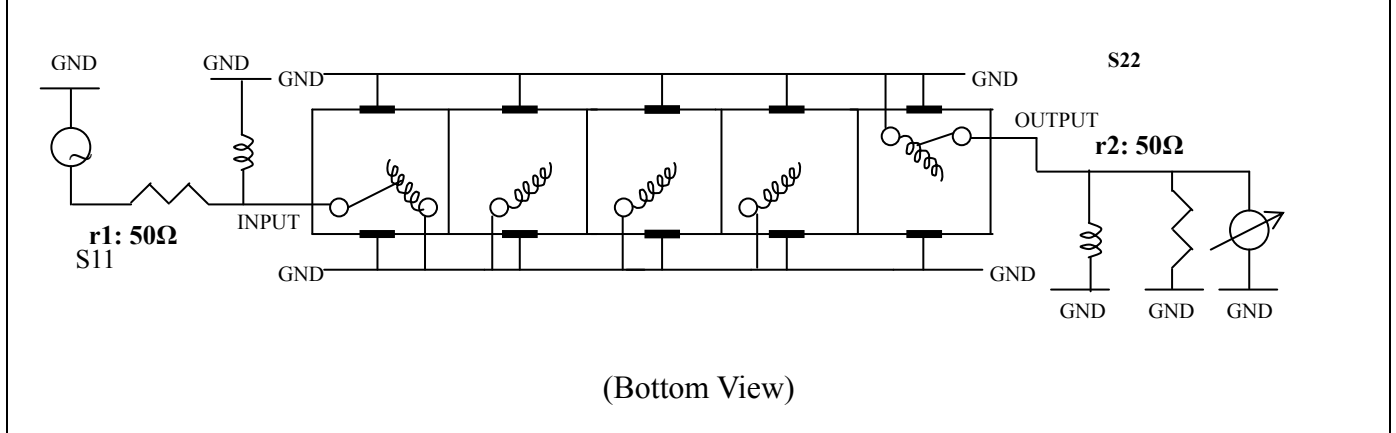
(5) Temperature Condition:

Operating Temperature 0°C ~ +60°C

Storage Temperature -20°C ~ +70°C

(6) Input Power > 1Watt

(7) Measuring Circuit: ※Easy to match Impedance S11/S22 50Ω by parallel with about(--).



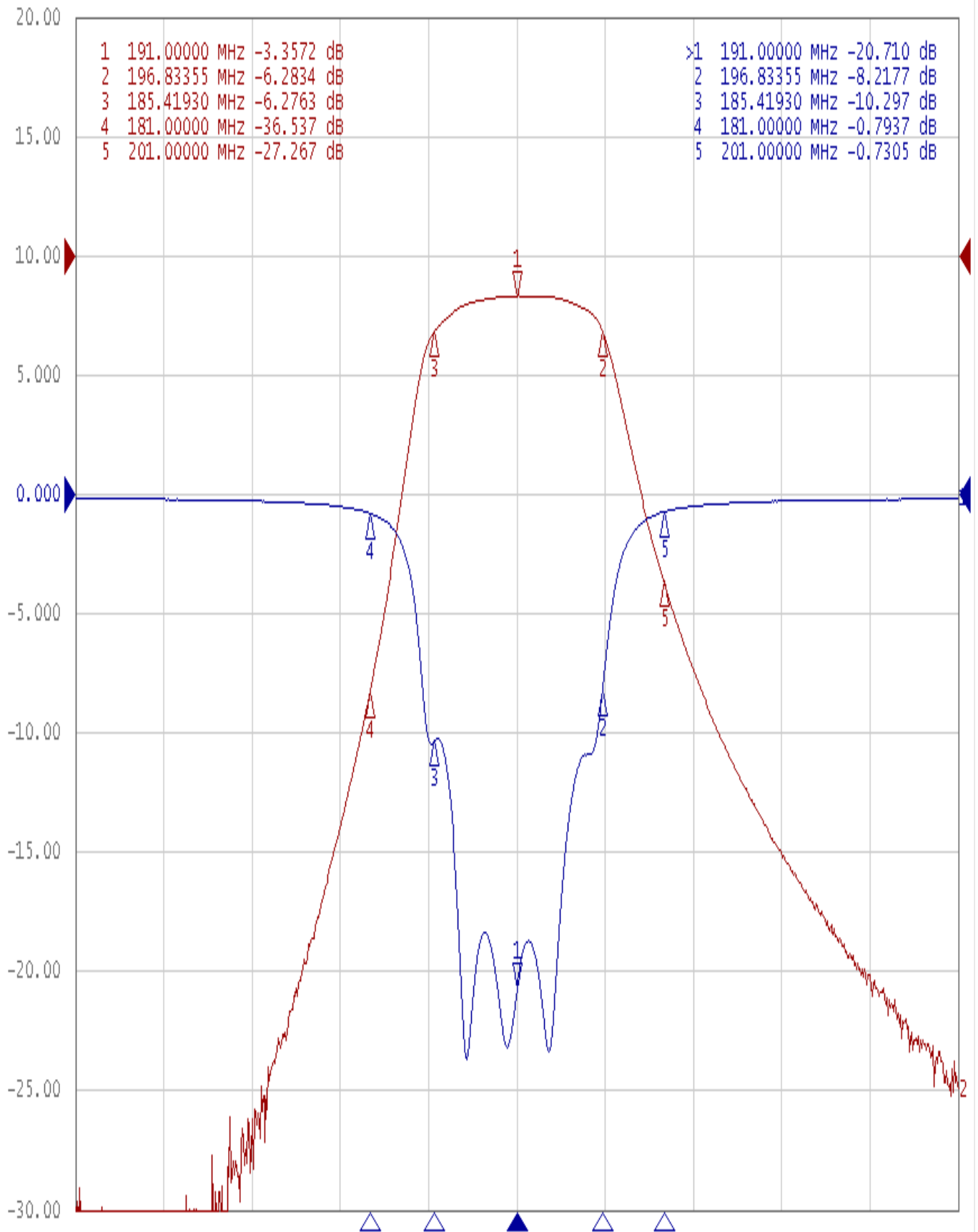
Approval C.Y.Chang	Supervisor C.K.Chang	Designer P.H.Chiang	Aperture size 7H5S(4*7.5)(7.59) 7H024RB4
-----------------------	-------------------------	------------------------	--

TEMWELL CORPORATION

Performance-TV6505B-191M

201204090CD

Tr1 S11 Log Mag 5.000dB/ Ref 0.000dB [F2]
Tr2 S21 Log Mag 10.000dB/ Ref 0.000dB [F2]



Center 191 MHz

IFBW 70 kHz

Span 60 MHz Cor !