

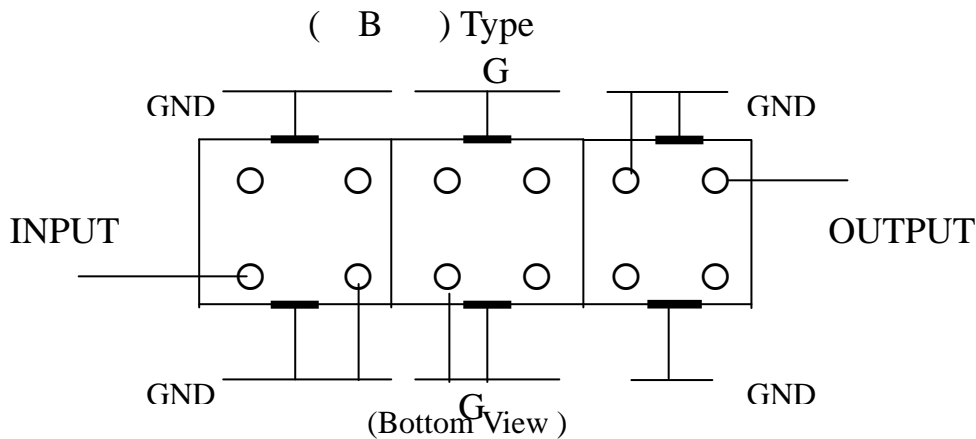
T E M W E L L

Customized UHF SHF Filter & Miniature Duplexer

VHF UHF Helical Filter Specification Sheet

Customer Name		Temwell's Part No.	TTWL3508B-1350M
Approval No. /dated	20311035DB	Customer's Part No.	
Work Instruction No.	20311035DB	Date	Nov.21.2003
<input type="checkbox"/> Buyer Print name		<input type="checkbox"/> Temwell,s print name	
Case Name	5W3	Case size : (mm)	
Terminator Type	B		

* Pin Position (Pin Connection) diagram as following



(3) Electric Character

Item	Specify	Performance
Center Freq.(Fo) +/- 0.5 %	1350 MHz	1350 MHz
Insertion Loss	Typ. 3.0 dB	1.92 dB
-3 dB Bandwidth	Typ. 50 MHz	54 MHz
Sensitivity (Attenuation)	Fo -(250) MHz	Typ. 54 dBc
	Fo +(250) MHz	Typ. 44 dBc
	Fo - ()MHz	Typ. dBc
	Fo +()MHz	Typ. dBc
Return Loss	Min. 12 dB	26 dB
Ripple	< 1 dB	dB
Group Delay	ns	ns
Impedance	In / Out : 100 Ω	In / Out : 100 Ω

4. Temperature Condition:

Operating Temperature	0 °C ~ +60 °C
Storage Temperature	-20 °C ~ +70 °C

Approval	Supervisor	Designer	Aperture size
C.Y.Chang	C.S.Chang	C.S.Chang	5w3 -3.8*3.5(3.8*3.61) 5HW046RB3.2

TEMWELL CORPORATION

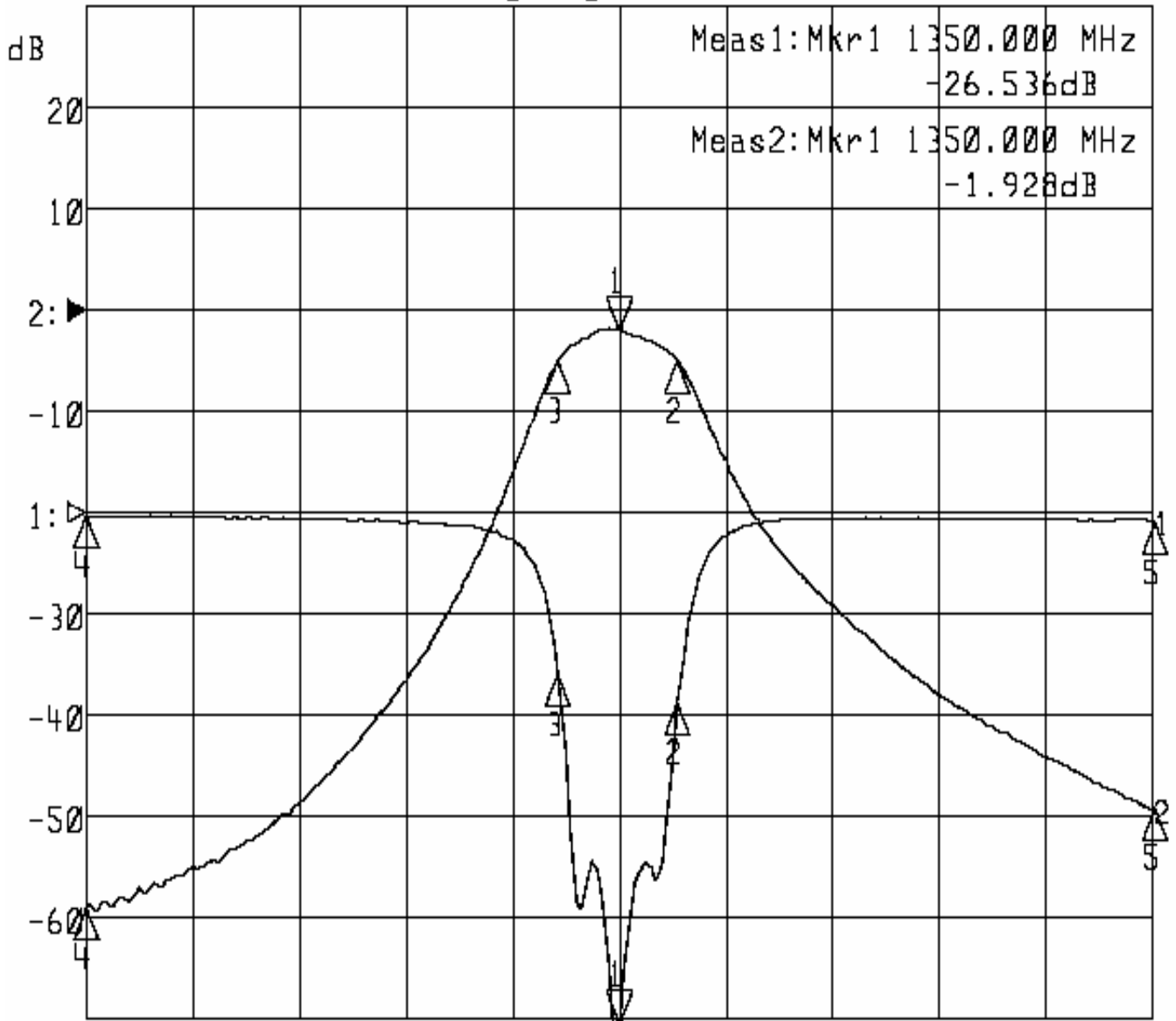
TEMWELL

Form11-7H3B Vession C

Performance-TTWL3508B -1350M

20311035DB

▷1: S11 Refl Port1 Log Mag 5.0 dB/ Ref 0.00 dB C
 ▶2: S21 Fwd Trans Log Mag 10.0 dB/ Ref 0.00 dB C



Center 1 350.000 MHz

Span 500.000 MHz

1: Mkr (MHz)	dB	2: Mkr (MHz)	dB
1> 1350.0000	-26.536	1> 1350.0000	-1.928
2: 1377.3333	-9.435	2: 1377.3333	-4.959
3: 1321.5000	-7.951	3: 1321.5000	-4.939
4: 1100.0000	-0.127	4: 1100.0000	-58.879
5: 1600.0000	-0.470	5: 1600.0000	-49.341