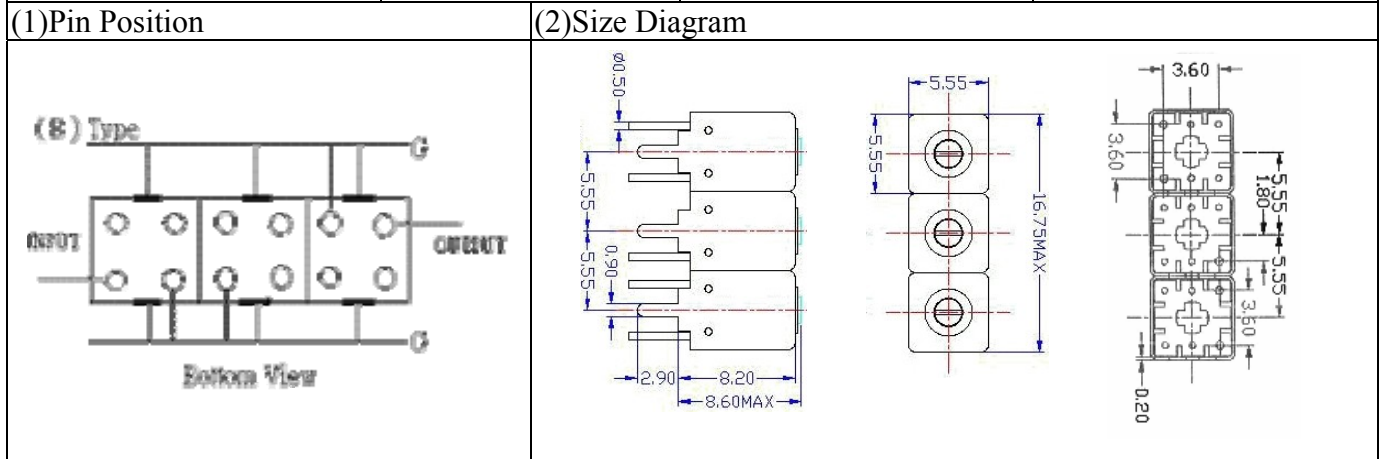


VHF UHF Helical Filter Specification Sheet

Customer Name		Temwell's Part No.	TTW3932B-1485M
Approval No. /dated	201006143CD	Temwell's Print Name.	3932B 1485M
Work Instruction No.	201006143CD	Date	Jul.09.2010



(3) Electric Character			
Item		Specify	Performance
Center Freq.(Fo) +/- 0.5 %		1485 MHz	1485 MHz
Insertion Loss		Typ. 2.5 dB	1.33 dB
-3 dB Bandwidth		Typ. 120 MHz	139.8 MHz
Sensitivity (Attenuation)	Fo - 180 MHz	Typ. 30 dBc	33 dBc
	Fo +180 MHz	Typ. 17 dBc	20 dBc
	Fo - ()MHz	Typ. dBc	dBc
	Fo +()MHz	Typ. dBc	dBc
Return Loss		Min. 12 dB	27.9 dB
Ripple		< 1 dB	dB
Impedance		In / Out : 50 Ω	In / Out : 50 Ω

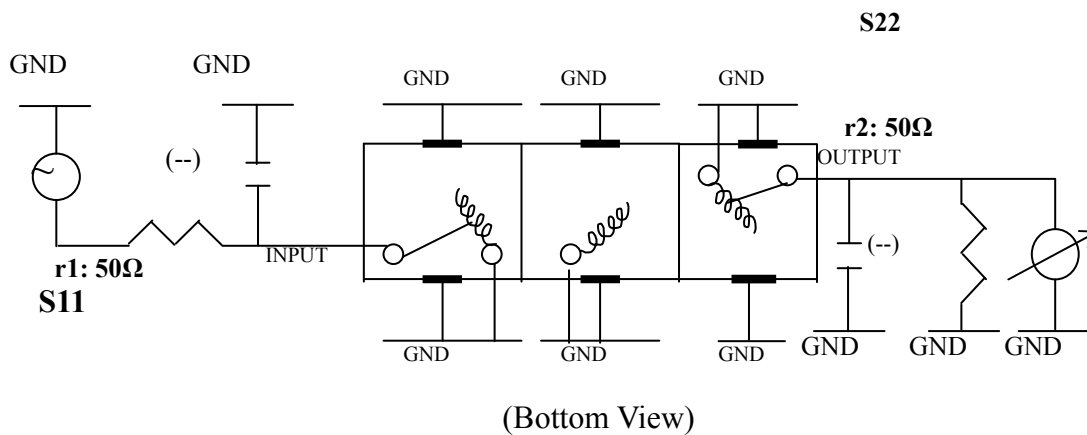
(4) Torque for Tuning Screw > 60gf · cm

(5) Temperature Condition:

Operating Temperature	0°C ~ +60°C
Storage Temperature	-20°C ~ +70°C

(6) Input Power > 0.5Watt

(7) Measuring Circuit: ※Easy to match Impedance S11/S22 50Ω by parallel with about(--)/ (--).



Approval	Supervisor	Designer	Aperture size
C.Y.Chang	C.K.Chang	C.S.Chang	5W3S(3.8*4.5)(4.59) 5HW046LB4.0

TEMWELL CORPORATION

TEMWELL

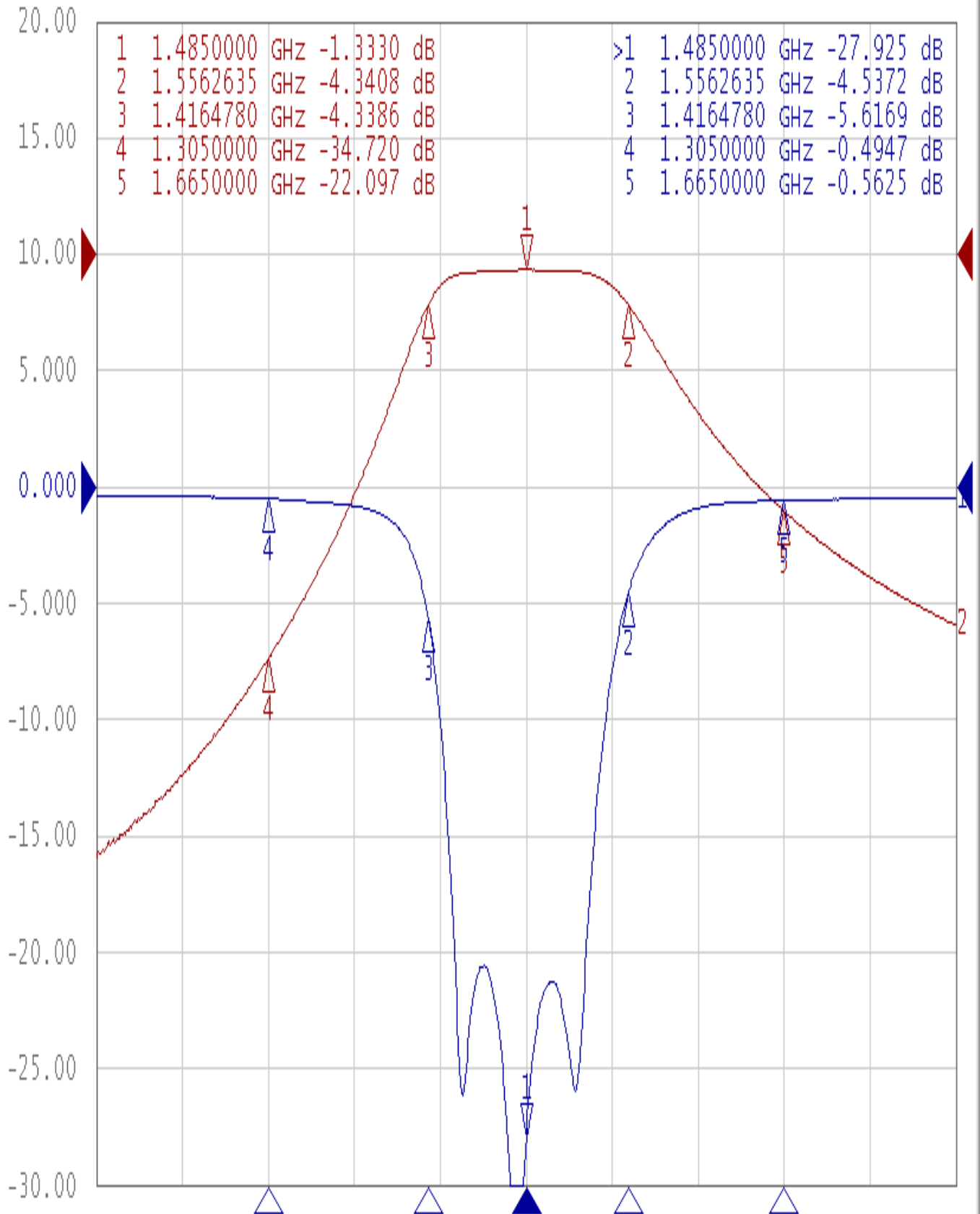
Form10-5W3B Vision D

RP(C.S.C)

Performance-TTW3932B-1485M

201006143CD

Tr1 S11 Log Mag 5.000dB/ Ref 0.000dB [F2]
Tr2 S21 Log Mag 10.00dB/ Ref 0.000dB [F2]



1 Center 1.485 GHz

IFBW 10 kHz

Span 600 MHz Cor !