

VHF UHF Helical Filter Specification Sheet

Customer Name		Temwell's Part No.	TTW3916B-850M-80M
Approval No. /dated	0903002APR	Temwell's Print Name.	3916B 850M
Work Instruction No.	200903002BD	Date	Mar.04.2009

<p>(1) Pin Position</p>	<p>(2) Size Diagram</p>
-------------------------	-------------------------

(3) Electric Character

Item	Specify	Performance	
Center Freq.(Fo) +/- 0.5 %	850 MHz	850 MHz	
Tunable Range:	850±5 MHz	850±5 MHz	
Insertion Loss	Typ. 2.0 dB	1.23 dB	
-3 dB Bandwidth	Typ. 80 MHz	84.1 MHz	
Sensitivity (Attenuation)	Fo - 150 MHz	Typ. 43 dBc	46 dBc
	Fo + 150 MHz	Typ. 25 dBc	28 dBc
	Fo - ()MHz	Typ. dBc	dBc
	Fo +()MHz	Typ. dBc	dBc
Return Loss	Min. 12 dB	23.3 dB	
Ripple	< 1 dB	dB	
Impedance	In / Out : 50 Ω	In / Out : 50 Ω	

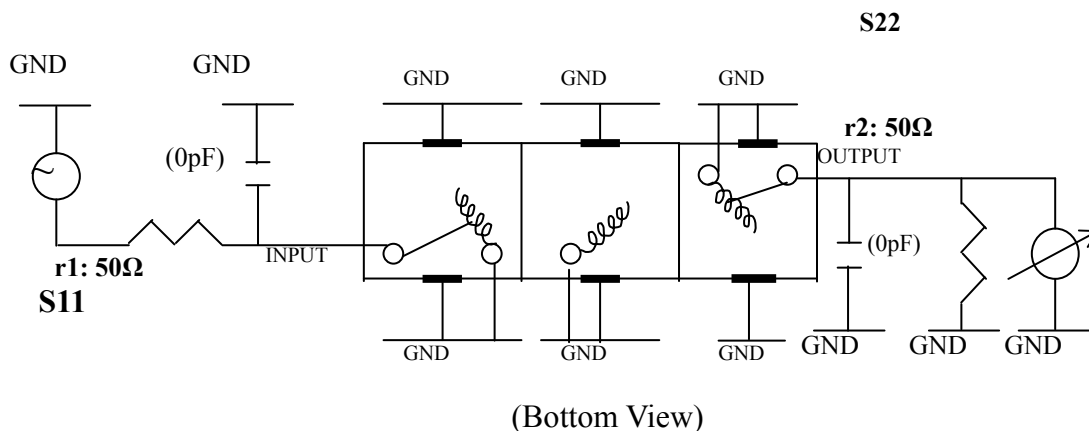
(4) Torque for Tuning Screw > 100gf · cm

(5) Temperature Condition:

Operating Temperature	0°C ~ +60°C
Storage Temperature	-20°C ~ +70°C

(6) Input Power > 0.5Watt

(7) Measuring Circuit: ※Easy to match Impedance S11/S22 50Ω by parallel with about(0pF) / (0pF).



Approval C.Y.Chang	Supervisor C.K.Chang	Designer C.S.Chang	Aperture size 5W3S(3.8*5.1)(5.18) (5HW046RB4)
-----------------------	-------------------------	-----------------------	---

TEMWELL CORPORATION

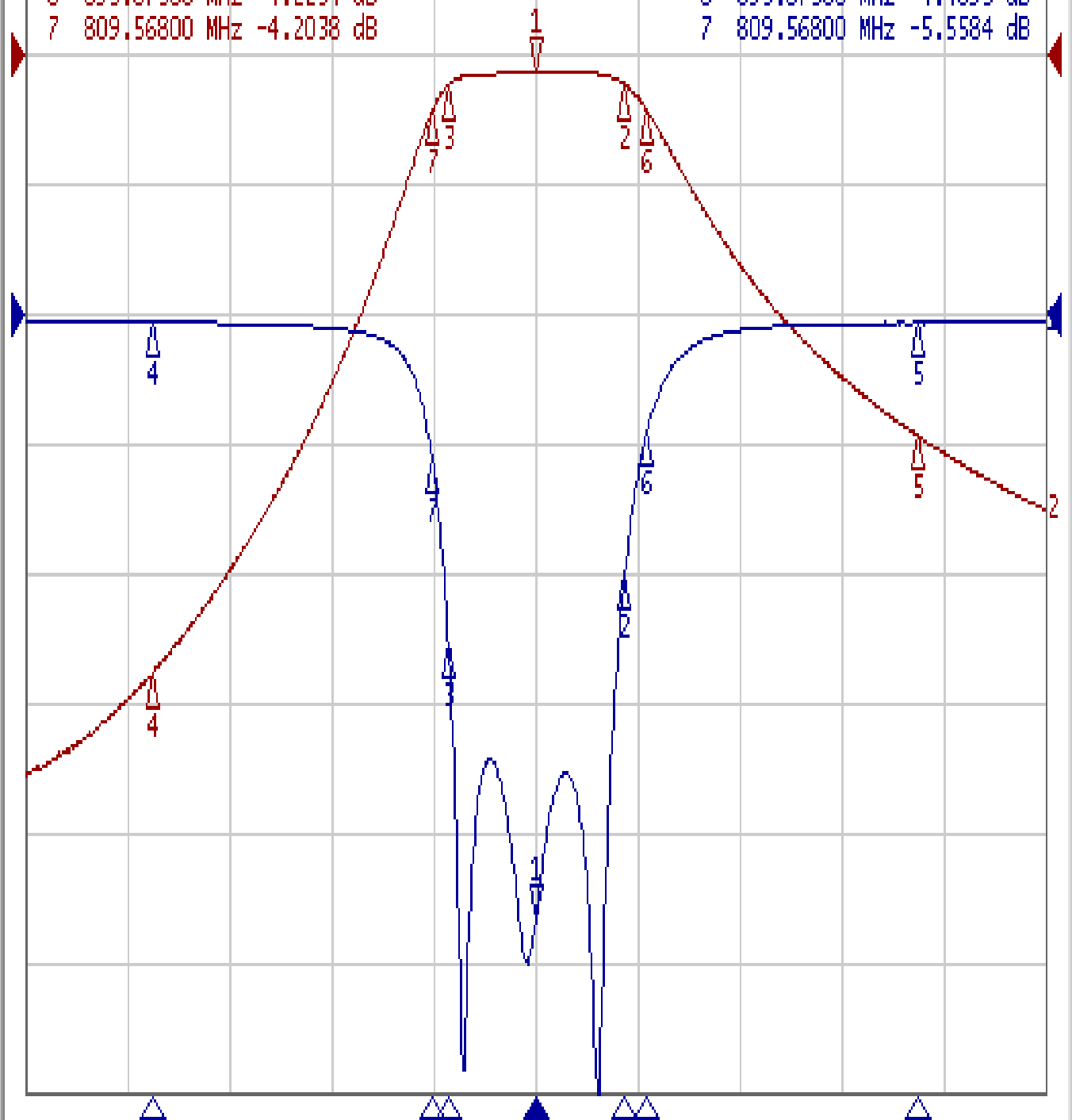
Performance-TTW3916B-850M-80M

200903002BD

Tr1 S11 Log Mag 5.000dB/ Ref 0.000dB [F2]
Tr2 S21 Log Mag 10.00dB/ Ref 0.000dB [F2]

1	850.00000 MHz	-1.2360 dB
2	884.99400 MHz	-2.2055 dB
3	815.80700 MHz	-2.2317 dB
4	700.00000 MHz	-47.590 dB
5	1.0000000 GHz	-29.338 dB
6	893.67300 MHz	-4.2234 dB
7	809.56800 MHz	-4.2038 dB

>1	850.00000 MHz	-23.332 dB
2	884.99400 MHz	-10.027 dB
3	815.80700 MHz	-12.702 dB
4	700.00000 MHz	-0.2706 dB
5	1.0000000 GHz	-0.3116 dB
6	893.67300 MHz	-4.4895 dB
7	809.56800 MHz	-5.5584 dB



1 Center 850 MHz

IFBW 10 kHz

Span 400 MHz

