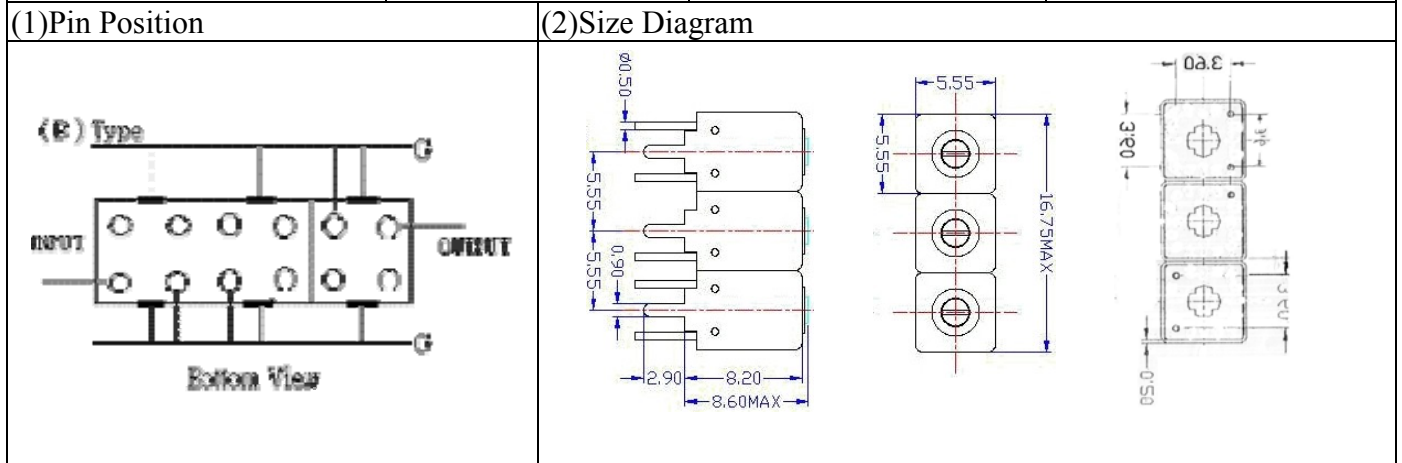


VHF UHF Helical Filter Specification Sheet

Customer Name		Temwell's Part No.	TTW3908B-525M
Approval No. /dated	0901024CD	Temwell's Print Name.	3908B 525M
Work Instruction No.	200901024CD	Date	Mar.30.2009



(3) Electric Character		Item	Specify	Performance
		Center Freq.(Fo) +/- 0.5 %	525 MHz	525 MHz
		Tunable Range:	525±3 MHz	525±3 MHz
		Insertion Loss	Typ. 3.0 dB	1.99 dB
		-3 dB Bandwidth	Typ. 40 MHz	44.0 MHz
Sensitivity (Attenuation)	Fo - 50 MHz	Typ. 17 dBc		20 dBc
	Fo + 50 MHz	Typ. 19 dBc		22 dBc
	Fo - ()MHz	Typ. dBc		dBc
	Fo +()MHz	Typ. dBc		dBc
		Return Loss	Min. 12 dB	31.5 dB
		Ripple	< 1 dB	dB
		Impedance	In / Out : 50 Ω	In / Out : 50 Ω

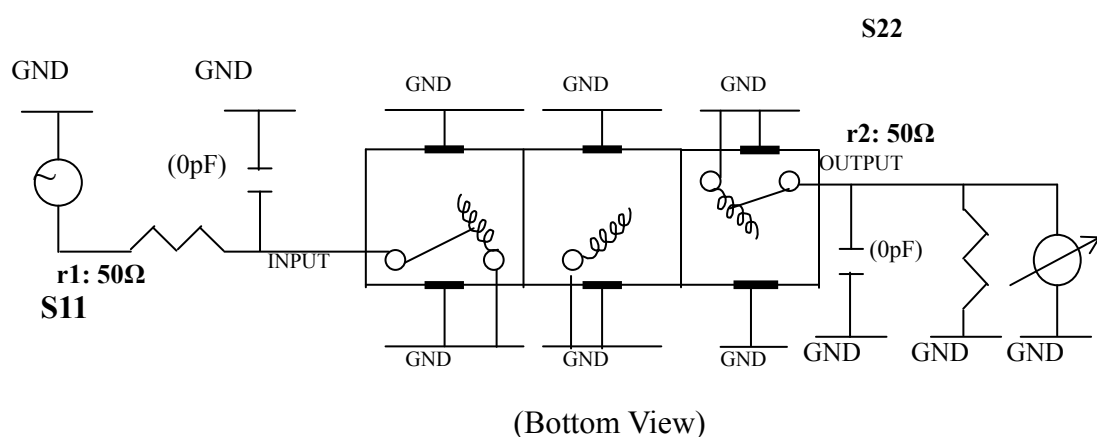
(4) Torque for Tuning Screw > 60gf · cm

(5) Temperature Condition:

Operating Temperature	0°C ~ +60°C
Storage Temperature	-20°C ~ +70°C

(6) Input Power > 0.5Watt

(7) Measuring Circuit: ※Easy to match Impedance S11/S22 50Ω by parallel with about(0pF) / (0pF).



Approval	Supervisor	Designer	Aperture size
C.Y.Chang	C.K.Chang	C.S.Chang	5W3(3.8*3.5)*(3.58) 5HW020LB4.5

TEMWELL CORPORATION

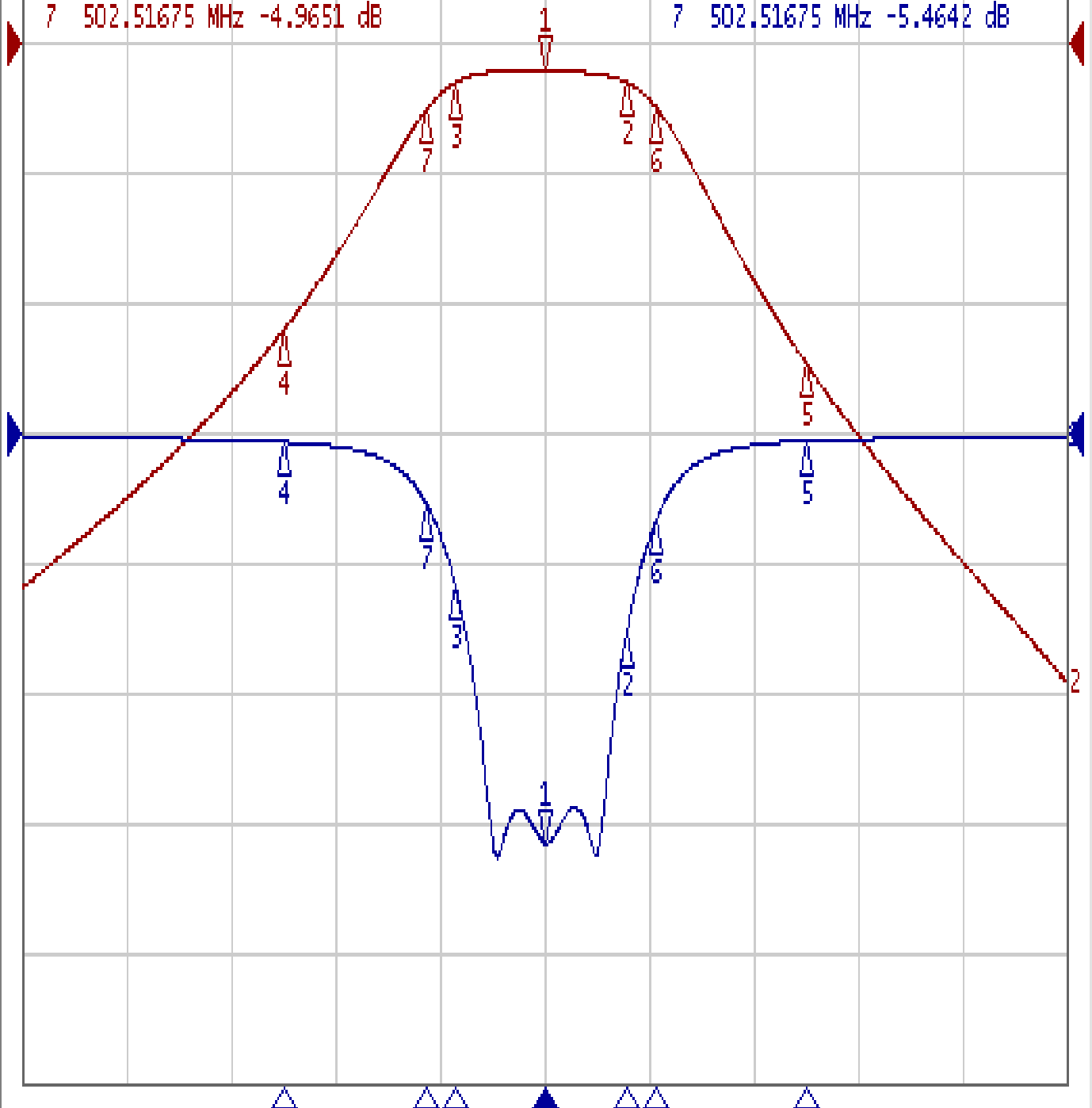
Performance-TTW3908B-525M

200901024CD

Tr1 S11 Log Mag 10.00dB/ Ref 0.000dB [F3]
Tr2 S21 Log Mag 10.00dB/ Ref 0.000dB [F3]

1	525.00000 MHz	-1.9978 dB
2	540.70350 MHz	-2.9097 dB
3	507.82050 MHz	-2.9592 dB
4	475.00000 MHz	-22.022 dB
5	575.00000 MHz	-24.549 dB
6	546.50625 MHz	-4.9250 dB
7	502.51675 MHz	-4.9651 dB

>1	525.00000 MHz	-31.582 dB
2	540.70350 MHz	-15.295 dB
3	507.82050 MHz	-11.558 dB
4	475.00000 MHz	-0.6334 dB
5	575.00000 MHz	-0.5414 dB
6	546.50625 MHz	-6.5168 dB
7	502.51675 MHz	-5.4642 dB



1 Center 525 MHz

IFBW 10 kHz

Span 200 MHz

