

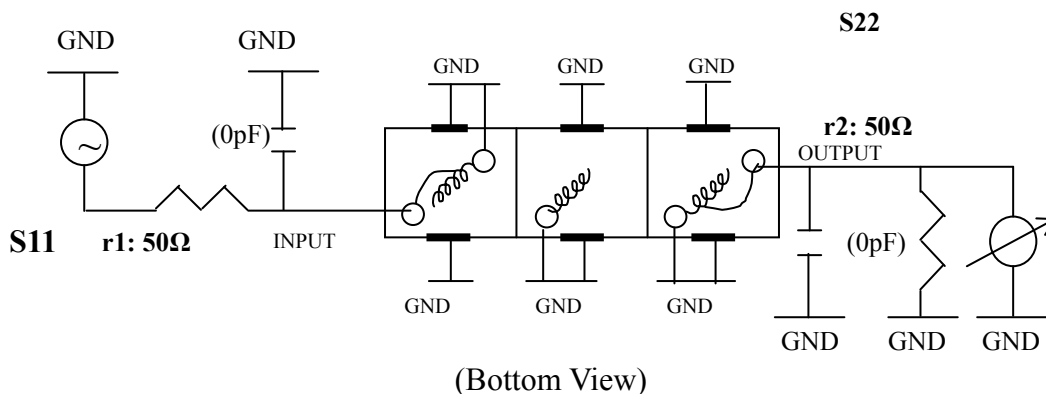
VHF UHF Helical Filter Specification Sheet

Customer Name		Temwell's Part No.	TTW3904F-325M
Approval No. /dated	0901028APR	Customer's Part No.	3904F 325M
Work Instruction No.	200901028BD	Date	Jan.16.2009

(1)Pin Position	(2)Size Diagram

(3)Electric Charasteric			
Item		Specify	Performance
Center Freq.(Fo) +/- 0.5 %		325 MHz	325 MHz
Tunable Range:		325±3 MHz	325±3 MHz
Insertion Loss		Typ. 2.0 dB	1.13 dB
-3 dB Bandwidth		Typ. 40 MHz	44.8 MHz
Sensitivity (Attenuation)	Fo -100 MHz	Typ. 38 dBc	41 dBc
	Fo +100 MHz	Typ. 28 dBc	31 dBc
	Fo - ()MHz	Typ. dBc	dBc
	Fo +()MHz	Typ. dBc	dBc
Return Loss		Min. 12 dB	25.9 dB
Ripple		< 1 dB	dB
Impedance		In / Out : 50 Ω	In / Out : 50 Ω
(4)Torque for Tuning Screw		> 60gf · cm	
(5)Temperature Condition:			
Operating Temperature		0°C ~ +60°C	
Storage Temperature		-20°C ~ +70°C	
(6)Input Power		> 0.5Watt	

(7)Measuring Circuit: ※Easy to match Impedance S11/S22 50Ω/50Ω by parallel with about(0 pF) / (0 pF).

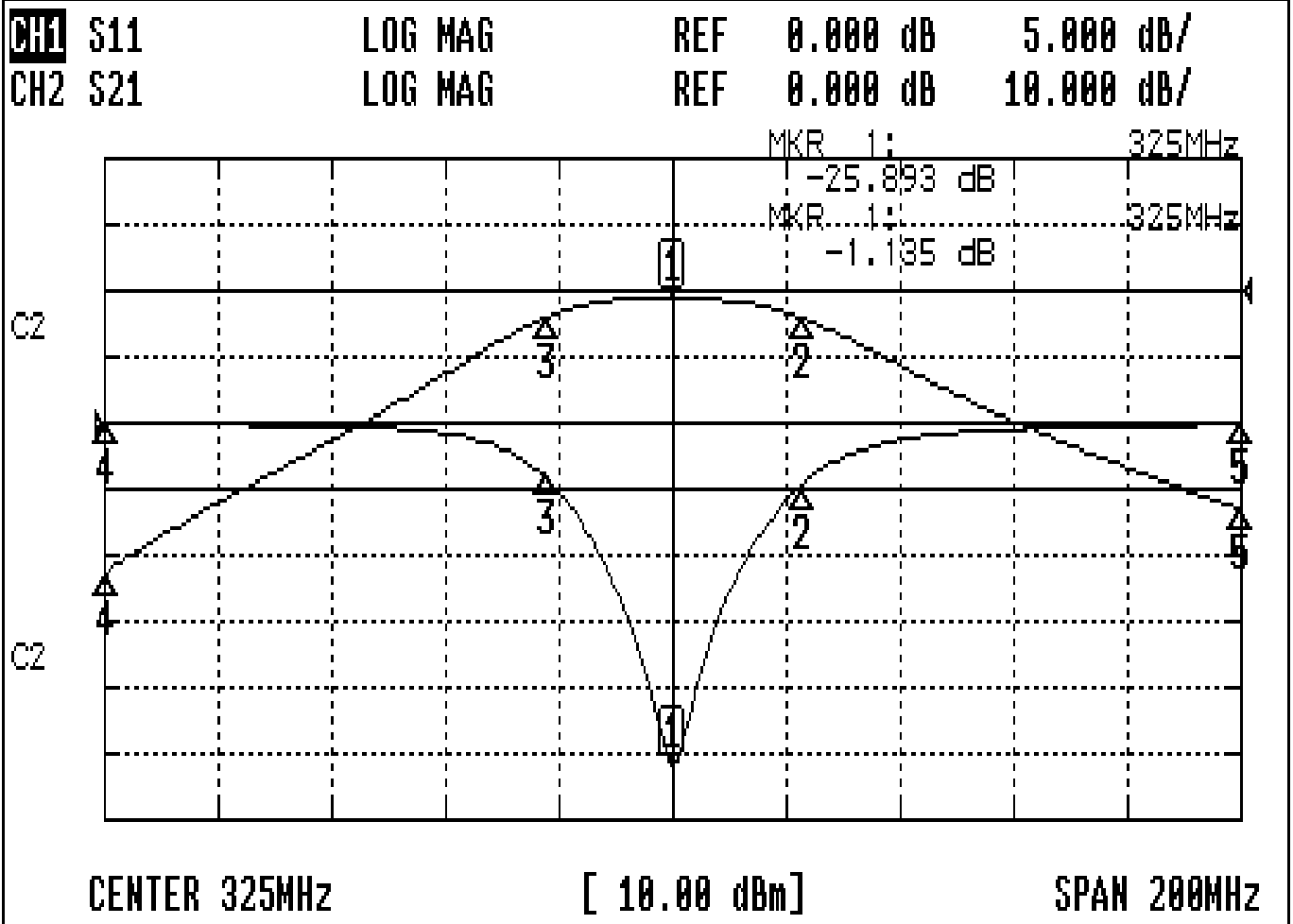


Approval	Supervisor	Designer	Aperture size
C.Y.Chang	C.S.Chang	C.H.Yeh	5W3S(3.8*4.5)(4.57) (5H020RB4.5)

TEMWELL CORPORATION

Performance-TTW3904F-325M

200901028BD



CH1 MARKER LIST

1:	325.000MHz	-25.903 dB
2:	347.666MHz	-4.719 dB
3:	302.833MHz	-4.191 dB
4:	225.000MHz	-0.082 dB
5:	425.000MHz	-0.109 dB

CH2 MARKER LIST

1:	325.000MHz	-1.135 dB
2:	347.666MHz	-4.067 dB
3:	302.833MHz	-4.011 dB
4:	225.000MHz	-42.733 dB
5:	425.000MHz	-32.961 dB