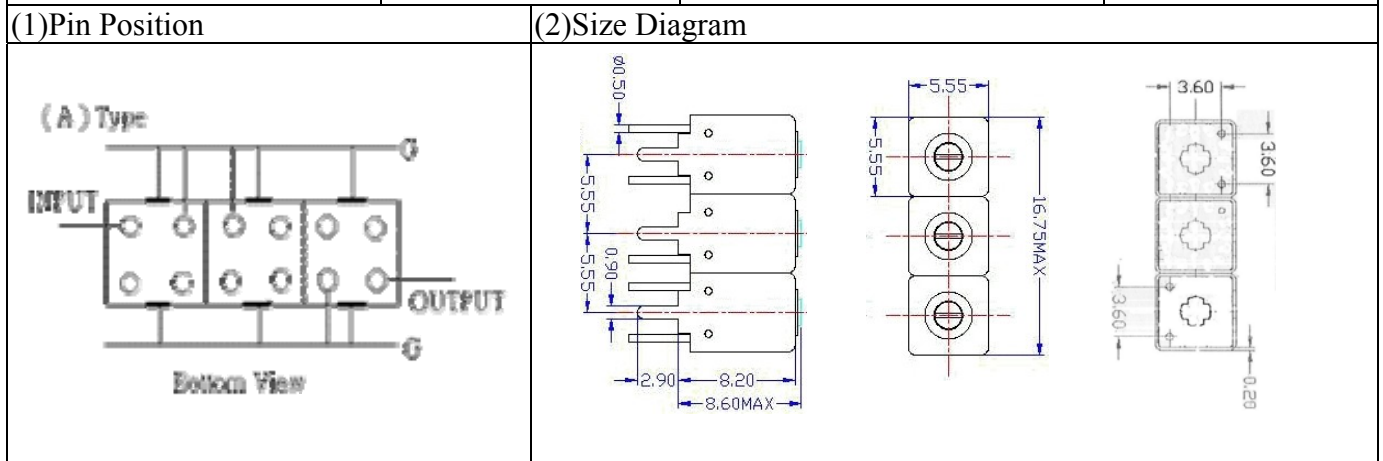
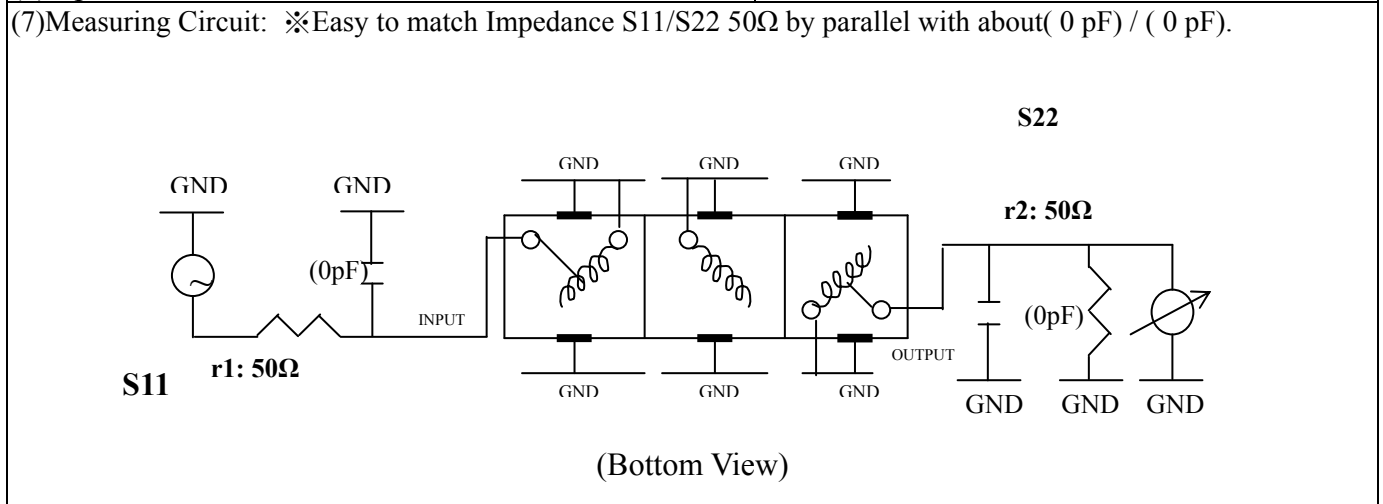


# VHF UHF Helical Filter Specification Sheet

Customer Name		Temwell's Part No.	TTW3896A-425M
Approval No. /dated	0806025CD	Acceptable Specify Fo Range	401~450MHz
Work Instruction No.	0806025CD	Date	June.17.2007



(3) Electric Characteristic			
Item	Specify		Performance
Center Freq.(Fo) +/- 0.5 %	425	MHz	425 MHz
Tunable Range:	425±5	MHz	425±5 MHz
Insertion Loss	Typ. 3.0	dB	1.91 dB
-3 dB Bandwidth	Typ. 20	MHz	26.9 MHz
Sensitivity (Attenuation)	Fo -50 MHz	Typ. 33 dBc	36 dBc
	Fo +50 MHz	Typ. 30 dBc	33 dBc
	Fo - ( )MHz	Typ. dBc	dBc
	Fo +( )MHz	Typ. dBc	dBc
Return Loss	Min. 12	dB	23.8 dB
Ripple	< 1	dB	dB
Impedance	In / Out : 50Ω		In / Out : 50Ω
(4) Torque for Tuning Screw	> 60gf • cm		
(5) Temperature Condition:			
Operating Temperature	0°C ~ +60°C		
Storage Temperature	-20°C ~ +70°C		
(6) Input Power	>0.5Watt		



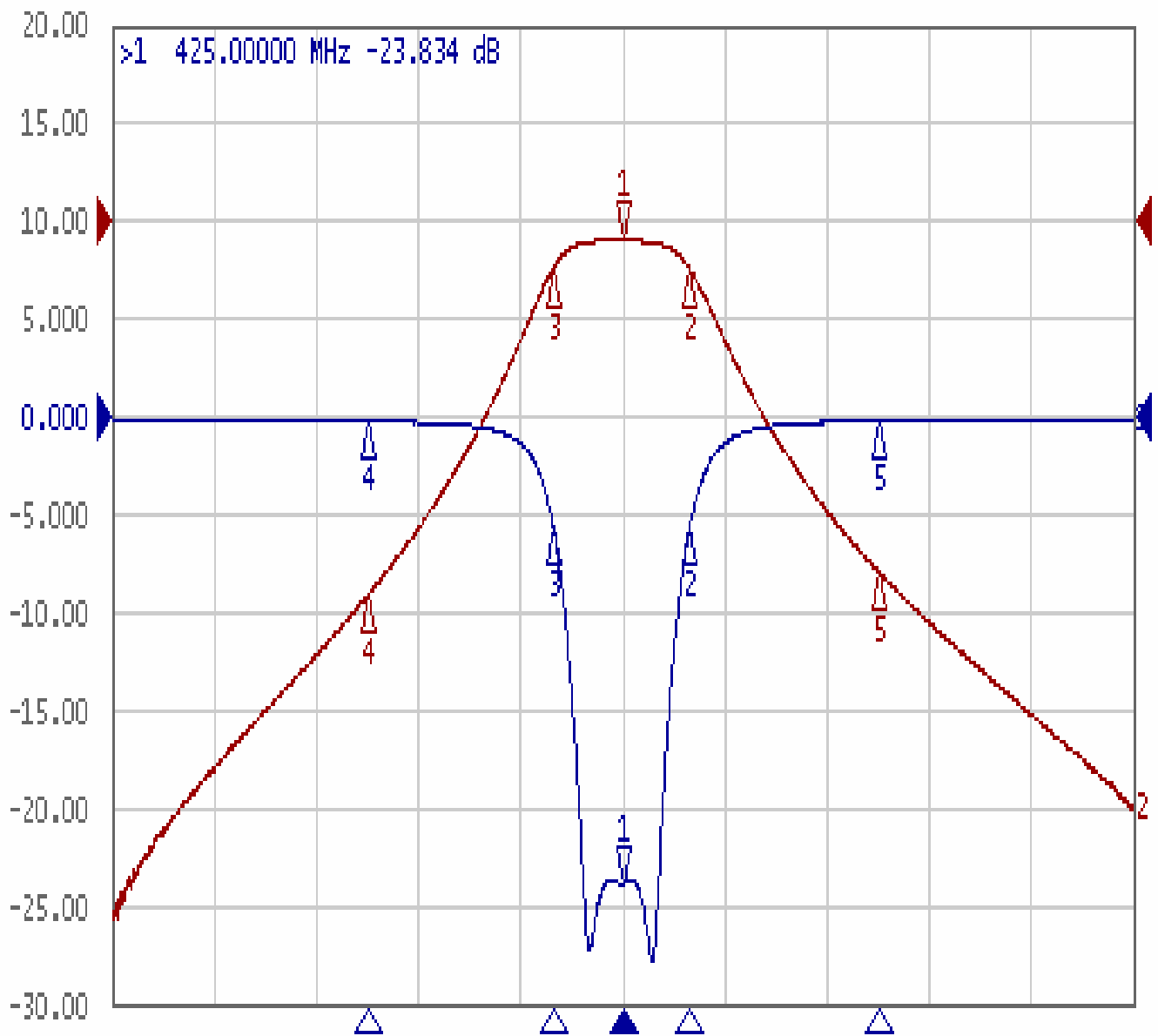
Approval	Supervisor	Designer	Aperture size
C.Y.Chang	C.S.Chang	C.S.Chang	5w3(3.8*4.0) 5HW020RB3.5

TEMWELL CORPORATION

# Performance-TTW3896A-425M

## 0806025CD

Tr1 S11 Log Mag 5.000dB/ Ref 0.000dB [F3]  
Tr2 S21 Log Mag 10.00dB/ Ref 0.000dB [F3]



1 Center 425 MHz

IFBW 10 kHz

Span 200 MHz



Ch1	Tr1	S11	>1	425.00000	MHz	-23.834	dB
Ch1	Tr1	S11	2	438.11125	MHz	-5.6151	dB
Ch1	Tr1	S11	3	411.29225	MHz	-5.5541	dB
Ch1	Tr1	S11	4	375.00000	MHz	-0.2094	dB
Ch1	Tr1	S11	5	475.00000	MHz	-0.2058	dB
Ch1	Tr2	S21	1	425.00000	MHz	-1.9172	dB
Ch1	Tr2	S21	2	438.11125	MHz	-4.8910	dB
Ch1	Tr2	S21	3	411.29225	MHz	-4.8124	dB
Ch1	Tr2	S21	4	375.00000	MHz	-38.210	dB
Ch1	Tr2	S21	5	475.00000	MHz	-35.798	dB