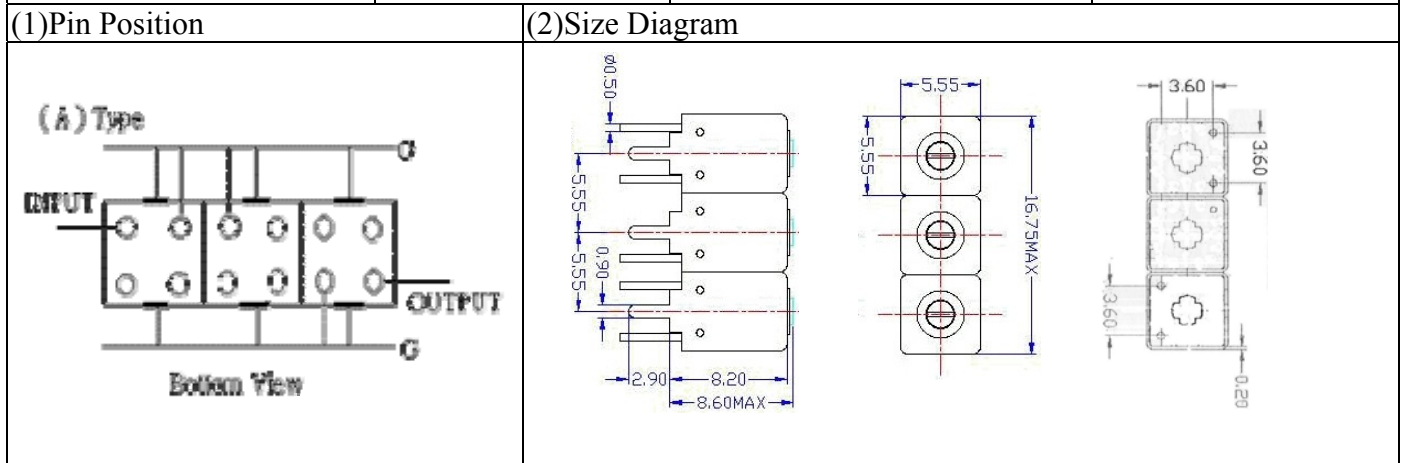


# VHF UHF Helical Filter Specification Sheet

|                      |           |                             |               |
|----------------------|-----------|-----------------------------|---------------|
| Customer Name        |           | Temwell's Part No.          | TTW3894A-325M |
| Approval No. /dated  | 0806023CD | Acceptable Specify Fo Range | 301~350MHz    |
| Work Instruction No. | 0806023CD | Date                        | June.17.2007  |



### (3) Electric Charasteric

| Item                          | Specify        | Performance    |
|-------------------------------|----------------|----------------|
| Center Freq.(Fo ) +/- 0.75 %  | 325 MHz        | 325 MHz        |
| Tunable Range:                | 325±4 MHz      | 325±4 MHz      |
| Insertion Loss                | Typ 3.5 dB     | 2.14 dB        |
| -3 dB Bandwidth               | Typ. 20 MHz    | 23.6 MHz       |
| Sensitivity<br>(Attenuation ) | Fo -50 MHz     | Typ. 42 dBc    |
|                               | Fo +50 MHz     | Typ. 33 dBc    |
|                               | Fo - ( )MHz    | Typ. dBc       |
|                               | Fo +( )MHz     | Typ. dBc       |
| Return Loss                   | Min. 12 dB     | 24.9 dB        |
| Ripple                        | < 1 dB         | dB             |
| Impedance                     | In / Out : 50Ω | In / Out : 50Ω |

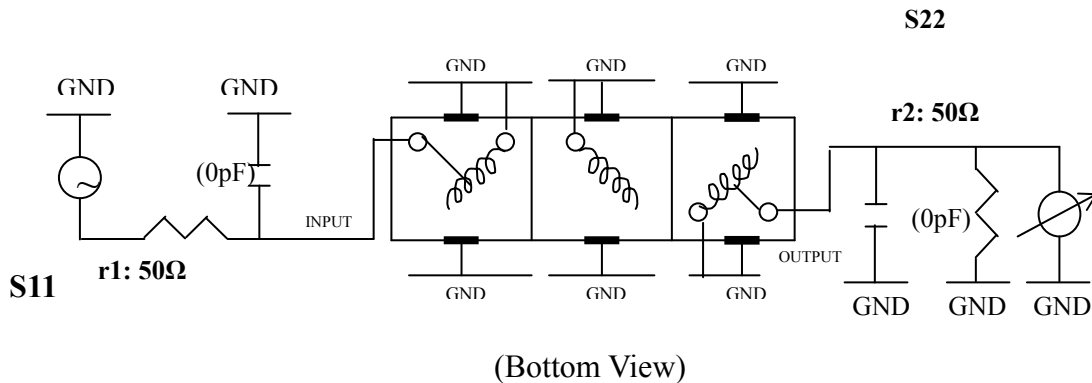
(4) Torque for Tuning Screw > 60gf · cm

(5) Temperature Condition:

|                       |               |
|-----------------------|---------------|
| Operating Temperature | 0°C ~ +60°C   |
| Storage Temperature   | -20°C ~ +70°C |

(6) Input Power > 0.5Watt

(7) Measuring Circuit: ※ Easy to match Impedance S11/S22 50Ω by parallel with about( 0 pF) / ( 0 pF).



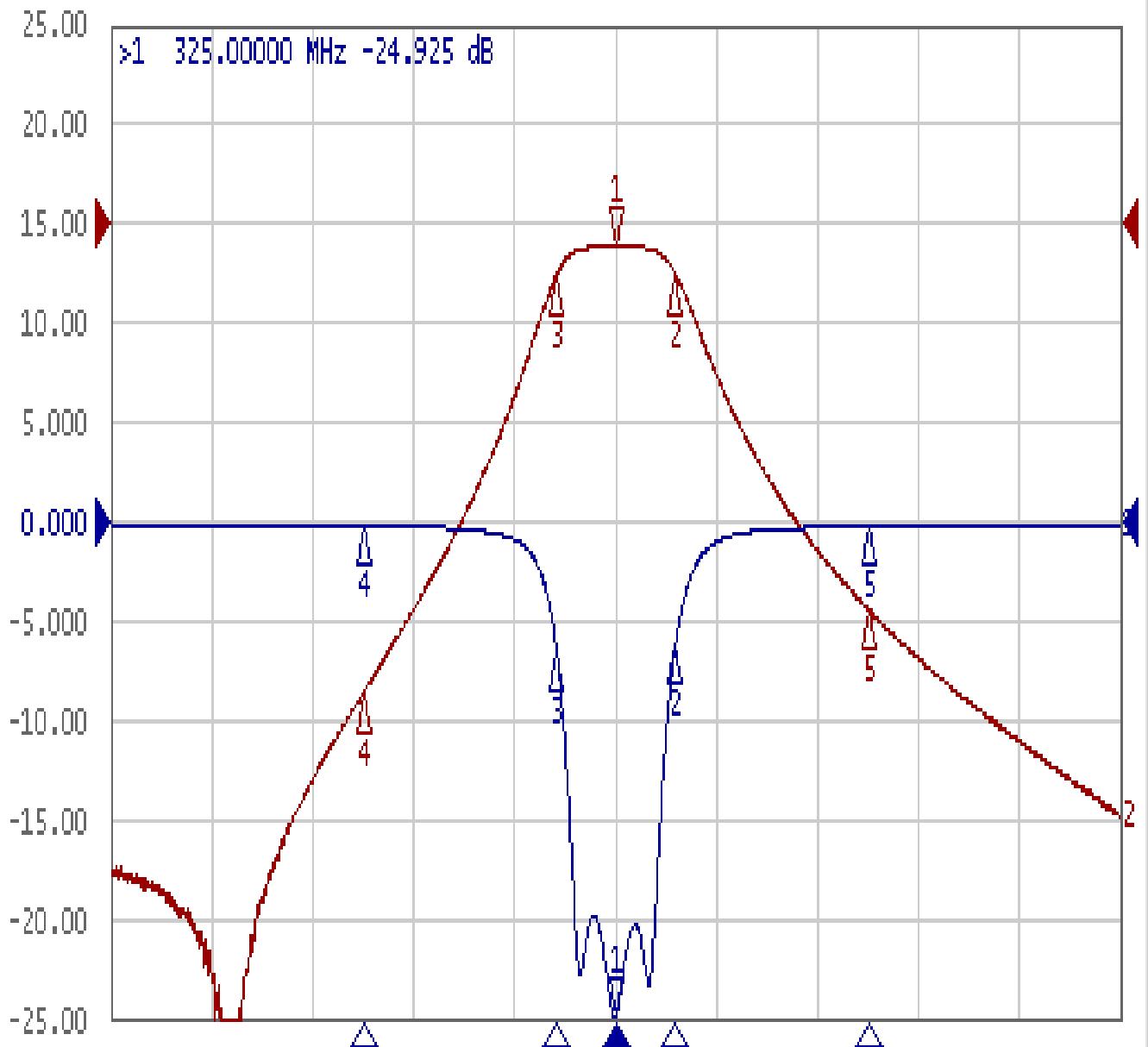
|           |            |           |                             |
|-----------|------------|-----------|-----------------------------|
| Approval  | Supervisor | Designer  | Aperture size               |
| C.Y.Chang | C.S.Chang  | C.S.Chang | 5w3(3.8*4.5)<br>5HW020RB3.5 |

TEMWELL CORPORATION

# Performance-TTW3894A-325M

## 0806023CD

Tr1 S11 Log Mag 5.000dB/ Ref 0.000dB [F3]  
Tr2 S21 Log Mag 10.00dB/ Ref 0.000dB [F3]



1 Center 325 MHz

IFBW 10 kHz

Span 200 MHz



|     |     |     |    |           |     |         |    |
|-----|-----|-----|----|-----------|-----|---------|----|
| Ch1 | Tr1 | S11 | >1 | 325.00000 | MHz | -24.925 | dB |
| Ch1 | Tr1 | S11 | 2  | 336.93775 | MHz | -6.0937 | dB |
| Ch1 | Tr1 | S11 | 3  | 313.30100 | MHz | -6.4752 | dB |
| Ch1 | Tr1 | S11 | 4  | 275.00000 | MHz | -0.1746 | dB |
| Ch1 | Tr1 | S11 | 5  | 375.00000 | MHz | -0.2208 | dB |
| Ch1 | Tr2 | S21 | 1  | 325.00000 | MHz | -2.1453 | dB |
| Ch1 | Tr2 | S21 | 2  | 336.93775 | MHz | -5.1068 | dB |
| Ch1 | Tr2 | S21 | 3  | 313.30100 | MHz | -5.1392 | dB |
| Ch1 | Tr2 | S21 | 4  | 275.00000 | MHz | -47.227 | dB |
| Ch1 | Tr2 | S21 | 5  | 375.00000 | MHz | -38.793 | dB |