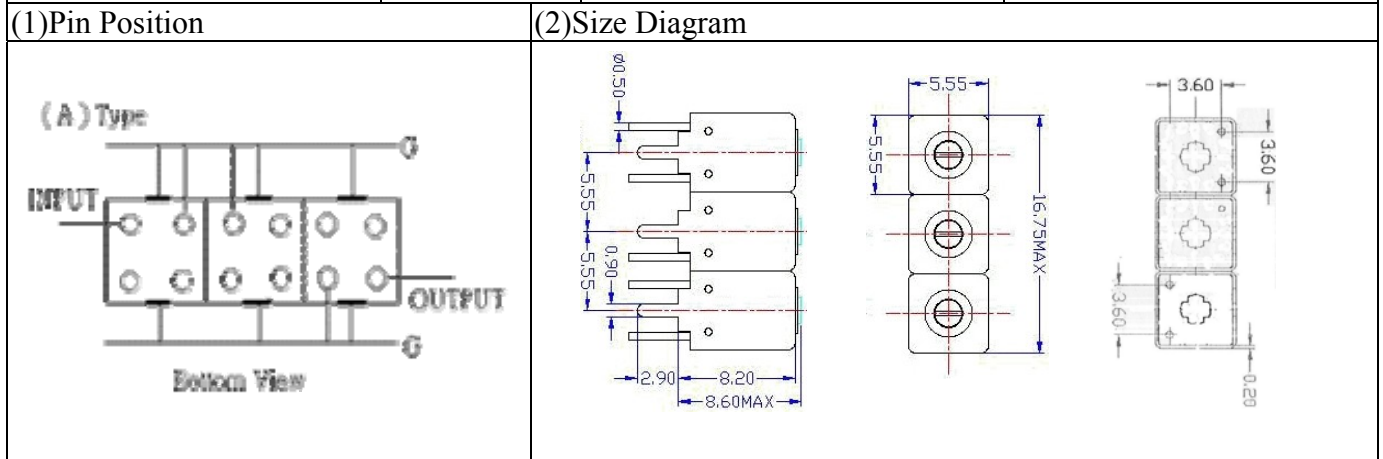


VHF UHF Helical Filter Specification Sheet

Customer Name		Temwell's Part No.	TTW3893A-575M
Approval No. /dated	0806022CD	Acceptable Specify Fo Range	551~600MHz
Work Instruction No.	0806022CD	Date	June.16.2007



(3) Electric Characteristic

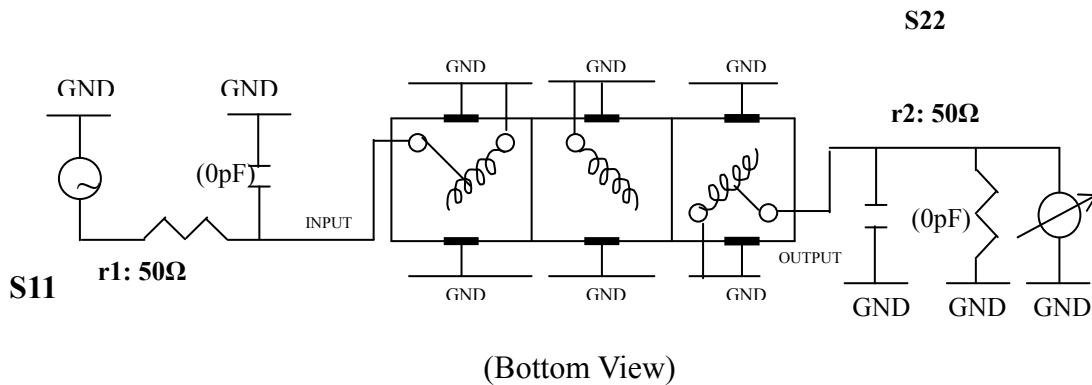
Item	Specify	Performance	
Center Freq.(Fo) +/- 0.5 %	575 MHz	575 MHz	
Tunable Range:	575±5 MHz	575±5 MHz	
Insertion Loss	Typ 4.5 dB	4.33 dB	
-3 dB Bandwidth	Typ. 10 MHz	16.6 MHz	
Sensitivity (Attenuation)	Fo -50 MHz	Typ. 51 dBc	54 dBc
	Fo +50 MHz	Typ. 40 dBc	43 dBc
	Fo - ()MHz	Typ. dBc	dBc
	Fo +()MHz	Typ. dBc	dBc
Return Loss	Min. 12 dB	39.4 dB	
Ripple	< 1 dB	dB	
Impedance	In / Out : 50Ω	In / Out : 50Ω	
(4) Torque for Tuning Screw	> 60gf • cm		

(5) Temperature Condition:

Operating Temperature	0°C ~ +60°C
Storage Temperature	-20°C ~ +70°C

(6) Input Power

(7) Measuring Circuit: ※Easy to match Impedance S11/S22 50Ω by parallel with about(0 pF) / (0 pF).

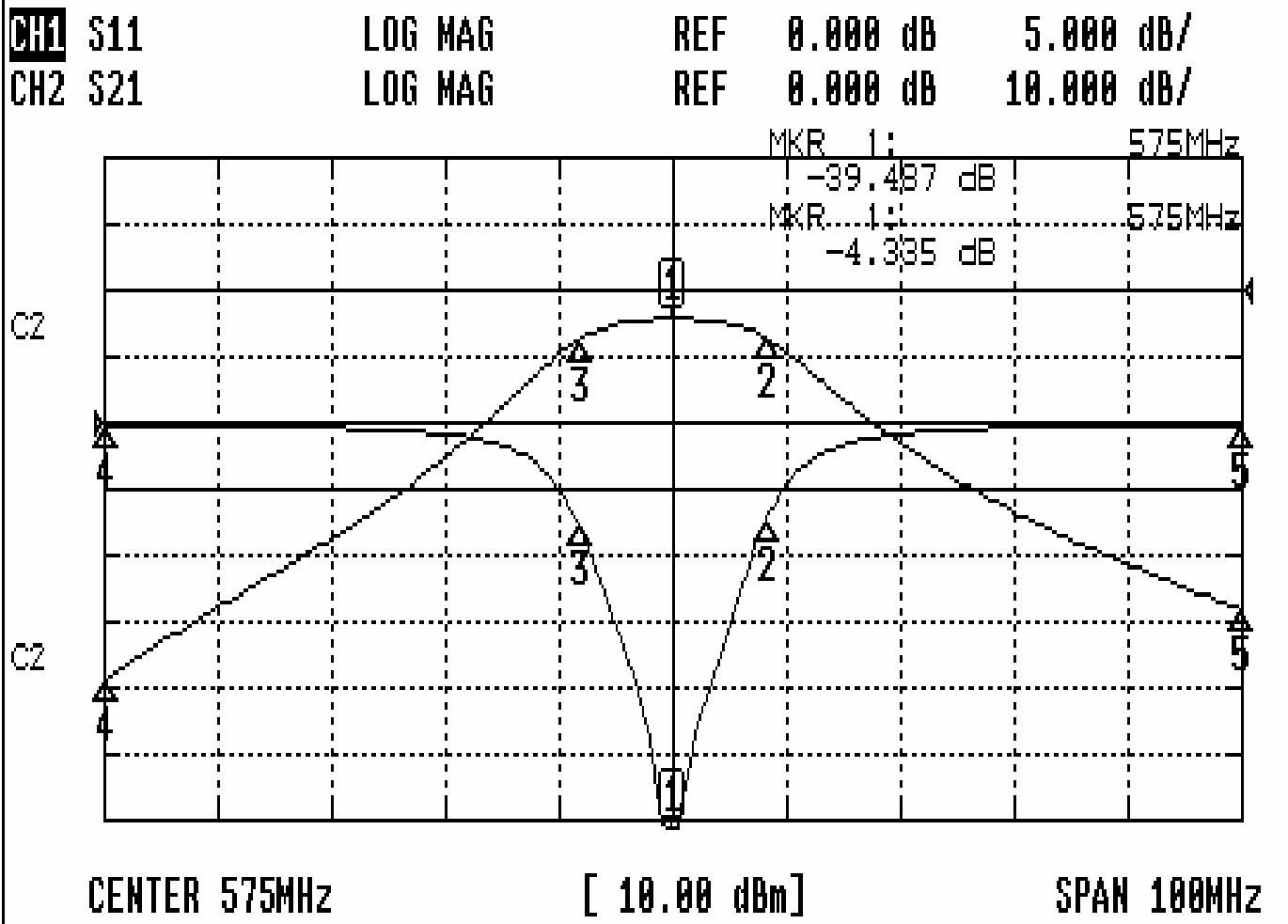


Approval	Supervisor	Designer	Aperture size
C.Y.Chang	C.S.Chang	C.S.Chang	5w3(3.8*3.5) 5HW020RB3.5

TEMWELL CORPORATION

Performance-TTW3893A-575M

0806022CD



CH1 MARKER LIST

1	575.000MHz	-39.487	dB
2	583.333MHz	-7.205	dB
3	566.750MHz	-7.723	dB
4	525.000MHz	-0.201	dB
5	625.000MHz	-0.175	dB

CH2 MARKER LIST

1	575.000MHz	-4.332	dB
2	583.333MHz	-7.302	dB
3	566.750MHz	-7.377	dB
4	525.000MHz	-58.832	dB
5	625.000MHz	-48.184	dB