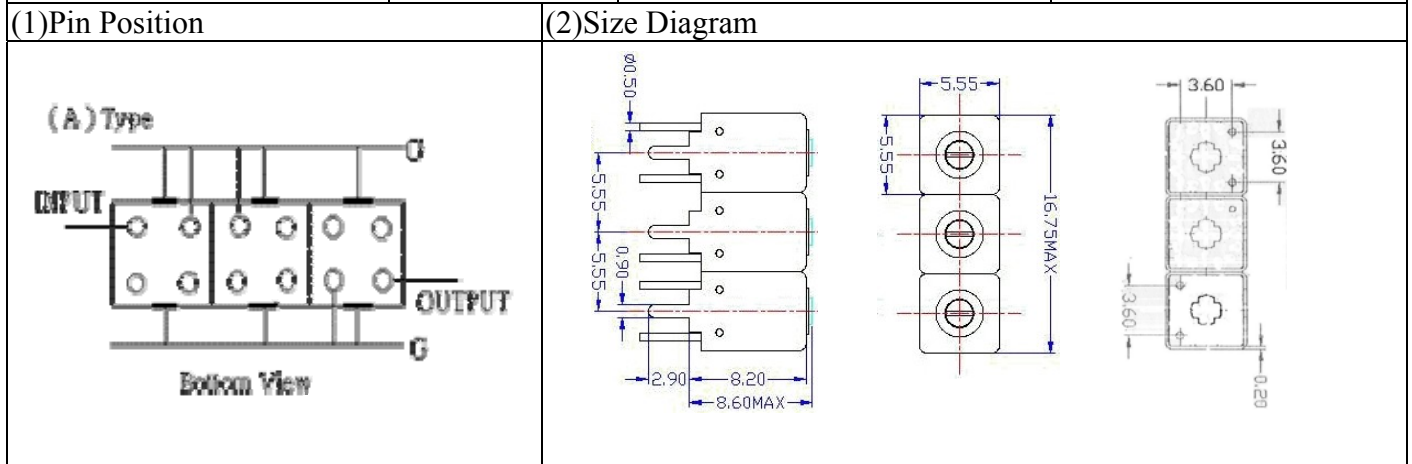


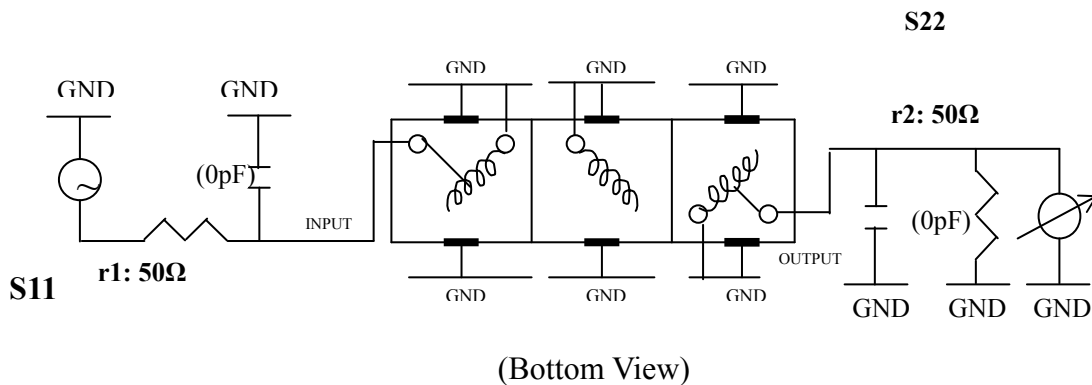
# VHF UHF Helical Filter Specification Sheet

|                      |           |                             |               |
|----------------------|-----------|-----------------------------|---------------|
| Customer Name        |           | Temwell's Part No.          | TTW3892A-525M |
| Approval No. /dated  | 0806021CD | Acceptable Specify Fo Range | 501~550MHz    |
| Work Instruction No. | 0806021CD | Date                        | June.13.2007  |



| (3) Electric Characteristic  |             | Item | Specify        | Performance    |
|------------------------------|-------------|------|----------------|----------------|
| Center Freq.(Fo) +/- 0.5 %   |             |      | 525 MHz        | 525 MHz        |
| Tunable Range:               |             |      | 525±5 MHz      | 525±5 MHz      |
| Insertion Loss               |             | Typ. | 4.5 dB         | 3.65 dB        |
| -3 dB Bandwidth              |             | Typ. | 10 MHz         | 15.0 MHz       |
| Sensitivity<br>(Attenuation) | Fo -50 MHz  | Typ. | 48 dBc         | 51 dBc         |
|                              | Fo +50 MHz  | Typ. | 43 dBc         | 46 dBc         |
|                              | Fo - ( )MHz | Typ. | dBc            | dBc            |
|                              | Fo +( )MHz  | Typ. | dBc            | dBc            |
| Return Loss                  |             | Min. | 12 dB          | 34.9 dB        |
| Ripple                       |             |      | < 1 dB         | dB             |
| Impedance                    |             |      | In / Out : 50Ω | In / Out : 50Ω |
| (4) Torque for Tuning Screw  |             |      | > 60gf • cm    |                |
| (5) Temperature Condition:   |             |      |                |                |
| Operating Temperature        |             |      | 0°C ~ +60°C    |                |
| Storage Temperature          |             |      | -20°C ~ +70°C  |                |
| (6) Input Power              |             |      | >0.5Watt       |                |

(7) Measuring Circuit: ※Easy to match Impedance S11/S22 50Ω by parallel with about( 0 pF) / ( 0 pF).



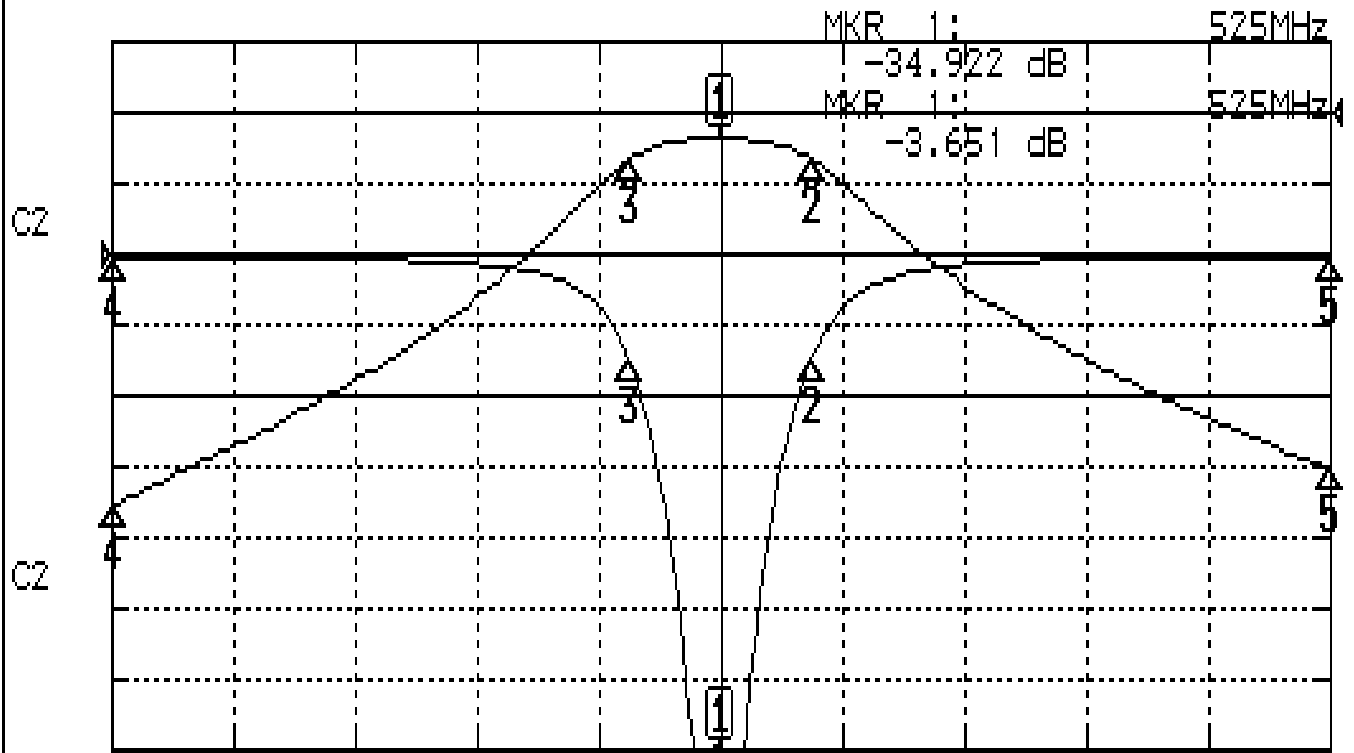
|           |            |            |                             |
|-----------|------------|------------|-----------------------------|
| Approval  | Supervisor | Designer   | Aperture size               |
| C.Y.Chang | C.S.Chang  | P.H.Chiang | 5w3(3.8*3.5)<br>5HW020RB3.5 |

TEMWELL CORPORATION

# Performance-TTW3892A-525M

## 0806021CD

**CH1** S11                      LOG MAG                      REF 0.000 dB                      5.000 dB/  
**CH2** S21                      LOG MAG                      REF 0.000 dB                      10.000 dB/



CENTER 525MHz

[ 10.00 dBm ]

SPAN 100MHz

### CH1 MARKER LIST

|    |            |         |    |
|----|------------|---------|----|
| 1: | 525.000MHz | -34.952 | dB |
| 2: | 532.500MHz | -7.418  | dB |
| 3: | 517.500MHz | -7.443  | dB |
| 4: | 475.000MHz | -0.189  | dB |
| 5: | 575.000MHz | -0.175  | dB |

### CH2 MARKER LIST

|    |            |        |    |
|----|------------|--------|----|
| 1: | 525.000MHz | -3.651 | dB |
| 2: | 532.500MHz | -0.000 | dB |
| 3: | 517.500MHz | -0.000 | dB |
| 4: | 475.000MHz | -0.434 | dB |
| 5: | 575.000MHz | -0.343 | dB |