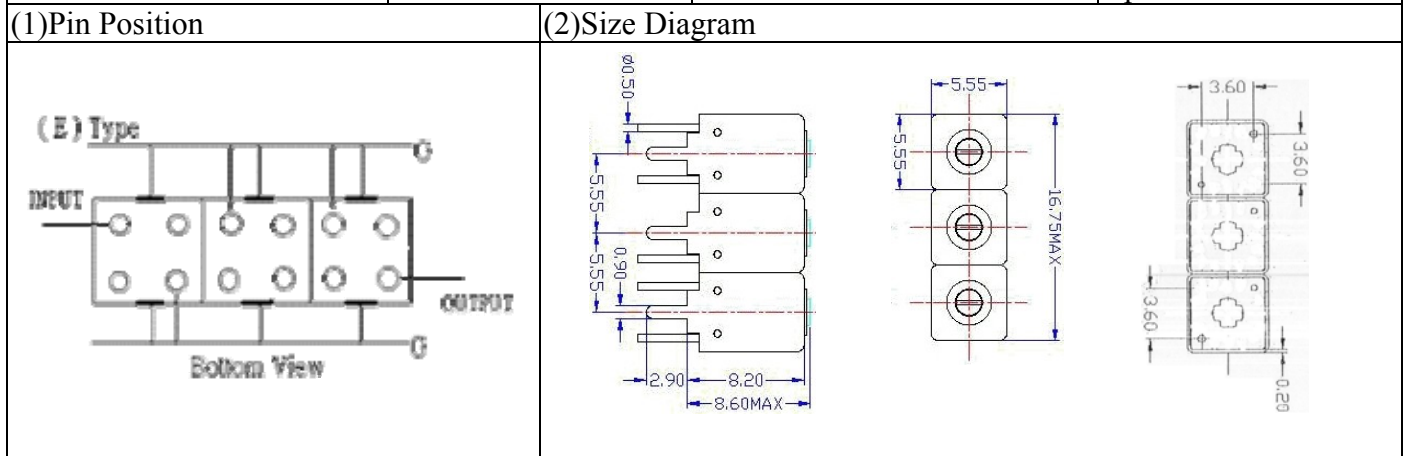


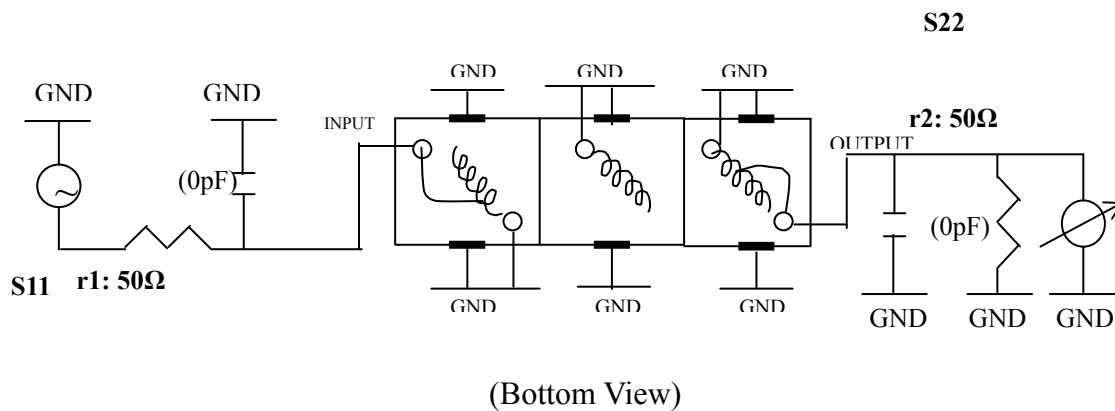
VHF UHF Helical Filter Specification Sheet

Customer Name		Temwell's Part No.	TTW3886E-1830M
Approval No. /dated	0804066APR	Acceptable Specifit Fo Range	1801~1850MHz
Work Instruction No.	0804066CD	Date	Apr.30.2008



(3) Electric Chararistic			
Item		Specify	Performance
Center Freq.(Fo) +/- 0.5 %		1830 MHz	1830 MHz
Tunable Range:		1830±5 MHz	1830±5 MHz
Insertion Loss		Typ. 2.0 dB	1.45 dB
-3 dB Bandwidth		Typ. 208 MHz	223.5 MHz
Sensitivity (Attenuation)	Fo - 400 MHz	Typ. 41 dB	44 dB
	Fo + 400 MHz	Typ. 22 dB	25 dB
	Fo - ()MHz	Typ. dB	dB
	Fo +()MHz	Typ. dB	dB
Return Loss		Min. 12 dB	16.0 dB
Ripple		< 1 dB	dB
Impedance		In / Out : 50 Ω	In / Out : 50 Ω
(4) Torque for Tuning Screw		> 60gf · cm	
(5) Temperature Condition:			
Operating Temperature		0°C ~ +60°C	
Storage Temperature		-20°C ~ +70°C	
(6) Input Power		> 0.5Watt	

(7) Measuring Circuit: ※Easy to match Impedance S11/S22 50Ω/ by parallel with about(0 pF) / (0 pF).

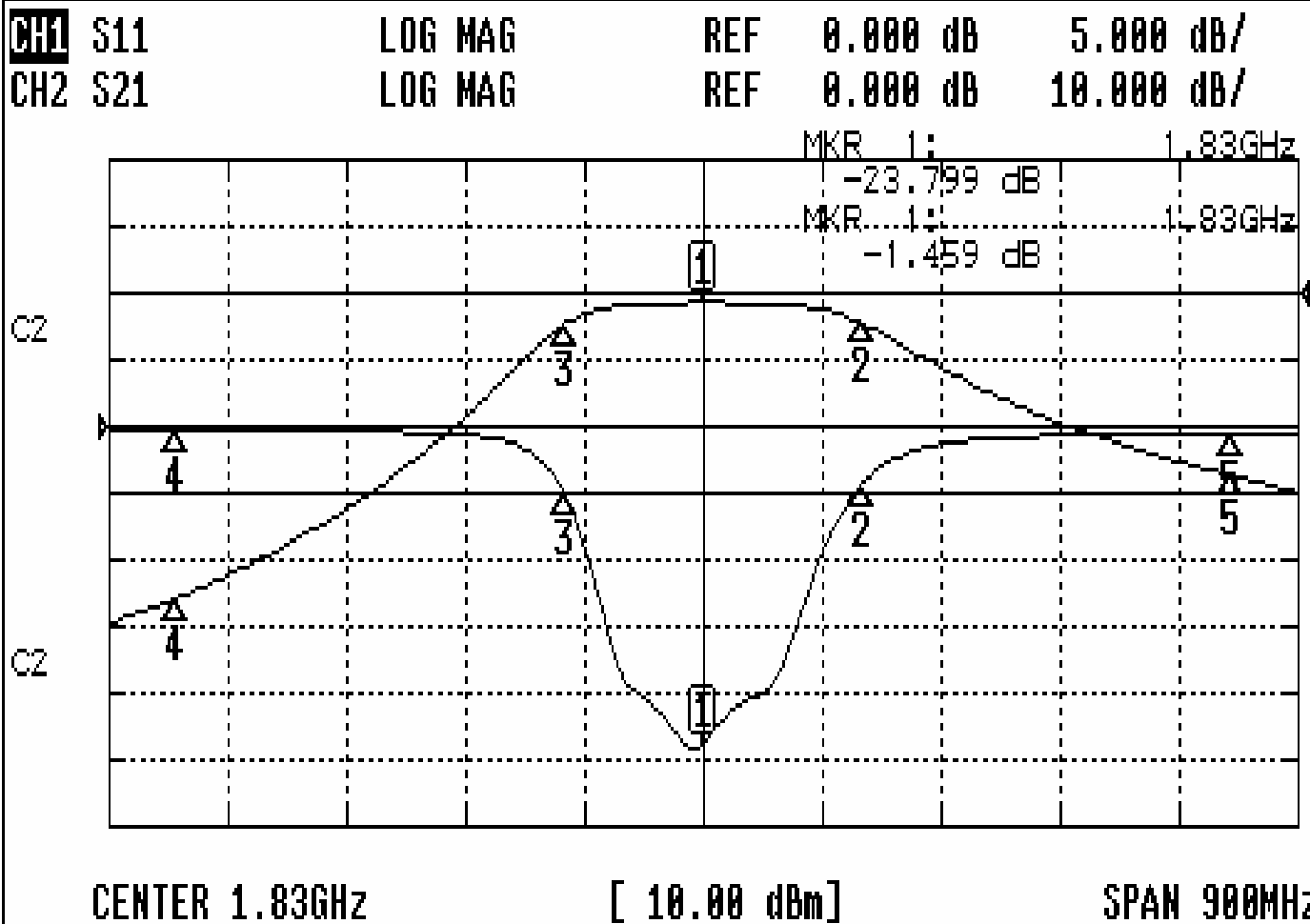


Approval	Supervisor	Designer	Aperture size
C.Y.Chang	C.S.Chang	P.H.Chiang	5W3(3.8*5.1) 5HW046RB4.5

TEMWELL CORPORATION

Performance-TTW3886E-1830M

0804066CD



CH1 MARKER LIST

1:	1.830	000GHz	-23.799	dB
2:	1.949	250GHz	-4.504	dB
3:	1.725	750GHz	-5.066	dB
4:	1.430	000GHz	-0.305	dB
5:	2.230	000GHz	-0.544	dB

CH2 MARKER LIST

1:	1.830	000GHz	-1.459	dB
2:	1.949	250GHz	-4.448	dB
3:	1.725	750GHz	-4.504	dB
4:	1.430	000GHz	-45.782	dB
5:	2.230	000GHz	-27.393	dB