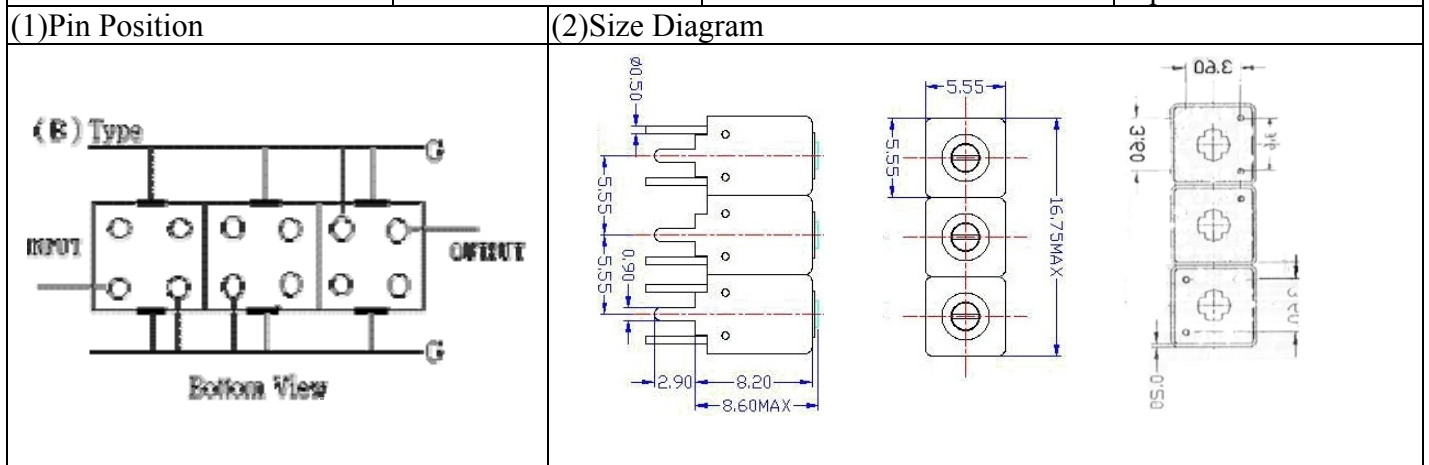


# VHF UHF Helical Filter Specification Sheet

Multi-Diplexer Code	TP01	Temwell's Part No.	TTW3869B-2035M
Approval No. /dated	0606012APR	Acceptable Specify Fo Range	2001-2050 MHz
Work Instruction No.	0606012DC	Date	Sep.04.2006



(3) Electric Character

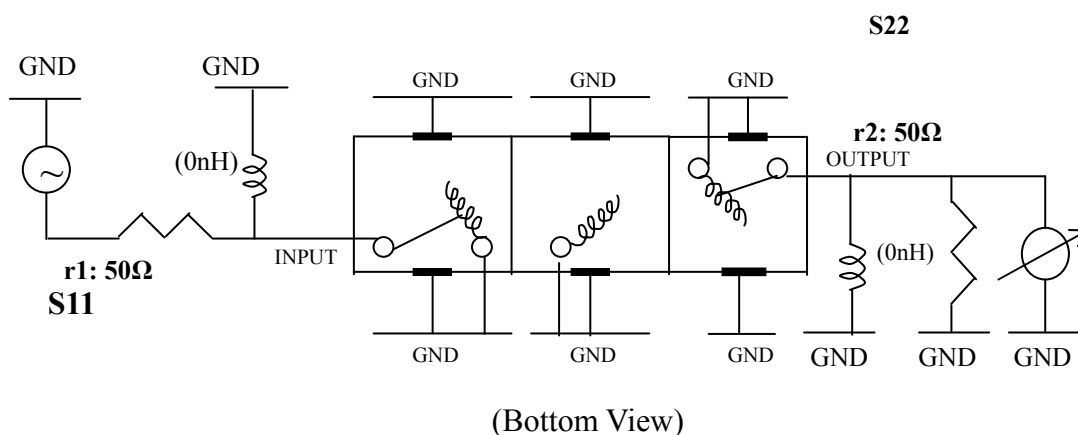
Item	Specify	Performance
Center Freq.(Fo) +/- 0.5 %	2035 MHz	2035 MHz
Tunable Range:	2035±5 MHz	2035±5 MHz
Insertion Loss	Typ. 2.0 dB	1.35 dB
-3 dB Bandwidth	Typ. 256 MHz	273.4 MHz
Sensitivity (Attenuation)	Fo - 500 MHz	Typ. 45 dBc
	Fo + 500 MHz	Typ. 22 dBc
	Fo - ( )MHz	Typ. dBc
	Fo + ( )MHz	Typ. dBc
Return Loss	Min. 12 dB	20.6 dB
Ripple	< 1 dB	dB
Impedance	In / Out : 50 Ω	In / Out : 50 Ω
(4) Torque for Tuning Screw	> 60gf · cm	

(5) Temperature Condition:

Operating Temperature	0°C ~ +60°C
Storage Temperature	-20°C ~ +70°C

(6) Input Power

(7) Measuring Circuit: ※Easy to match Impedance S11/S22 50Ω by parallel with about(0nH) / (0nH).



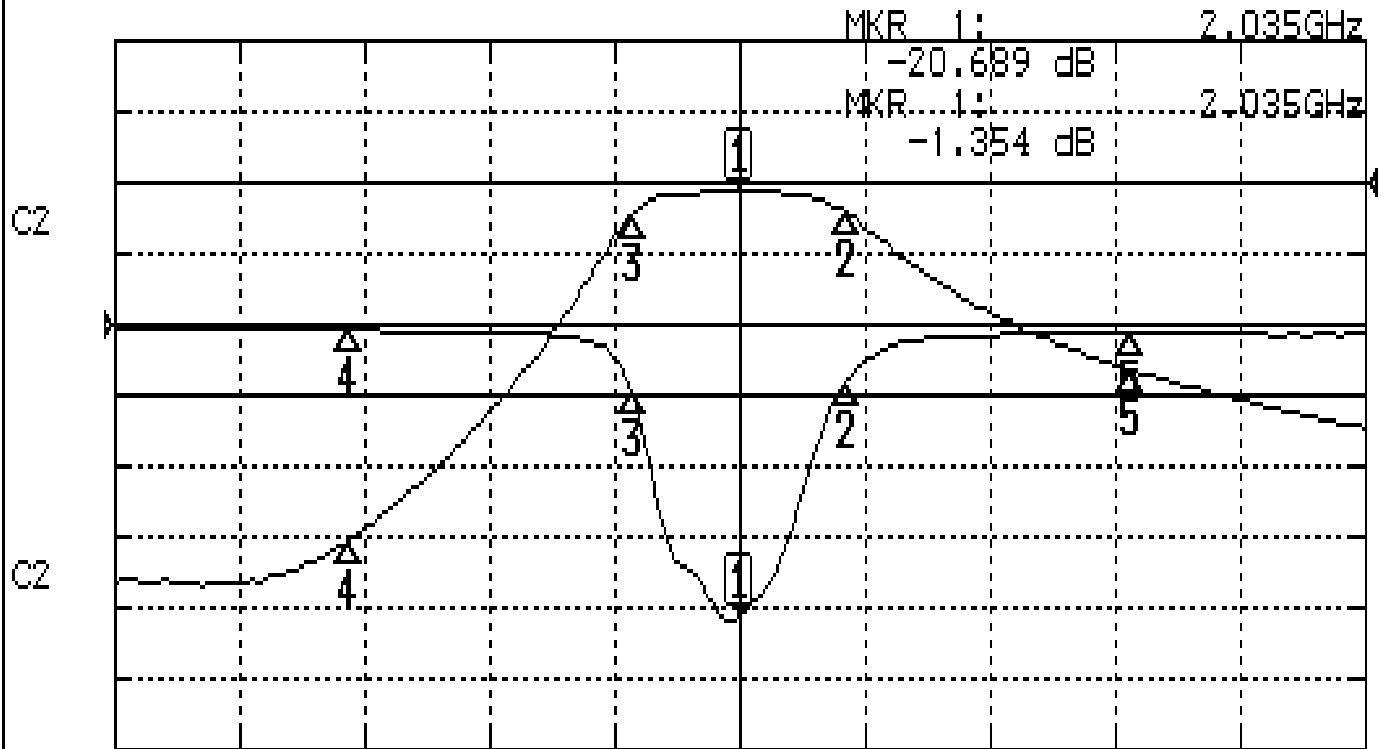
Approval	Supervisor	Designer	Aperture size
C.Y.Chang	C.S.Chang	P.H.Chiang	5W3(3.8*5.1)(5.16) 5HW046RB4

TEMWELL CORPORATION

# Performance-TTW3869B-2035M

## 0606012DC

CH1 S11 LOG MAG REF 0.000 dB 5.000 dB/  
CH2 S21 LOG MAG REF 0.000 dB 10.000 dB/



CENTER 2.035GHz

[ 10.00 dBm]

SPAN 1.6GHz

### CH1 MARKER LIST

1:	2.035 000GHz	-20.689 dB
2:	2.171 000GHz	-4.082 dB
3:	1.897 666GHz	-4.778 dB
4:	1.535 000GHz	-0.411 dB
5:	2.535 000GHz	-0.706 dB

### CH2 MARKER LIST

1:	2.035 000GHz	-1.354 dB
2:	2.171 000GHz	-4.324 dB
3:	1.897 666GHz	-4.351 dB
4:	1.535 000GHz	-50.295 dB
5:	2.535 000GHz	-26.380 dB