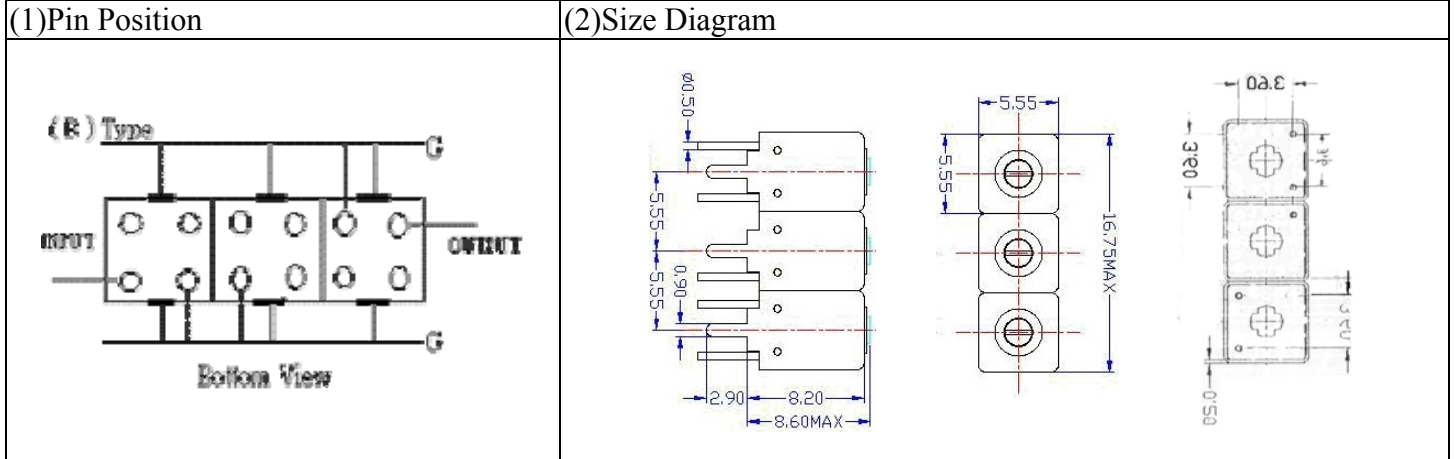


VHF UHF Helical Filter Specification Sheet

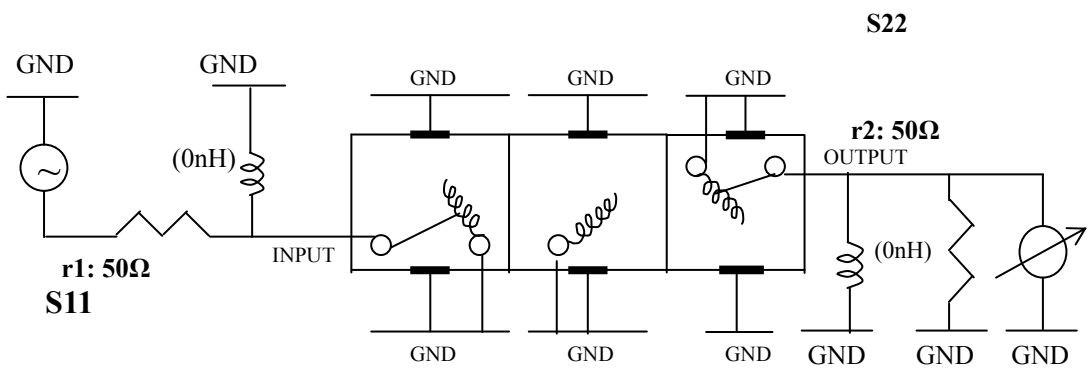
Customer Name		Temwell's Part No.	TTW3867B-2025M
Approval No. /dated	0605113APR	Acceptable Specify Fo Range	2001-2050 MHz
Work Instruction No.	0605113DC	Date	Jun.02.2006



(3) Electric Character			
Item	Specify	Performance	
Center Freq.(Fo) +/- 0.5 %	2025 MHz	2025 MHz	
Tunable Range:	2025±5 MHz	2025±10 MHz	
Insertion Loss	Typ. 2.0 dB	1.10 dB	
-3 dB Bandwidth	Typ. 238 MHz	255.3 MHz	
Sensitivity (Attenuation)	Fo - 400 MHz	Typ. 40 dBc	43 dBc
	Fo + 400 MHz	Typ. 17 dBc	20 dBc
	Fo - ()MHz	Typ. dBc	dBc
	Fo +()MHz	Typ. dBc	dBc
Return Loss	Min. 12 dB	29.0 dB	
Ripple	< 1 dB	dB	
Impedance	In / Out : 50 Ω	In / Out : 50 Ω	
(4) Torque for Tuning Screw	> 60gf • cm		

(5) Temperature Condition:	
Operating Temperature	0°C ~ +60°C
Storage Temperature	-20°C ~ +70°C
(6) Input Power	> 0.5Watt

(7) Measuring Circuit: ※Easy to match Impedance S11/S22 50Ω by parallel with about(0nH) / (0nH).



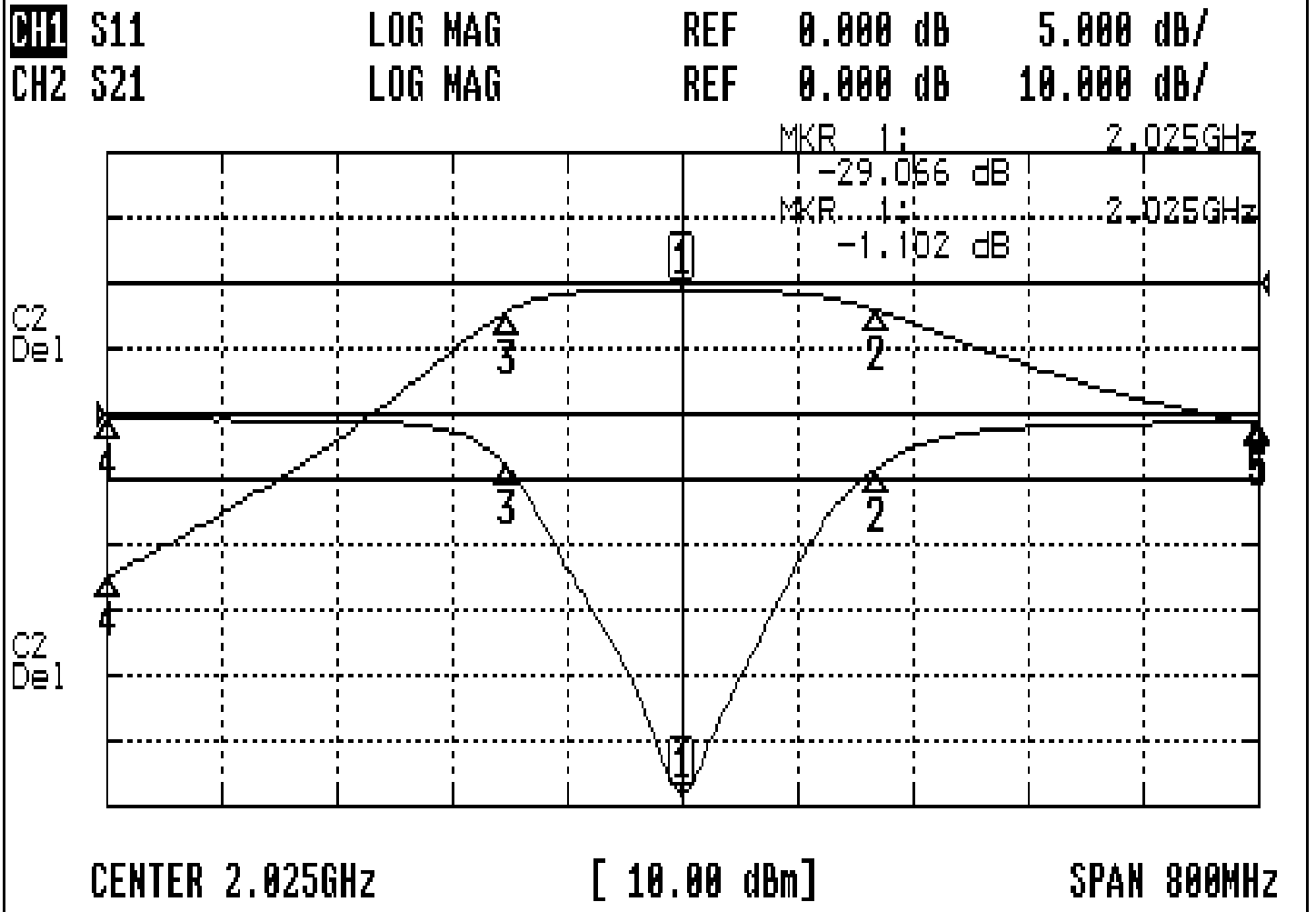
(Bottom View)

Approval	Supervisor	Designer	Aperture size
C.Y. Chang	C.S. Chang	C.S. Chang	5W3S(3.8*5.1)(5.14) 5HW046RB4

TEMWELL CORPORATION

Performance-TTW3867B-2025M

0605113DC



CH1 MARKER LIST

1:	2.025	000GHz	-29.066	dB
2:	2.159	666GHz	-4.084	dB
3:	1.904	333GHz	-4.170	dB
4:	1.625	000GHz	-0.392	dB
5:	2.425	000GHz	-0.680	dB
6:				
7:				
8:				
9:				
10:				

CH2 MARKER LIST

1:	2.025	000GHz	-1.102	dB
2:	2.159	666GHz	-4.140	dB
3:	1.904	333GHz	-4.155	dB
4:	1.625	000GHz	-44.911	dB
5:	2.425	000GHz	-21.691	dB
6:				
7:				
8:				
9:				
10:				