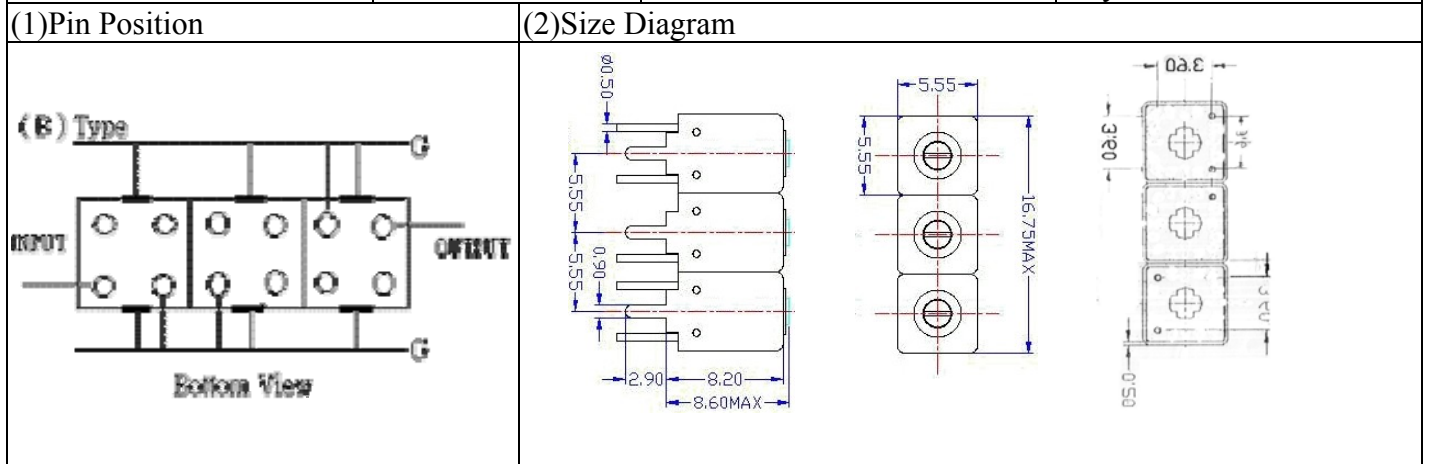
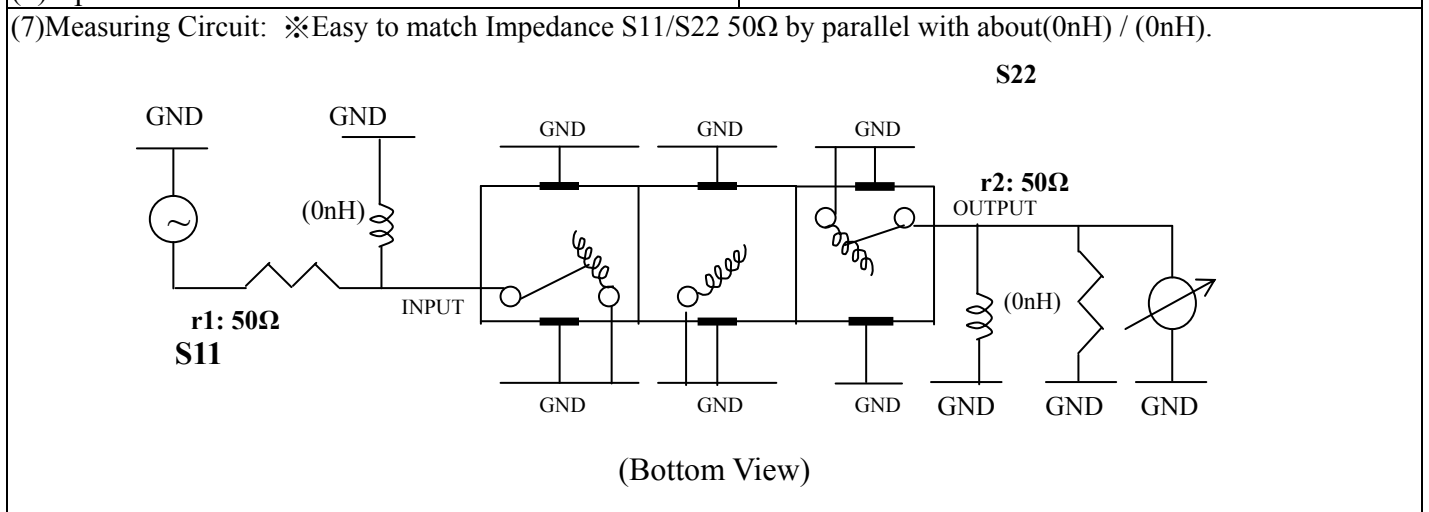


VHF UHF Helical Filter Specification Sheet

Customer Name		Temwell's Part No.	TTW3865B-2500M
Approval No. /dated	0605102APR	Acceptable Specify Fo Range	2451-2500 MHz
Work Instruction No.	0605102DC	Date	May.26.2006



(3) Electric Character			
Item		Specify	Performance
Center Freq.(Fo) +/- 0.5 %		2500 MHz	2500 MHz
Tunable Range:		2500±5 MHz	2500±5 MHz
Insertion Loss		Typ. 2.5 dB	1.47 dB
-3 dB Bandwidth		Typ. 254 MHz	275.0 MHz
Sensitivity (Attenuation)	Fo - 500 MHz	Typ. 47 dBc	50 dBc
	Fo + 500 MHz	Typ. 23 dBc	26 dBc
	Fo - ()MHz	Typ. dBc	dBc
	Fo + ()MHz	Typ. dBc	dBc
Return Loss		Min. 12 dB	24.6 dB
Ripple		< 1 dB	dB
Impedance		In / Out : 50 Ω	In / Out : 50 Ω
(4) Torque for Tuning Screw		> 60gf · cm	
(5) Temperature Condition:			
Operating Temperature		0°C ~ +60°C	
Storage Temperature		-20°C ~ +70°C	
(6) Input Power		> 0.5Watt	



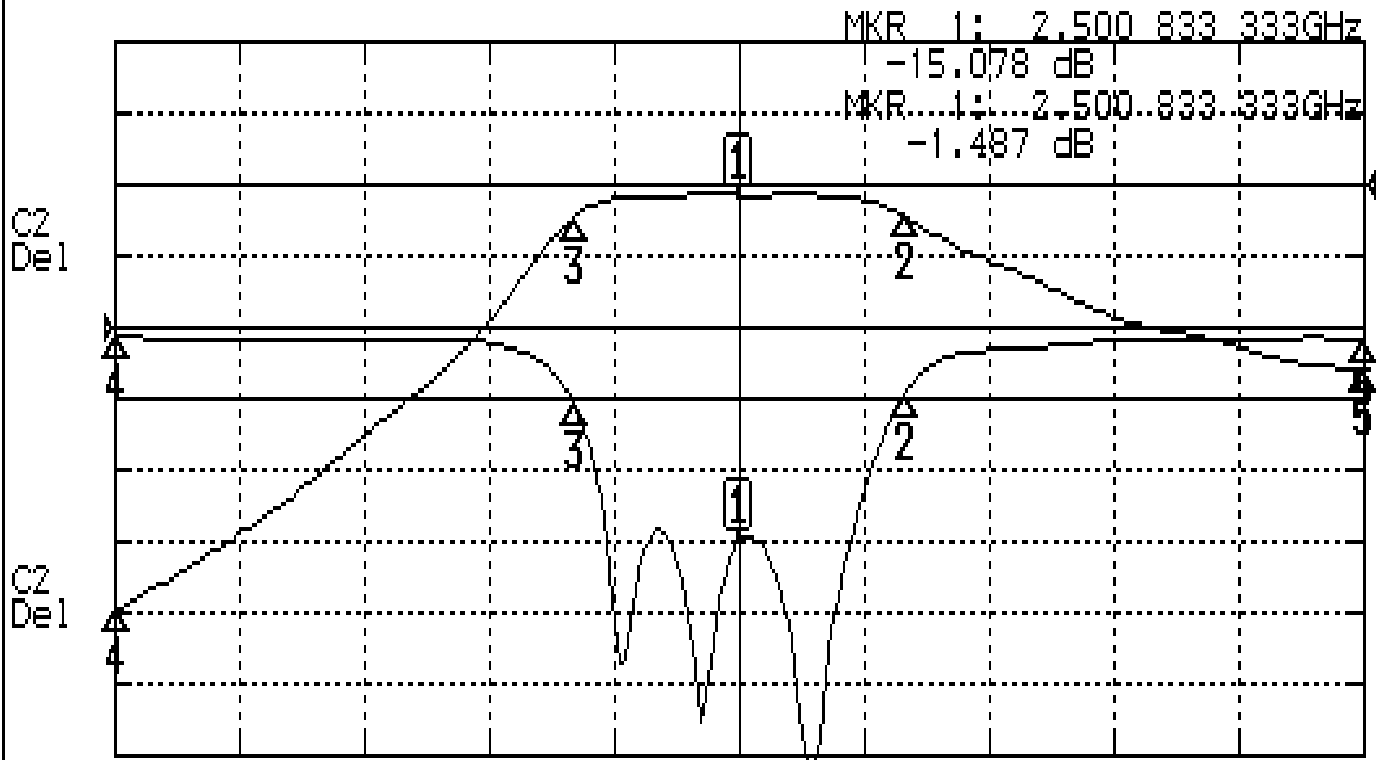
Approval	Supervisor	Designer	Aperture size
C.Y.Chang	C.S.Chang	C.S.Chang	5W3S(3.8*5.1)(5.13) 5HW046RB4

TEMWELL CORPORATION

Performance-TTW3865B-2500M

0605102DC

CH1 S11 LOG MAG REF 0.000 dB 5.000 dB/
CH2 S21 LOG MAG REF 0.000 dB 10.000 dB/



CENTER 2.5GHz

[10.00 dBm]

SPAN 1GHz

CH1 MARKER LIST

1:	2.500	833GHz	-15.069	dB
2:	2.632	500GHz	-4.699	dB
3:	2.369	166GHz	-5.476	dB
4:	2.000	000GHz	-0.683	dB
5:	3.000	000GHz	-0.842	dB

CH2 MARKER LIST

1:	2.500	833GHz	-1.487	dB
2:	2.632	500GHz	-4.462	dB
3:	2.369	166GHz	-4.502	dB
4:	2.000	000GHz	-59.047	dB
5:	3.000	000GHz	-25.805	dB