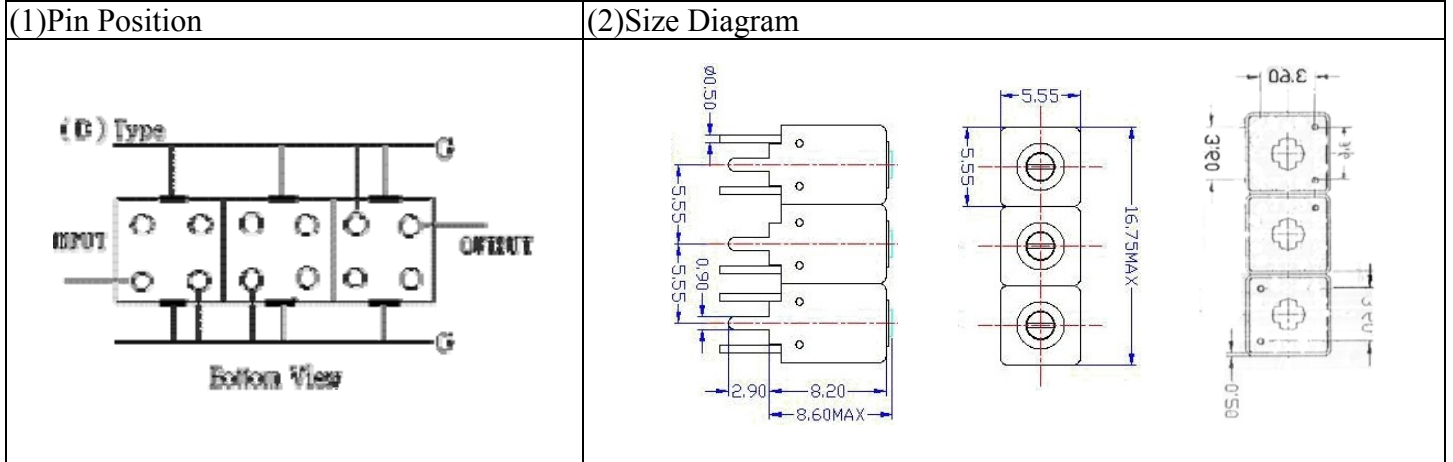


VHF UHF Helical Filter Specification Sheet

Customer Name		Temwell's Part No.	TTW3862B-2600M
Approval No. /dated	0605062APR	Acceptable Specify Fo Range	2501-2600 MHz
Work Instruction No.	0605062DC	Date	May.23.2006



Item		Specify		Performance	
Center Freq.(Fo) +/- 0.5 %		2600	MHz	2600	MHz
Tunable Range:		2600±5	MHz	2600±5	MHz
Insertion Loss		Typ. 2.5	dB	1.58	dB
-3 dB Bandwidth		Typ. 159	MHz	180.5	MHz
Sensitivity (Attenuation)	Fo - 400 MHz	Typ. 43	dBc	46	dBc
	Fo + 400 MHz	Typ. 25	dBc	28	dBc
	Fo - ()MHz	Typ.	dBc		dBc
	Fo +()MHz	Typ.	dBc		dBc
Return Loss		Min. 12	dB	27.5	dB
Ripple		< 1	dB		dB
Impedance		In / Out : 50 Ω		In / Out : 50 Ω	

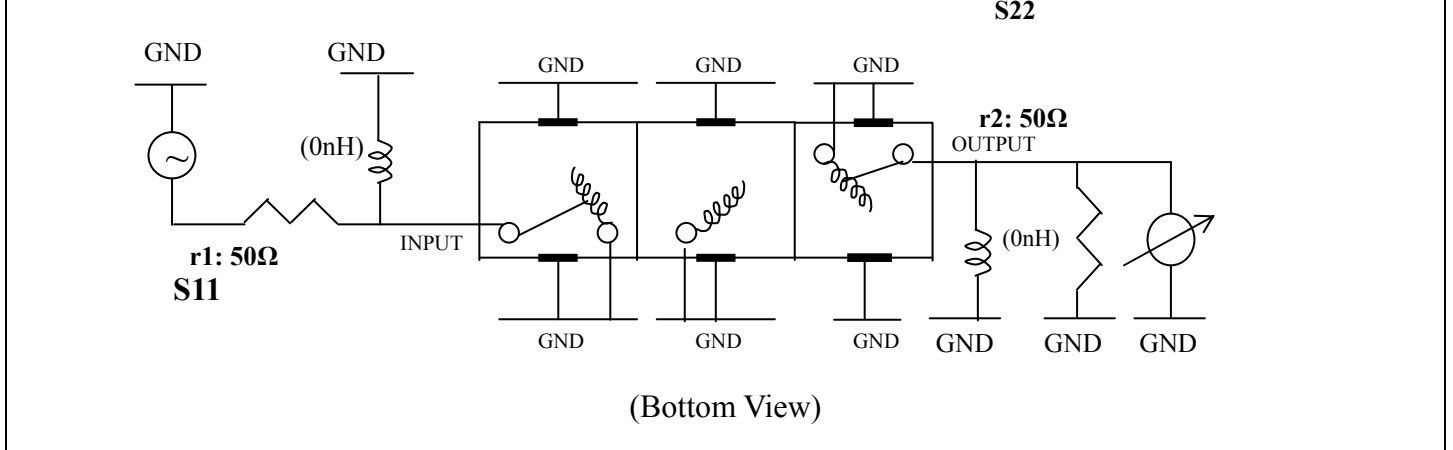
(4) Torque for Tuning Screw > 60gf · cm

(5) Temperature Condition:

Operating Temperature 0°C ~ +60°C

Storage Temperature -20°C ~ +70°C

(6) Input Power > 0.5Watt

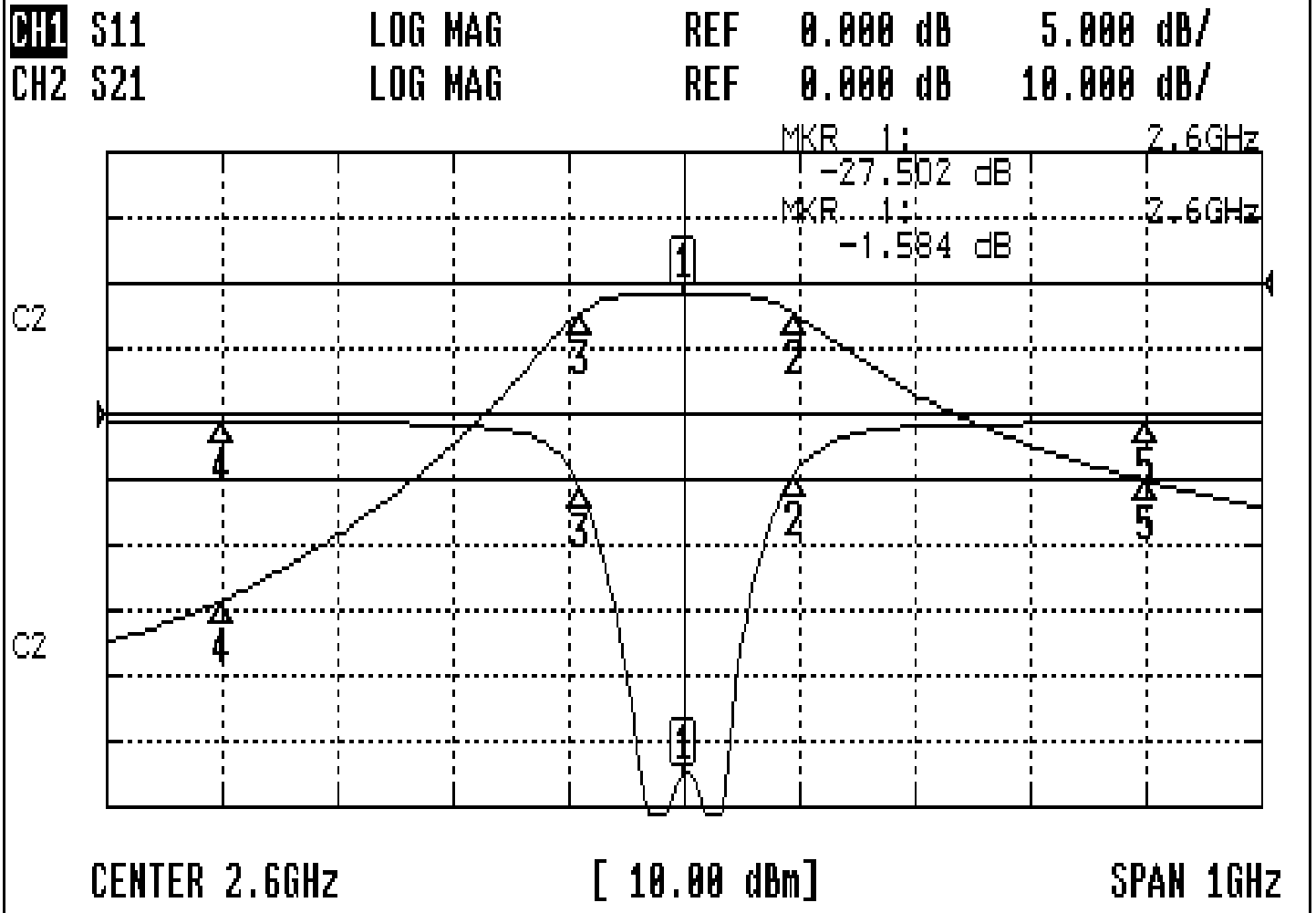


Approval	Supervisor	Designer	Aperture size
C.Y. Chang	C.S. Chang	C.S. Chang	5W3S(3.8*5.1)(5.12) 5HW046RB3.2

TEMWELL CORPORATION

Performance-TTW3862B-2600M

0605062DC



CH1 MARKER LIST

1:	2.600	000GHz	-27.502	dB
2:	2.695	000GHz	-4.806	dB
3:	2.510	000GHz	-5.526	dB
4:	2.200	000GHz	-0.541	dB
5:	3.000	000GHz	-0.702	dB

CH2 MARKER LIST

1:	2.600	000GHz	-1.584	dB
2:	2.695	000GHz	-4.594	dB
3:	2.510	000GHz	-4.524	dB
4:	2.200	000GHz	-48.346	dB
5:	3.000	000GHz	-30.185	dB